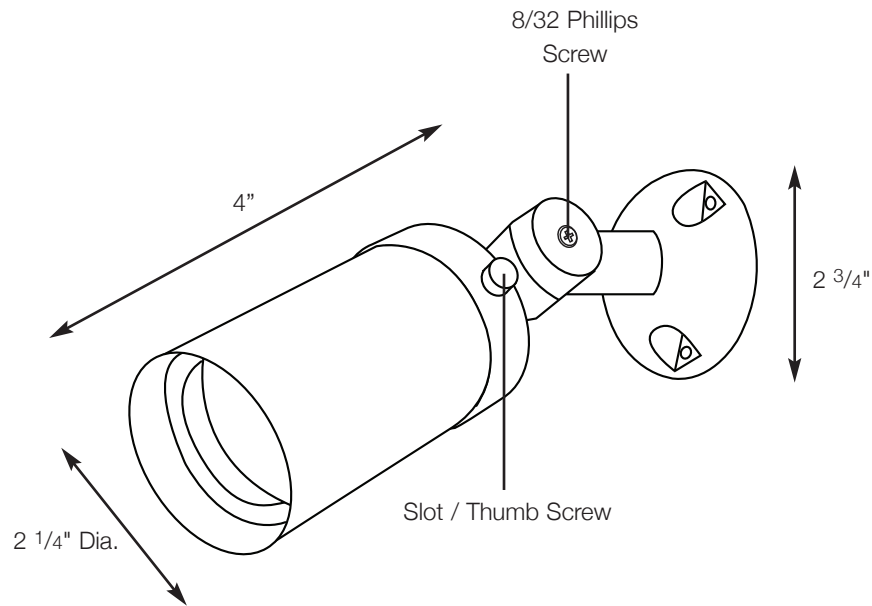


SPJ-FDL-15

Directional Down Light



- MODEL:** SPJ-FDL-15
- MATERIAL :** Solid Brass or Copper
- FINISH :** Specify
- ELECTRICAL :** 12v
- SOCKET :** Bi-Pin
- LAMP :** MR-16 50W Max. (not included)
- MOUNTING :** Surface Mount

DRAWN BY: MMC

BASE DESIGN: SPJ

DATE: 01-10-10

SPJ LIGHTING INC.

2107 Chico Avenue
South El Monte, CA 91733
(800) 469-3637 FAX: (626) 433-4839