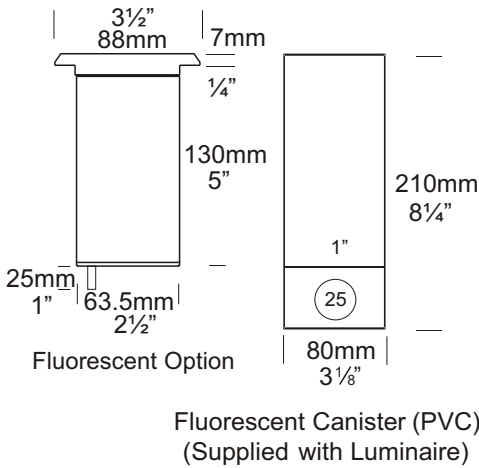
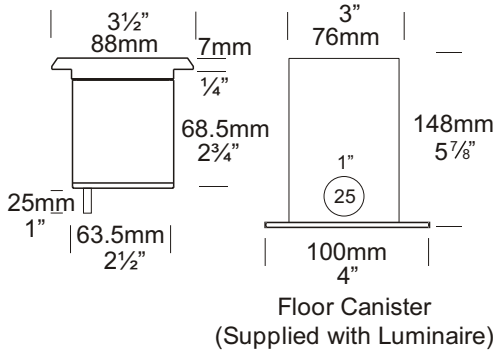


Floor Lite Square

- Cat. No. FLSQ
- Cat. No. FLSQFL
- Cat. No. FLSQGU
- Cat. No. FLSQMH20
- Cat. No. FLSQMH35



The Floor Lite Square has a 88mm x 88mm (3 1/2" x 3 1/2") flange and has a low profile of 7mm. The square shape makes it ideal for mounting in tiled areas and it can be walked upon without being damaged. There are five flange designs: Clover, Grill, Louvre (45 degree angle), Spot, Cross and is supplied with a mounting canister.

A 110/240 volt fluorescent option is available which offers excellent light output, low energy usage and very low heat generation, this changes the luminaire to an IP66 rating.

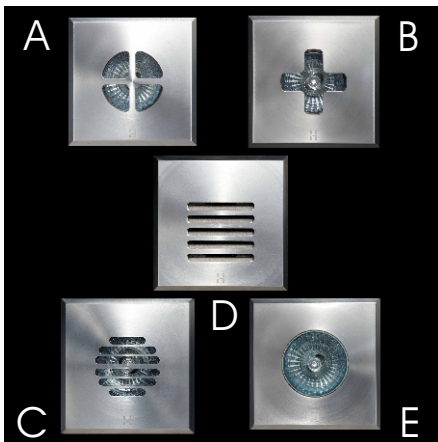
A GU10 version of this luminaire is also available for line voltage lamps. The Floor Lite Square Metal Halide is extremely energy efficient, outputting 2-3 times the light of a halogen lamp, and uses a GX10 20 or 35 watt lamp.

Ordering Information

Luminaire Type	Material	Accessories
FLSQ - Floor Lite Square	SS - 316 Stainless Steel	CJK150 - Cable Joint Kit Canss - 316 Stainless Steel Canister LENSSTEPF - Frost Lens Dkcan - Deck Canister FLcan - Floor Lite Canister FL - Fluorescent Option GU - GU10 Option MH - Metal Halide Option Flucan - Fluorescent Canister HCL - Hex Cell Adaptor
Flange		
CL - Clover (A)		
CR - Cross (B)		
GR - Grill (C)		
LU - Louvre (D)		
SP - Spot (E)		

For LED refer to page 10.4

- Ordering Example: FLLUSQ SS - Floor Lite Louvre (D) Square in 316 Stainless Steel
- FLSPSQFL SS - Floor Lite Spot (E) Square in 316 Stainless Steel with fluorescent option
- FLSPSQGU SS - Floor Lite Spot (E) Square GU10 in 316 Stainless Steel
- FLSPSQMH20 SS - Floor Lite Spot (E) Square Metal Halide 20 watt in 316 Stainless Steel
- (Accessories ordered separately)



HUNZA™ PURE OUTDOOR LIGHTING

HUNZA FACTORY
130 Felton Mathew Ave
Glen Innes
Auckland 1072
New Zealand

Ph: 64-9-528 9471
Fax: 64-9-528 9361
hunza@hunza.co.nz
www.hunza.co.nz

INTERNATIONAL CONTACTS:
www.hunza.co.nz/contacts.php

Specifications may change without notice.
Manufactured in New Zealand.
© 2011 Hunza Holdings Ltd.

Ver 1.4

Luminaire Construction

CNC machined from:

Body:

316 Stainless Steel 63.5mm (2½") x 9mm (11/32"). End cap - solid 316 stainless steel 63.5mm (2½") rod.

Flange:

90mm x 90mm (3½" x 3½") solid 316 stainless steel bar.

Mounting

The luminaire is pushed into the canister and is held by two silicone "O" rings: Canss, FLcan, FLucan are cast into concrete, brick, concrete block, etc.

Dkcan: Mounted into wooden decks, wooden frames, etc.

Features

Lens:

3mm (1/8") clear tempered shatter resistant glass.

Lifetime Warranty.

Gasket:

Silicone, iron impregnated 220°C (428°F).

Lamp Holders:

GU5.3 & GU10 - 350°C (662°F) ceramic multi contact lamp holder with 250°C (480°F) teflon cables.

Metal Halide GX10 - 350°C (662°F) ceramic multi contact lamp holder with 250°C (480°F) teflon cables.

Fluorescent:

E27 PET 210°C (410°F) base mount. E26 available in the USA.

Accessories:

Cable Joint Kit (Cat. CJK150)

Not approved for USA/Canada.

Deck Canister (Cat. Dkcan).

Frosted Lens (Cat. LENSSTEPF).

Floor Canister (Cat. Flcan).

Fluorescent Canister PVC (Cat. Flucan).

Fluorescent Option 8watt 240 volt (Cat. FL) IP66. (Note: Not for USA/Canada).

GU10 Option (Cat. GU).

Metal Halide Option (Cat. MH).

Hex Cell Louvre Adaptor (Cat. HCL) (Note: Supplied as standard for USA/Canada).

316 Stainless Canister for use in lime stone etc. (Cat. Canss).

Standards

EN60598

IP66/IP68



UL1838

Luminaire Weight

SS 1.175kg (2lb 9oz)

Fluorescent IP66

SS 1.810kg (3lb 15oz)

Power Supply

HUNZA™ Inground or Wall Mount Transformer: not included.

Metal Halide - 230-240 volt ac 50Hz built in ballast

USA and Canada:

HUNZA™ Wall Mount Transformer: not included.

Metal Halide - 120 volt ac 60Hz built in ballast

Luminaire: supplied with

MR16 GU5.3 - 20 watt lamp max.

GU10 - GU10 25 or 35 watt lamp max.

LED - Refer sheet no. 10.4

Metal Halide - GX10 20 or 35 watt lamp

Fluorescent

E27 - 110/240 volt self ballasted lamp.

USA and Canada:

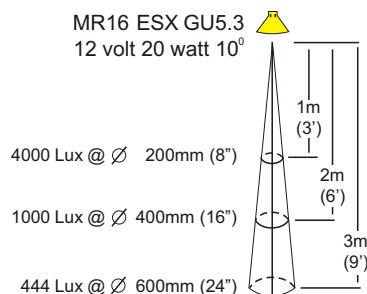
MR16 GU5.3 20 watt lamp max.

GU10 Halogen - Lamp not supplied

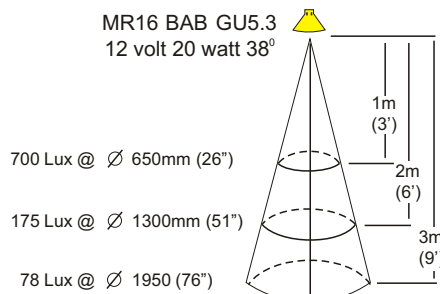
LED - Refer sheet no. 10.4

Metal Halide - GX10 20 or 35 watt lamp

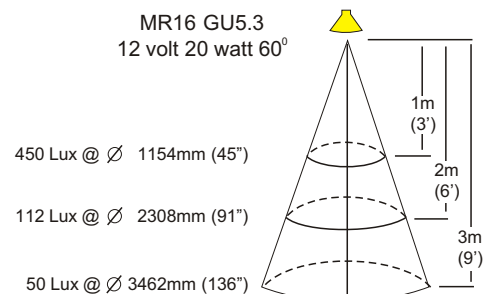
MR16 ESX GU5.3
12 volt 20 watt 10°



MR16 BAB GU5.3
12 volt 20 watt 38°



MR16 GU5.3
12 volt 20 watt 60°



These diagrams refer to the Spot Lite Flange (E) only.

HUNZA™ PURE OUTDOOR LIGHTING

HUNZA FACTORY
130 Felton Mathew Ave
Glen Innes
Auckland 1072
New Zealand

Ph: 64-9-528 9471
Fax: 64-9-528 9361
hunza@hunza.co.nz
www.hunza.co.nz

INTERNATIONAL CONTACTS:
www.hunza.co.nz/contacts.php

Specifications may change without notice.
Manufactured in New Zealand.
© 2011 Hunza Holdings Ltd.

Ver 1.4