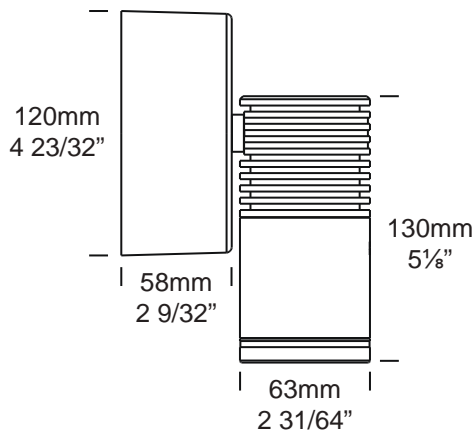


Down Lite HIGH POWER

Cat. No. DL/HP



PURE LED
Pure Performance

The Down Lite High Power is suitable for mounting on timber, masonry, stone, etc, non-adjustable for one way wall washing, can be mounted with the lamp directed up or down. Water resistant with a 120mm diameter mounting base, complete with stainless steel screws.

This luminaire is machined from solid aluminium with a UV stable "E" powder coated finish. It features a clear, tempered, flush glass lens and high temperature silicon gaskets.

The Hunza HIGH POWER system uses Cree MT-G 2 chips for maximum performance and long life. Power supply options include a choice of a 120/240 volt (Retro) driver or an external remote (series connection) driver. The HIGH POWER system incorporates Hunza's Plug-and-Play system for easy replacement of the LED engine. Four beam angles, and a choice of 3000K, 4000K and 5000K colour temperatures are available.

Ordering Information

Luminaire	Driver mA	Beam Angle	Colour Temp	Accessories	Material/Finish
DL/HP	S - Series R - 110 or 240v Retro	15 - 15° TIR Lens 25 - 25° TIR Lens 38 - 38° TIR Lens 60 - 60° TIR Lens	2 - 2700K 3 - 3000K 4 - 4000K 39 - 3000K (90+ CRI)	GG - Glare Guard STEPF - Frosted Lens HCL - Hex Cell Louvre Kit	BK - Black BZ - Bronze STAR - Silver Star WH - White

Ordering Example: DL/HP S 15 3 GG BK

HUNZA™ PURE
OUTDOOR
LIGHTING

HUNZA FACTORY
130 Felton Mathew Ave
Saint Johns
Auckland 1072
New Zealand

Ph: 64-9-528 9471
Fax: 64-9-528 9361
hunza@hunza.co.nz
www.hunza.co.nz

INTERNATIONAL CONTACTS:
www.hunza.co.nz/contacts.php

Specifications may change without notice.
Manufactured in New Zealand.
© 2014 Hunza Holdings Ltd.

Luminaire Construction

CNC machined from:

High corrosion resistant 63.5mm (2½") x 10mm (25/64") aluminium.

HP body - solid aluminium 63.5mm (2½") rod with chromate substrate and high UV resistant polyester "E" powder coat colours Black, Bronze, Silver Star, White.

Luminaire Weight

Alum .870kg (1lb 14oz)

Luminaire Features

Lens

10mm (3/8") extra clear low iron flush fit shatter resistant glass. Lifetime Warranty.

Gasket

Silicone, iron impregnated 220°C (428°F)

Accessories

Frosted Lens (Cat. STEPF)
Glare Guard (Cat. GG)
Hex Cell Louvre Kit (Cat. HCL)

Mounting

A mounting plate is fixed to the wall using two screws and the luminaire is fitted to the mounting plate.

Technical Information

Standards

AS/NZS 61046
IP56/IP66 UL 1598

LED

Cree MTG 2 Plug and Play, field replaceable LED board.

Lumen Output: 1000lm at 2080mA

Lumens Per watt: 83 minimum

CRI Warm White (3000K): 85+

Colour Temp: 2700, 3000 or 4000K

High CRI Option (3000K): 90+
(lumen output decreases by 15%)

Power Supply

External (Series) Driver (per head)

Constant current driver

Output: 6vdc at 2080mA maximum

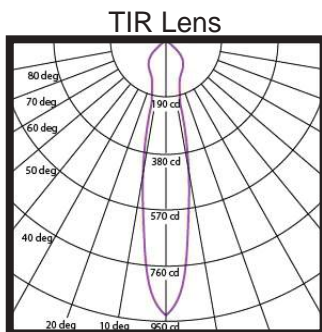
Retro 110/240 Volt Driver

Hunza™ Retro Driver

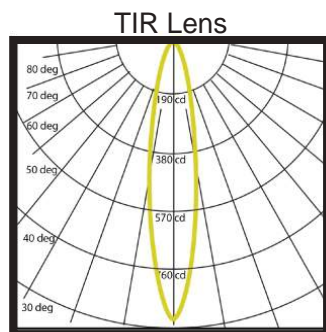
Input: 90-305vac, 2080mA

0-10 volt dimming

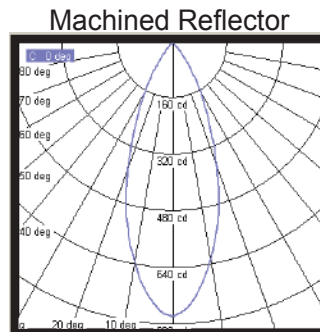
Reflector Beam Angles



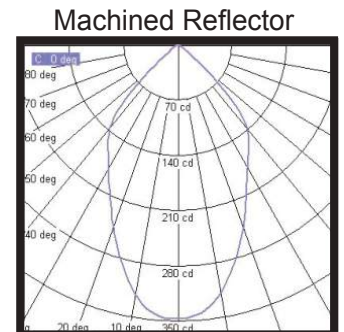
15° Angle
3000 K



25° Angle
3000 K



38° Angle
3000 K



60° Angle
3000 K