

Deck Lite

Cat. No. DK

Cat. No. DKG9



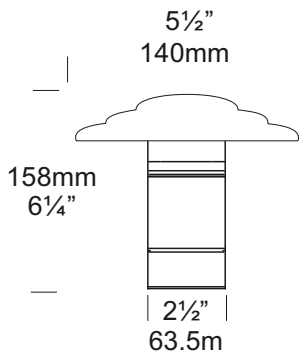
The Deck Lite is designed to be mounted onto flat surfaces e.g. wooden and concrete decks, tiled areas, brick walls, etc. Light is emitted on a horizontal plane through UV stable acrylic lens with antiglare mesh around 360 degrees via a 5, 10 or 20 watt halogen bi-pin lamp, and does not project any vertical light due to the anti-glare hood.

This luminaire is machined from a choice of solid aluminium with a UV stable powder coated finish, 316 stainless steel or solid copper with a clear, tempered, flush glass lens and high temperature silicon gaskets.

A G9 version of this luminaire is also available for line voltage lamps.

Ordering Information

| Luminaire Type | Material/Finish | Accessories |
|----------------|--|--|
| DK - Deck Lite | BK - Black BZ - Bronze GN - Green STAR - Silver Star WH - White WB - Birch DG - Dark Grey OG - Olive Green RG - Beige PR - Primrose COP - Copper SS - 316 Stainless Steel | CJK150 - Cable Joint Kit G9 - G9 option For LED refer to page 10.4 |



Ordering Example: DK BK - Deck Lite in Black

DKG9 COP - Deck Lite G9 in Copper

CJK150 - Cable Joint Kit

(Accessories ordered separately)

HUNZA™ PURE
OUTDOOR
LIGHTING

HUNZA FACTORY
130 Felton Mathew Ave
Glen Innes
Auckland 1072
New Zealand

Ph: 64-9-528 9471
Fax: 64-9-528 9361
hunza@hunza.co.nz
www.hunza.co.nz

INTERNATIONAL CONTACTS:
www.hunza.co.nz/contacts.php

Specifications may change without notice.
Manufactured in New Zealand.
© 2011 Hunza Holdings Ltd.

Ver 1.4

Luminaire Construction

CNC machined from one of the following metals:

High corrosion resistant 63.5mm (2½") x 10mm (25/64") aluminium. End cap - solid aluminium 63.5mm (2½") rod, with cromate substrate and high UV resistant polyester powder coat

Hood 260mm (10¼") x 1.2mm (1/16") hand spun aluminium or copper.

Colours Black, Bronze, Green, Silver Star, White, Birch, Dark Green, Olive Green, Beige, Primrose.

Copper 63.5mm (2½") x 10mm (13/32"). End cap - solid copper 63.5mm (2½") rod.

316 Stainless Steel 9mm (11/32"). End cap - solid 316 stainless steel 63.5mm (2½") rod.

Mounting

Via internal flange with three bolts to wooden deck or concrete.

Features

Lens:

UV stable polycarbonate with anti-glare mesh.

Anti Glare Hood:

Diameter 140mm (5½"). No upward light or glare projected.

Gasket:

Silicone, iron impregnated 220°C (428°F).

Lamp Holder:

G4 350°C (662°F) ceramic multi contact lamp holder with 250°C (480°F) teflon cables.

G9 - 280°C (536°F) ceramic lamp holder with 250°C (480°F) teflon cables.

Accessories:

Cable Joint Kit (Cat. CJK150).
Not approved for USA /Canada.
G9 Option (Cat. G9).

Standards

IP66



UL1838

Luminaire Weight

Alum .600kg (1lb 5oz)
Cop 1.160kg (2lb 3oz)

Power Supply

HUNZA™ Inground or Wall Mount
Transformer: not included.

USA and Canada:

HUNZA™ Wall Mount Transformer:
not included.

Lamp Type

G4 Bi-Pin 5, 10, 20 watt lamp
max.

G9 - 25 watt lamp max.

LED - Refer sheet no. 10.4

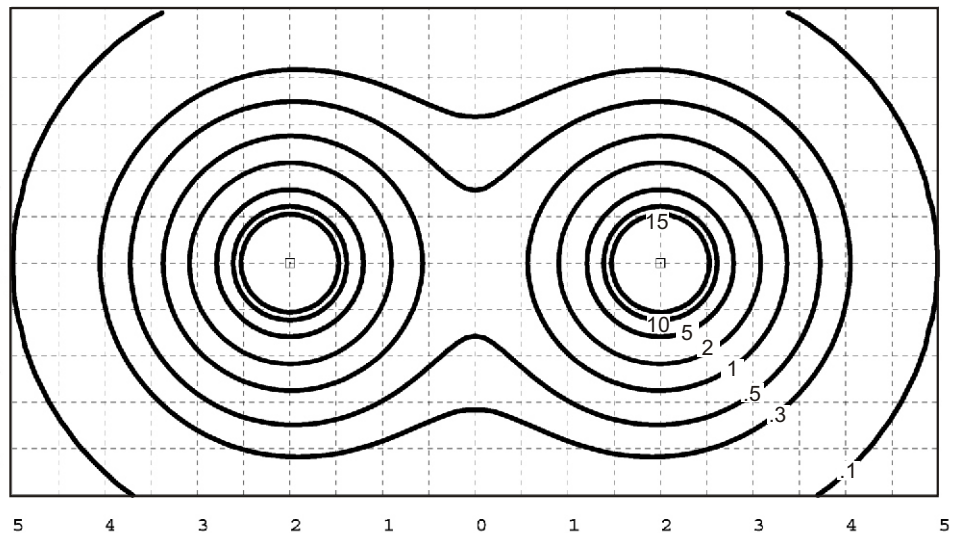
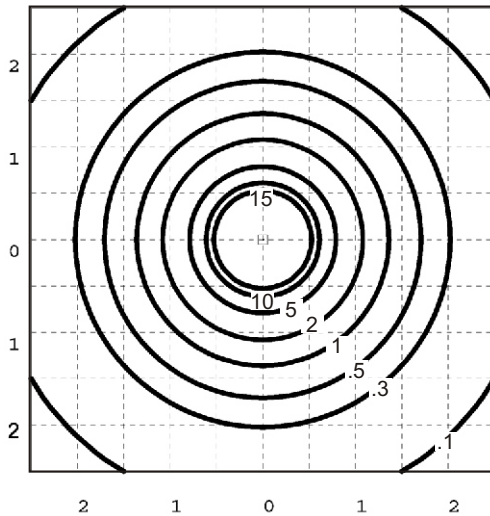
USA and Canada:

G4 Bi-Pin 5, 10, 20 watt lamp
max.

G9 - 25 watt lamp max.

LED - Refer sheet no. 10.4

Deck Lite 20 watt G4 Bi-Pin lamp - Lens height 100mm (4")



Isolux Lumens Plot - Footcandles = Isolux figures divided by 10.76

HUNZA™ PURE
OUTDOOR
LIGHTING

HUNZA FACTORY
130 Felton Mathew Ave
Glen Innes
Auckland 1072
New Zealand

Ph: 64-9-528 9471
Fax: 64-9-528 9361
hunza@hunza.co.nz
www.hunza.co.nz

INTERNATIONAL CONTACTS:
www.hunza.co.nz/contacts.php

Specifications may change without notice.
Manufactured in New Zealand.
© 2011 Hunza Holdings Ltd.

Ver 1.4