

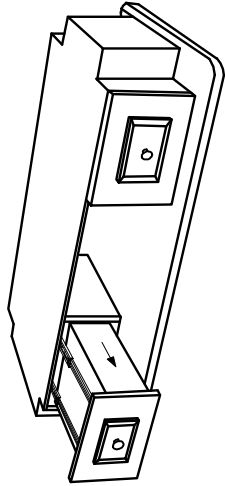
INSTRUCTIONS

Manicure Table

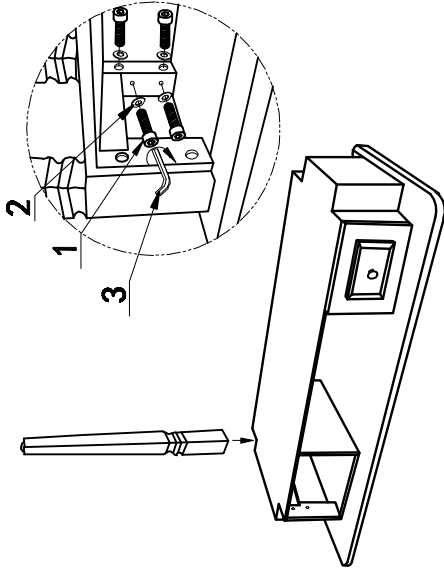
Before assembling and using the Manicure Table, please read the following Diagrams carefully.

5718

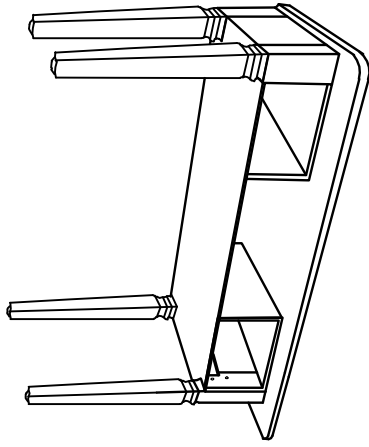
1



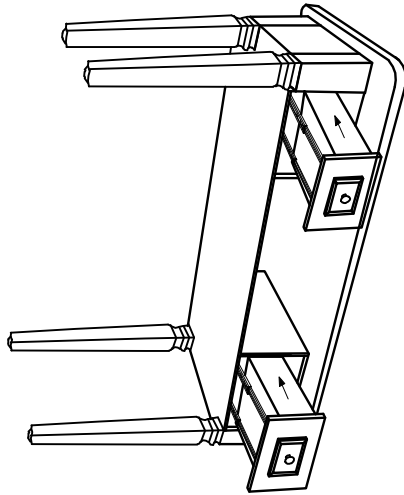
2



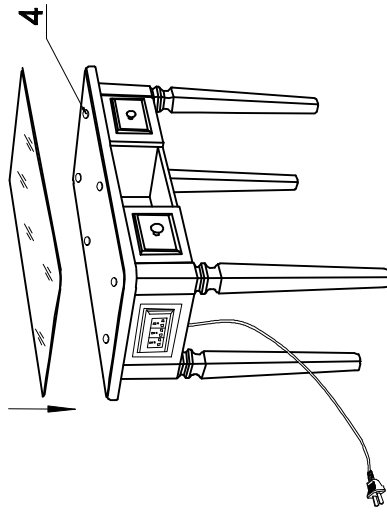
3



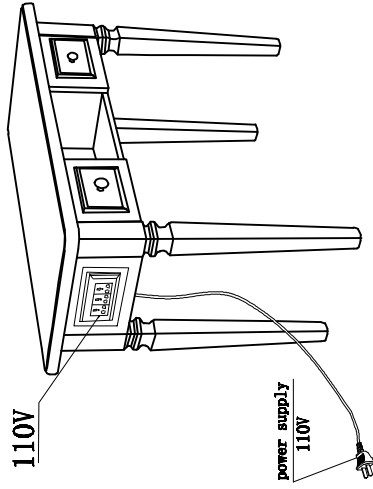
4



5



6



1



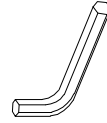
MSX30
Screws-16pcs

2



Washers-16pcs

3



Wrench-1pc

4



rubber Washers-6pcs

5718