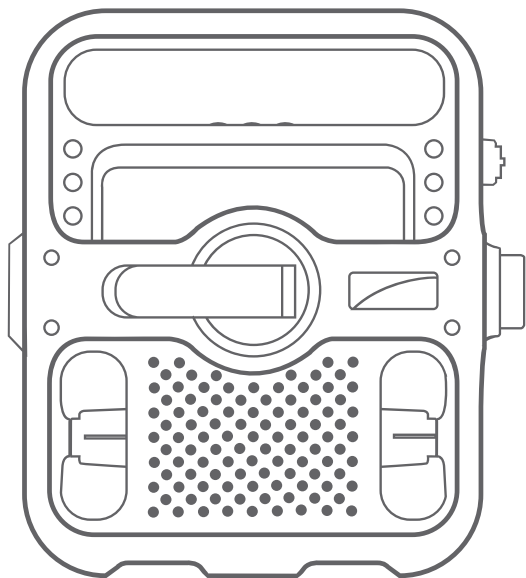


SOLARLINKFR600

Self-powered Digital AM/FM/SW/NOAA/S.A.M.E. Weather Radio with Flashlight, Siren, Solar Power and Cell Phone Charger



DO YOU NEED HELP?

If you need help, please contact us, Monday-Friday, 8:00 a.m.-4:30 p.m., North American Pacific Time. 1-800-872-2228 from the U.S.; 1-800-637-1648 from Canada; 650-903-3866, worldwide; FAX: 650-903-3867; web site, www.etoncorp.com; Etón Corporation, 1015 Corporation Way, Palo Alto, CA 94303, USA

WARNING

- Do not expose this appliance to rain or moisture.
- Do not submerge or expose for extended period to water.
- Protect from high humidity and rain.
- Unplug immediately if liquid has been spilled or object have fallen into the apparatus.
- Clean only with a dry cloth. Do not use detergents or chemical solvents as this might damage the finish.
- Unplug and disconnect external antennas (not included) during lightning storms.
- Do not remove cover [or back].
- Refer servicing to qualified service personnel.

Environment

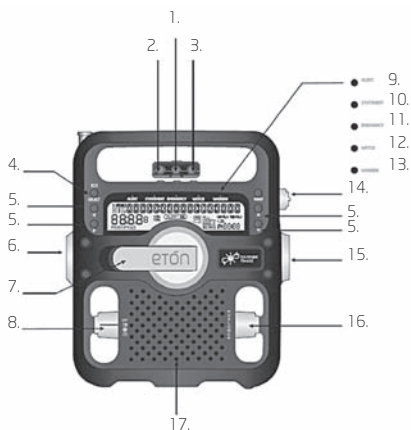
Disposal

According to the European Directive 2002/96/EC all electrical and electronic products must be collected separately by a local collection system. Please act according to your local rules and do not dispose of your old products with your normal household waste.



Please dispose of all types of batteries per your Government, State or Local rules and/or regulations. If you are unsure, please call the appropriate local authority to find out how to dispose of them safely and help protect the environment.

LOCATION OF CONTROLS



- 1) Snooze: 5 Min Snooze
- 2) Alarm ON/OFF: activate/deactivate alarm function
- 3) ALERT ON/OFF:open/close alert bell
- 4) Select Button
- 5) Direction Buttons
- 6) Flashlight
- 7) Hand Crank
- 8) Multifunctional Knob
- 9) Alert Indicator Light
- 10) Statement Indicator Light
- 11) Emergency Indicator Light
- 12) Watch Indicator Light
- 13) Warning Indicator Light

- 14) Power Supply Knob
- 15) Band Selecting Knob
- 16) Volume Adjusting Knob
- 17) Speaker



- 18) PHONE CHARGER:USB Jack for Charging the Cellphone
- 19) DC in:USB Jack for charging the Radio(small)
- 20) DC in Jack (Adaptor)
- 21) Earphone Jack
- 22) Audio Jack
- 23) Battery Compartment

POWERING THE FR600

The FR600 can be powered in a variety of ways including 3 AA batteries, the internal rechargeable Nickel-Metal-Hydrate battery, the solar panel, an AC adapter/charger and a USB cord with a mini-USB plug on one end and a regular USB on the other, plugged in to a computer (turned on) or an AC adapter with a USB socket. These methods are described below.

Note: The Power Supply Knob and the Band Selecting Knob are on the right side of the radio. The Power Supply Knob is on top and the Band Selecting Knob is on the bottom. The radio is turned OFF with the Band Selecting Knob placed in the OFF position. Turn the radio on by positioning this knob to any band.

USING 3 AA BATTERIES

Install 3 AA alkaline batteries using the polarity diagram inside the battery compartment (on the back of the radio). To turn on the radio using AA batteries, select BATTERY with the Power Supply Knob. It will play for about 4 to 5 hours, at low volume.

USING THE INTERNAL RECHARGABLE Ni-MH BATTERY

The Ni-MH battery comes with the radio. It is in the battery compartment and needs to be plugged into the socket next to it. Once it's plugged in, select the DYNAMO position with the Power Supply Knob. To partially charge the battery, turn OFF the radio with the Band Selecting Knob, select the DYNAMO position with the power selector switch and turn the crank at two turns per second, for 90 seconds; the radio will play at low volume for about 5 minutes, then crank again. Turn the radio on with the Band Selecting Knob.

USING THE SOLAR PANEL TO RECHARGE THE Ni-MH BATTERY

Charging with solar charges the Ni-MH rechargeable battery. Turn the radio OFF with the Band Selecting Knob. Select SOLAR with the Power Supply Knob. Place the radio in direct sunlight (not through a window or in the shade), with the sun shining directly on the solar panel. After a few minutes of charging you may be able to play the radio while it's charging by turning it on with the Band selection Knob; if not, give it a little more time to 3 charge. Leave it in direct

sunlight for 8 to 10 hours to get a full charge. After charging, if you take it out of the sunlight, be sure to select DYNAMO with the Power Supply Knob.

USING AN AC ADAPTER/CHARGER OR USB CORD TO PLAY THE RADIO OR TO RECHARGE THE NI-MH BATTERY

To purchase an AC adapter/charger (not included), order part# FR500-ACA-US by calling 1-800-793-6542. Generically it has an output of 5 to 6 Volts DC, positive polarity and no more than 300mA current capability.

Turn OFF the radio with the Band Selecting Knob. Plug the AC adapter/charger (not included) into the left socket, labeled 'DC IN 5V', under the right rubber cover on the back of the radio. Select the DYNAMO position with the Power Supply Knob. Turn on the radio by selecting a band with the Band Selecting Knob. The red light above the crank should turn on, noting that the AC adapter is plugged in. If your rechargeable Ni-MH battery is plugged in, it starts charging as long as you select DYNAMO. To get a full charge, charge it for about 8 hours.

If an AC adapter is plugged in with the rechargeable battery connected and DYNAMO selected, if there is an AC power failure, the radio will automatically play using the rechargeable battery. If the AC adapter is plugged in and BATTERY is selected, the rechargeable Ni-MH battery doesn't charge. If both types of batteries are disconnected, the AC adapter will play the radio with DYNAMO or BATTERY selected.

Purchase a USB cord with a mini-USB plug on one end and a regular USB plug on the other end, from a local electronics store or on the Internet. If using a USB cord, plug one end into the mini-USB socket under the left rubber cover on the back of the radio, and

the other end into a computer's USB socket (with the computer turned on) or an AC adapter with a USB socket. Operating from a USB cord has the same characteristics as an AC adapter, with the following exceptions.

If the USB cord is plugged in with the rechargeable battery and/or AA batteries connected, if there is a failure of the USB power source, power will be taken from the rechargeable battery if DYNAMO is selected or from the AA batteries if BATTERY is selected.

VOLUME CONTROL

Turning the Volume Adjusting Knob (located on the lower right of the radio) clockwise turns up the volume; counterclockwise turns down the volume. Always turn down the volume before using earphones.

CHARGING CELL PHONES (cell phone charging cord not included)

If you revolve the Power Supply Knob to the OFF/PHONE CHARGER position the radio will charge cell phones. Plug the cell phone charging cord into the USB PHONE CHARGER jack at the rear of the radio. Plug the cell phone charging adapter tip into the other end of the cord and then into the jack of the cell phone. Then put the radio in the sun or revolve the hand crank to charge the cell phone. About 10 minutes of cranking results in one or two short emergency calls.

To order a cell phone charging cord and tip for your cell phone, please contact www.igo.com on the web and order a cell phone charging cable and a cell phone charging tip for your brand and model of cell phone.

NOTE: When charging a cell phone via the USB cell phone charger, it is important to turn the crank at least 2 revolutions per second, or until you see the green or orange LED above the crank handle turn on. This is an indication that the phone is receiving enough power from

the radio. Continue to crank at this rate until you are satisfied that an appropriate level of charge has been received by your cell phone. If you decide to stop cranking for whatever reason, please wait at least 5 seconds before beginning to crank again. Not following these instructions may cause damage to your cell phone for which Eton disclaims any liability and will not be held liable for any actual or consequential damages related to this matter.

SETTING THE DATE

1. Revolve the **<Band Selecting Knob>** to the **"OFF"** position.
2. With the radio turned off press the **<MENU>** button shortly to enter the setting menu.
3. Press **<▲>** or **<▼>** shortly to select "SET UP---DATE" option.



4. Press **<SELECT>** shortly once to enter the date setting mode.
5. Press **<◀>** or **<▶>** shortly to select "MONTH--DAY--YEAR" option.



6. Press **<▲>** or **<▼>** shortly to set "MONTH--DAY--YEAR" option.
7. After setting, press **<SELECT>** shortly to save.

SETTING THE CLOCK

1. Revolve the **<Band Selecting Knob>** to the "OFF" position.
2. With the radio turned off press the **<MENU>** button shortly to enter the setting menu.
3. Press **<▲>** or **<▼>** shortly to select "SET UP---TIME" option.



4. Press **<SELECT>** shortly once to enter the time setting mode.
5. Press **<◀>** or **<▶>** shortly to select "HOUR : MINUTE" option.



6. Press **<▲>** or **<▼>** shortly to set "HOUR : MINUTE" option.
7. After setting, press **<SELECT>** shortly to save.

Note: The clock is a 12-hour clock, showing "AM" in the display in the morning, and showing "PM" in the display starting at noon.

SETTING THE BEEPER ALARM

This radio's alarm beeps when it activates.

1. SETTING THE ALARM TIME

1. Revolve the **<Band Selecting Knob>** to the "OFF" position.
2. With the radio turned off press the **<MENU>** button shortly to enter the setting menu.
3. Press **<▲>** or **<▼>** shortly to select "SET UP ALARM--ALM" option.



4. Press **<SELECT>** shortly once to enter the date setting mode.
5. Press **<◀>** or **<▶>** shortly to select "HOUR : MINUTE" option.



- 6) Press **<▲>** or **<▼>** shortly to set "HOUR : MINUTE" option.
- 7) After setting, press **<SELECT>** shortly to save.

2. ACTIVATING AND DEACTIVATING THE ALARM

Press **<ALARM ON/OFF>** shortly to activate or deactivate the alarm.

If the alarm function is activated, the alarm symbol "🔔 AL" and alarm time will appear in the display. When the alarm time is reached, the unit will beep.

If the alarm function is deactivated, the alarm symbol "🔔 AL" and alarm time will disappear from the display.



3. SNOOZE BUTTON

When the alarm activates, pressing the **<SNOOZE>** button shortly deactivates it for 5 minutes ("**ZZZ**" appears in the display), then it starts again.



BROADCAST RECEPTION

1. Select the power supply mode.
2. Select the band:
 - FM Band:** Revolve the **<Band Selecting Knob>** to "FM" position.
 - AM Band:** Revolve the **<Band Selecting Knob>** to "AM" position.
 - SW Band:** Revolve the **<Band Selecting Knob>** to "SW" position.
3. Adjust the volume: Revolve **<Volume Adjusting Knob>** to adjust the volume level.
4. Tuning in stations:
 - Manual Tuning:** Press **<▲>** or **<▼>** shortly to tune.
 - Auto Tuning:** Press and hold **<▲>** or **<▼>** to tune.

Note: When listening to FM, pull up the telescopic antenna all the way. When tuning AM stations the telescopic antenna is not needed and can be lowered.

5. Save stations: While receiving the approving station, press **<MENU>** shortly once, "MEMORY" appears in the display. Press **<◀>** or **<▶>** shortly to select the address for saving. Then press **<SELECT>** shortly to save the station. (**Note:** FM: 20 memories; AM: 10 memories; Sw: 10 memories.)



6. Recall stations: When listening to the radio, press **<◀>** or **<▶>** shortly.
 7. Turn off: Revolve the **<Band Selecting Knob>** to "OFF" position.

SHORTWAVE LISTENING

To learn about shortwave we recommend the two publications below, published yearly and available from major booksellers. Additionally, the Internet is a great resource for learning about shortwave. Type 'shortwave reception' into your favorite search engine.

PASSPORT TO WORLD BAND RADIO Published by International Broadcasting Services (IBS); IBS North America, Box 300, Penn's Park PA 18943. Phone: (215) 598-9018. www.passband.com.

WORLD RADIO TV HANDBOOK Published in the USA by Watson-Guptill Publications, 770 Broadway, 7th Floor, New York, NY 10003-9595. www.watsonguptill.com.

OPTIMIZING SHORTWAVE RECEPTION

Shortwave enables listening to broadcasts over vast distances including other countries and continents. The following information will help you get the best results.

- During the day, frequencies above 13 MHz are usually best.
- At night, frequencies below 13 MHz are usually best.
- Around sunset and sunrise, the entire shortwave range may be good.
- Getting very close to a window and holding the radio improves shortwave reception.

Use the frequency ranges (Bands) below for shortwave broadcast reception:

BANDE	MEGAHERTZ (MHz)	KILOHERTZ (KHz)
120 m	2.300-2.495 MHz	2300- 2495 KHz
90 m	3.20-3.40 MHz	3200- 3400 KHz
75 m	3.90-4.05 MHz	3900- 4050 KHz
60 m	4.750-5.1 MHz	4750- 5100 KHz
49 m	5.8-6.2 MHz	5730- 6300 KHz
41 m	7.1-7.60 MHz	6890-7600 KHz
31 m	9.4-10 MHz	9250-9995 KHz
25 m	11.5-12.2 MHz	11500-12200 KHz
22 m	13.57-13.87 MHz	13570-13870 KHz
19 m	15.000-15.800 MHz	15005-15825 KHz
16 m	17.55-18 MHz	17480-17900 KHz
15 m	18.9-19.02 MHz	18900-19020 KHz
13 m	21.45-21.85 MHz	21450-21850 KHz

RECEPTION OF WEATHER FREQUENCIES

To hear your local weather station, pull up the antenna, turn on the radio and select WB with the band selector. Turn up the volume and press the ▲▼ buttons to hear all 7 weather channels. You'll probably only hear one channel, but if you hear a weather broadcast on more than one, select the strongest. The strongest one will usually be your local weather station. Below are the frequencies that correspond to the radio's channels:

Channel 1	162.400 MHz
Channel 2	162.425 MHz
Channel 3	162.450 MHz
Channel 4	162.475 MHz
Channel 5	162.500 MHz
Channel 6	162.525 MHz
Channel 7	162.550 MHz

SETTING TO RECEIVE WEATHER ALERTS

Weather alerts are received in three ways:

1. Alert indicator light is on.
2. Alert forecast appears in the display.
3. Alert bell rings.

To set the channel for receiving alerts, use the method below and set it to your strongest channel.

- 1) Revolve the **<Band Selecting Knob>** to "OFF" position.
- 2) Press **<MENU>** button shortly to enter the setting menu.
- 3) Press **<▲>** or **<▼>** shortly to select "WEATHER" option.



- 4) Press **<SELECT>** shortly once to enter the weather setting mode.
- 5) Press **<▲>** or **<▼>** shortly to select the strongest weather channel (CH1~7).
- 6) After setting, press **<SELECT>** shortly to save.

SETTING ALERT MODE

- 1) Revolve the **<Band Selecting Knob>** to "OFF" position.
- 2) Press **<MENU>** button shortly to enter the setting menu.
- 3) Press **<▲>** or **<▼>** shortly to select "ALERT MODE" option.



- 4) Press **<SELECT>** shortly once to enter the alert mode setting mode.
- 5) Press **<▲>** or **<▼>** shortly to select the alert mode (SIREN & VOICE).

Note: The selected alert mode will appear in the display.

- 6) After setting, press **<SELECT>** shortly to save.

SETTING COUNTY CODES (CLC CODES IN CANADA)

County code setting is described below.

A county code instructs the radio only to receive an ALERT when the code is programmed in. Look up a United States county code at the following web site:

<http://www.nws.noaa.gov/nwr/indexnw.htm#sametable>

Look up a Canadian CLC code at:

http://www.msc-smc.ec.gc.ca/msb/weatheradio/transmitter/index_e.cfm

Your radio can be set for one (SINGL) to 23 (MULTI) codes, or can be set to receive ALL coded information sent from any transmitter, if your within range. When you set codes, it will only pick up alerts when you're in that county or within reception distance of the signal. To set codes:

- 1) Revolve the **<Band Selecting Knob>** to the "OFF" position.
- 2) Press the **<MENU>** button shortly to enter the setting menu.
- 3) Press **▲** or **▼** shortly to select the "COUNTY CODE" option.



- 4) Press **<SELECT>** shortly once to enter the county code setting mode (MULTI, SINGL or ALL), which blinks in the display.
- 5) If you don't know your county code, select ALL with **▲** or **▼** and press **<SELECT>** and then **<MENU>** TO EXIT. If you know your code, don't press SELECT and go to the next section.
- 6) Press **▲** or **▼** shortly to select MULTI or SINGL and press **<SELECT>**.
- 7) Press **<SELECT>** shortly again to enter the code. CODE 01 XXXXXX appears in the display, with 01 flashing.
- 8) Press **<SELECT>** again and the first digit of six starts flashing. Press **▲** or **▼** to set the first digit and then press **▶** to go to the second digit, doing this again and again until all six digits are entered.
- 9) If you're in SINGL, press **<SELECT>** and then **<MENU>** to exit. If in MULTI, go to the next step.
- 10) If you're in MULTI and wish to enter more codes, press **<SELECT>**.
- 11) 01 flashes. Press **▲** or **▼** to go to another code setting number (1-23 flashes) and press **<SELECT>**.

- 12) The first digit of six flashes, use ▲ or ▼ to set it and press ► to enter the next number, doing this again and again until all six digits are entered.
- 13) Press <SELECT> to choose another code number (1-23) and when your finished press <SELECT> and then MENU to exit.

RECEPTION OF EVENT CODES

Your radio can receive 'event code' information during weather alerts. These codes are identified at http://www.nws.noaa.gov/os/eas_codes.shtml.

Canadian Weather Alerts are addressed at: http://www.msc-smc.ec.gc.ca/cd/brochures/warning_e.cfm#top.

SELECTING DISABLE/ENABLE

Alert modes can be selected to not appear by selecting DISABLE or to appear by selecting ENABLE.

- 1) Revolve the <Band Selecting Knob> to "OFF" position.
- 2) Press <MENU> button shortly to enter the setting menu.
- 3) Press <▲> or <▼> shortly to select "DEFEAT" option.



- 4) Press <SELECT> shortly once to enter the DEFEAT setting mode.
- 5) Press <▲> or <▼> shortly to select the alert message you wish to defeat or enable.
- 6) Press <◀> or <▶> to select DISABLE or ENABLE (printed under the message on right side of display).
- 7) After setting, press <SELECT> shortly to save.

ALERT

Before using the **ALERT** function, set the radio to the strongest weather band station. After setting, revolve the **<Band Selecting Knob>** to "**ALERT**" position. The alert indicator light will be on.

OPEN / CLOSE THE ALERT BELL

While the alert bell is ringing, you can press the **<ALERT-ON/OFF>** button (in the space above the display – right side) shortly to shut off the ringing, then press it shortly again to resume ringing.

MULTIFUNCTION KNOB

The function switch has four positions. The top position is the **OFF** position, then the **FLASHLIGHT, SOS** and **SIREN** position. All positions except **OFF** are labeled with an icon.

The **OFF** position turns the function switch off.

The **FLASHLIGHT** position "☞" turns the white lights on (left side of radio) with the radio on or off.

The **SOS** position "SOS" turns the red flashing light on. Can be used with the radio on or off.

The **SIREN** position "🚒" turns on the siren. Can be used with the radio on or off.

WARRANTY REGISTRATION

To ensure full warranty coverage or product updates, registration of your product should be completed as soon as possible after purchase or receipt. You may use one of the following options to register your product:

1. By visiting our website at <http://www.etoncorp.com>.
2. Mail in enclosed warranty card.
3. Mail your registration card or information to following address; include your name, full mailing address, phone number, email address, model purchased, date purchased, retail vendor name:

Etón Corporation

1015 Corporation Way
Palo Alto, CA 94303 USA

LIMITED WARRANTY

Retain the warranty information from your warranty card with your proof of purchase or the Limited Warranty information can also be viewed at www.etoncorp.com.

SERVICE FOR YOUR PRODUCT

To obtain service for your product, we recommend first contacting an Etón service representative at 1-800-872-2228 US, 1-800-637-1648 Canada, (650) 903-3866 US, customersvc@etoncorp.com or your respective country distributor in Europe (see enclosed list) for problem determination and troubleshooting. If further service is required, the technical staff will instruct how to proceed based on whether the radio is still under warranty or needs non-warranty service.

WARRANTY – If your product is still in warranty and the Etón service representative determines warranty service is needed, a return authorization will be issued and instructions will be given. DO NOT ship your radio back without obtaining the return authorization.

NON-WARRANTY – If your product is no longer under warranty and requires service, the Etón service representative will refer you to the nearest repair facility that will best handle the repair.

For service outside North America, please refer to the distributor information included at time of purchase/receipt.

AVEZ-VOUS BESOIN D'AIDE?

Si vous avez besoin d'aide, veuillez nous contacter, Du Lundi au Vendredi, 8:00 à - 16:30., Fuseau horaire du Pacifique Amérique du Nord. 1-800-872-2228 depuis les U.S.A; 1-800-637-1648 depuis le Canada; 650-903-3866, ailleurs dans le monde; FAX: 650-903-3867; site Internet, www.etoncorp.com; Etón Corporation, 1015 Corporation Way, Palo Alto, CA 94303, USA

AVERTISSEMENT

- Ne pas exposer cet appareil à la pluie ou à l'humidité.
- Ne pas immerger ou exposer à l'eau pendant une longue période.
- Protéger d'une grande humidité et de la pluie.
- Débrancher immédiatement si un liquide a été renversé sur l'appareil ou si un objet quelconque est tombé à l'intérieur.
- Nettoyer seulement avec un chiffon sec. Ne pas utiliser de détergents ni de solvants chimiques qui pourraient endommager le fini.
- Débrancher et déconnecter l'antenne extérieure en cas d'orages.
- Ne pas enlever le couvercle [ou l'arrière].
- S'adresser à du personnel qualifié pour la maintenance.

Environnement

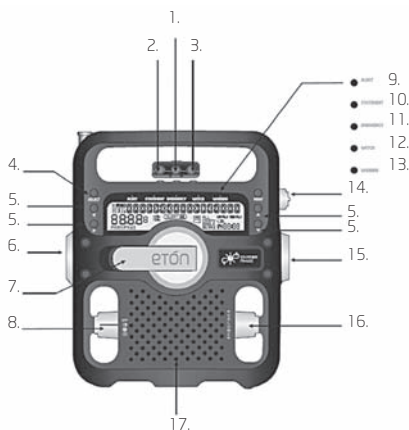
Mise au rebut

Conformément à la Directive Européenne 2002/96/EC tous les produits électriques et électroniques doivent être récupérés séparément par un système local de collecte.

Veuillez agir suivant les règles locales et ne pas mettre au rebut vos vieux appareils avec vos déchets ménagers ordinaires.



Veuillez mettre au rebut tout type de piles selon vos lois/ règlements locaux, d'état, ou de gouvernement. Si vous n'êtes pas sûr de vous, veuillez appeler l'autorité locale appropriée pour savoir comment les mettre au rebut en sécurité et aider à protéger l'environnement.

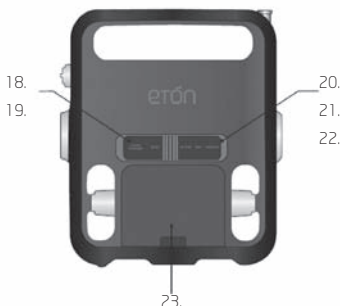
EMPLACEMENT DES COMMANDES

- 1) SNOOZE (Répétition d'alarme) : Snooze de 5 Min
- 2) ALARME Marche/Arrêt: Activer/Désactiver la fonction alarme
- 3) ALERTE Marche/Arrêt: lance/ferme la sonnerie d'alerte
- 4) Bouton de sélection
- 5) Bouton de direction
- 6) Flash
- 7) Manivelle
- 8) Molette multifonctionnelle
- 9) Indicateur lumineux d'alerte
- 10) Indicateur lumineux d'état
- 11) Indicateur lumineux d'urgence
- 12) Indicateur lumineux de l'horloge
- 13) Indicateur de mise en garde
- 14) Molette d'alimentation
- 15) Bouton de sélection
- 16) Bouton de direction
- 17) Grille de haut-parleur

15) Molette de sélection de bande

16) Molette de réglage du volume

17) Haut parleur



18) CHARGEUR DE TÉLÉPHONE: prise USB pour charger un téléphone portable (grosse)

19) Entrée courant continu: prise USB pour charger la radio (petite)

20) Entrée courant continu (Adaptateur)

21) Prise écouteurs

22) Prise audio

23) Compartiment des piles

ALIMENTER LE FR600

Vous pouvez utiliser plusieurs types d'alimentations avec le FR600, dont : 3 piles AA, la batterie rechargeable interne nickel-hydrure métallique, le panneau solaire, un adaptateur/chargeur secteur, un câble USB pourvu d'une fiche mini USB et d'une fiche USB normale branchée sur un ordinateur (allumé) ou sur un adaptateur secteur pourvu d'un port USB. Ces méthodes sont expliquées ci-après.

REMARQUE: Le Bouton de Sélection de la Bande de Fréquences et le Bouton de Sélection de l'Alimentation sont positionnés sur le côté droit de la radio. Le Bouton de Sélection de l'Alimentation est situé au-dessus du Bouton de Sélection de la Bande de Fréquences.

Si le Bouton de Sélection de la Bande de Fréquences est positionné sur OFF, la radio est éteinte. Positionnez ce bouton sur l'une des bandes de fréquences pour allumer la radio.

UTILISATION AVEC 3 PILES AA

Installez 3 piles alcalines AA en respectant le schéma indiquant les polarités dans le compartiment des piles (au dos de l'appareil). Pour alimenter la radio avec les piles AA, positionnez le Bouton de Sélection de l'Alimentation sur BATTERY (pile). Avec ce type d'alimentation, l'autonomie de la radio est d'environ 2 heures à faible volume.

UTILISATION AVEC LA BATTERIE Ni-MH INTERNE

La batterie Ni-MH est fournie avec la radio. Elle est située dans un compartiment spécifique et doit être branchée sur la prise présente à côté d'elle dans son compartiment. Une fois qu'elle a été branchée, positionnez le Bouton de Sélection de l'Alimentation sur DYNAMO. Pour recharger partiellement la batterie, éteignez la radio en tournant le Bouton de Sélection de la Bande de Fréquences et positionnez le Bouton de Sélection de l'Alimentation sur DYNAMO, puis tournez la manivelle pendant 90 secondes à une vitesse de deux tours par minutes. Cela donne à la radio une autonomie de 5 minutes à faible volume, ensuite, il vous faut à nouveau tourner la manivelle. Mettez la radio en marche en actionnant le Bouton de Sélection de la Bande de Fréquences.

RECHARGER LA BATTERIE Ni-MH AVEC LE PANNEAU SOLAIRE

Rechargez la radio avec le panneau solaire équivaut à recharger sa batterie rechargeable Ni-MH. Éteignez la radio en actionnant le Bouton de Sélection de la Bande de Fréquences. Positionnez le Bouton de Sélection de l'Alimentation sur SOLAR (solaire). Exposez la radio à la lumière directe du Soleil (et non à travers une fenêtre, ni à l'ombre), le Soleil doit éclairer directement le panneau solaire. Après quelques minutes de recharge, vous pouvez écouter la radio tout en la laissant en recharge, pour cela, allumez-la avec le Bouton de Sélection de la Bande de Fréquences. Si elle ne se met pas en marche à ce moment-là, attendez encore un peu. Laissez le panneau solaire exposé à la lumière directe du Soleil pendant 8 à 10 heures pour complètement recharger la batterie de la radio. Une fois la recharge terminée, si vous ne laissez pas le panneau solaire de la radio exposé à la lumière du Soleil, veillez à sélectionner DYNAMO avec le Bouton de Sélection de l'Alimentation.

RECHARGER LA BATTERIE Ni-MH OU UTILISER LA RADIO AVEC L'ADAPTATEUR/CHARGEUR SECTEUR OU UN CÂBLE USB

Pour acheter un adaptateur/chargeur secteur (non fourni), commandez la pièce FR500-ACA-US en appelant le 1-800-793-6542. Il fournit généralement un courant de sortie CC de 5 à 6 volts, à polarité positive et n'excédant pas 300 mA.

Éteignez la radio en actionnant le Bouton de Sélection de la Bande de Fréquences. Branchez l'adaptateur/chargeur secteur (non fourni) dans la prise gauche, marquée « DC IN 5V » sous le capuchon en caoutchouc droit présent au dos de la radio. Positionnez le Bouton de Sélection de l'Alimentation sur DYNAMO. Allumez la radio en sélectionnant une bande de fréquences avec le Bouton de Sélection de la Bande de Fréquences. Le voyant rouge présent au-dessus de la manivelle s'allume pour indiquer que l'adaptateur secteur est branché. Si la batterie rechargeable Ni-MH est branchée, sa recharge commence et continue tant que DYNAMO est sélectionné. Il faut environ 8 heures pour effectuer une recharge complète.

Si un adaptateur secteur est branché, que la batterie rechargeable est branchée et que DYNAMO est sélectionné, en cas de coupure de courant, la radio est automatiquement alimentée par sa batterie. Si l'adaptateur secteur est branché et que BATTERY (pile) est sélectionné, la batterie rechargeable Ni-MH ne se recharge pas. S'il n'y a pas de piles dans la radio et si sa batterie n'est pas branchée, l'adaptateur secteur alimente la radio que DYNAMO ou BATTERY (pile) soit sélectionné.

Achetez un câble USB pourvu d'une fiche mini USB et d'une fiche USB normale dans un magasin d'appareils électroniques ou sur internet. Si vous utilisez un câble USB, branchez sa fiche mini USB dans le port mini USB présent sous le capuchon en caoutchouc gauche au dos de la radio, et branchez son autre fiche dans le port USB d'un ordinateur (l'ordinateur doit être allumé) ou d'un adaptateur secteur pourvu d'un port USB. Le fonctionnement de la radio avec un câble USB est identique à son fonctionnement avec un adaptateur secteur, à l'exception des points suivants :

Si le câble USB est branché et que la batterie rechargeable est également branchée ou que des piles AA sont installées dans la radio, en cas de coupure de l'alimentation USB, la radio est alimentée par sa batterie rechargeable si DYNAMO est sélectionné et par les piles AA si BATTERY (pile) est sélectionné.

CONTRÔLE DU VOLUME

En tournant la molette de réglage du volume (située sur le côté inférieur droit de la radio dans le sens des aiguilles d'une montre, cela va augmenter le volume; tournez dans le sens contraire des aiguilles d'une montre pour diminuer le volume. Baissez toujours le volume avant d'utiliser des écouteurs.

RECHARGER UN TÉLÉPHONE PORTABLE (le câble de recharge pour téléphone portable n'est pas fourni)

Si vous tournez la molette d'alimentation sur la position OFF/PHONE CHARGER, la radio va charger le téléphone portable.

Branchez le cordon de charge du téléphone portable dans la prise USB PHONE CHARGER (USB DE CHARGEMENT DU TÉLÉPHONE) à l'arrière de la radio. Branchez l'embout de l'adaptateur de charge du téléphone portable de l'autre extrémité du cordon et puis dans la prise du téléphone portable. Puis mettez la radio au soleil ou tournez la manivelle pour charger le téléphone portable. Environ 10 minutes de manivelle vont permettre un ou deux appels d'urgence.

Pour commander un câble de recharge pour téléphone portable et obtenir des conseils adaptés à la marque et au modèle de votre téléphone portable, rendez-vous sur le site internet www.igo.com.

REMARQUE: Lors du chargement d'un téléphone portable via le chargeur de téléphone USB, il est important de tourner la manivelle au moins 2 tours par seconde, ou jusqu'à ce que vous voyez un voyant vert ou orange au dessus de la manivelle. C'est une

indication que le téléphone reçoit suffisamment de puissance de la radio. Continuez à tourner la manivelle à ce rythme jusqu'à ce que vous soyez satisfait du niveau de charge reçu par votre téléphone portable. Si vous décidez d'arrêter de tourner pour n'importe quelle raison, veuillez attendre au moins 5 secondes avant de recommencer à tourner la manivelle. Ne pas suivre ces instructions peut endommager votre téléphone portable pour lequel Eton se déclare non responsable et ne sera pas tenu responsable pour tout dommages réel ou consécutif relatif à ce cas.

RÉGLAGE DE LA DATE

1. Tournez la **<Molette de sélection de bande>** sur la position Arrêt (**OFF**).
2. Radio éteinte, appuyez brièvement sur la touche **<MENU>** pour entrer dans le menu des réglages.
3. Appuyez brièvement sur **<▲>** ou **<▼>** pour sélectionner l'option "Réglage de la date" ("SET UP---DATE").



4. Appuyez brièvement une fois sur **<SELECT>** pour entrer le mode de configuration de la date.
5. Appuyez brièvement sur **<◀>** ou **<▶>** pour sélectionner l'option "MOIS-JOUR-ANNÉE" ("MONTH--DAY--YEAR").



- Appuyez brièvement sur **<▲>** ou **<▼>** pour régler l'option "MOIS-JOUR-ANNÉE" ("MONTH--DAY--YEAR").
- Après réglage, appuyez brièvement sur **<SELECT>** pour sauvegarder.

RÉGLAGE DE L'HORLOGE

- Tournez la <Molette de sélection de bande> sur la position Arrêt ("**OFF**").
- Appuyez brièvement sur le bouton **<MENU>** pour entrer dans le menu de configuration.
- Appuyez brièvement sur **<▲>** ou **<▼>** pour sélectionner l'option "REGLAGE-HEURE" ("SET UP---TIME").



- Appuyez brièvement sur **<SELECT>** une fois pour entrer dans le mode de configuration de l'heure.
- Appuyez brièvement sur **<◀>** ou **<▶>** pour sélectionner l'option "HEURE: MINUTE" ("HOUR : MINUTE").



- Appuyez brièvement sur **<▲>** ou **<▼>** pour régler l'option "HEURE:MINUTE" ("HOUR : MINUTE").
- Après réglage, appuyez brièvement sur **<SELECT>** pour sauvegarder.

REMARQUE: L'horloge affiche l'heure sur 12 heures, avec les indications « AM » le matin et « PM » l'après-midi.

RÉGLAGE DE L'ALARME QUI EMET UN BIP

Cette alarme de radio émet un bip lorsqu'elle est active.

1. RÉGLAGE DE L'HEURE DE L'ALARME

- 1) Tournez la **<Molette de sélection de bande>** sur la position Arrêt ("**OFF**").
- 2) Radio éteinte, appuyez brièvement sur la touche **<MENU>** pour entrer dans le menu des réglages.
- 3) Appuyez sur **<▲>** ou sur **<▼>** pour sélectionner l'option "CONFIGURATION DE L'ALARME-ALM" ("SET UP ALARM--ALM").



- 4) Appuyez brièvement une fois sur **<SELECT>** pour entrer dans le mode de configuration de la date.
- 5) Appuyez brièvement sur **<◀>** ou **<▶>** pour sélectionner l'option "HEURE:MINUTE" ("HOUR : MINUTE").



- 6) Appuyez brièvement sur **<▲>** ou **<▼>** pour régler l'option "HEURE:MINUTE" ("HOUR : MINUTE").
- 7) Après réglage, appuyez brièvement sur **<SELECT>** pour sauvegarder.

2. ACTIVATION ET DÉSACTIVATION DE L'ALARME

Appuyez brièvement sur **<ALARM MARCHÉ/ARRÊT (ON/OFF)>** pour activer ou désactiver l'alarme.

Si l'alarme est activée, le symbole de l'alarme "🔔 AL" et l'heure programmée de déclenchement de l'alarme sont affichés. Quand l'heure programmée est atteinte, l'appareil sonne.

Si l'alarme est désactivée, le symbole de l'alarme "🔔 AL" et l'heure programmée de déclenchement de l'alarme ne sont plus affichés.



3. BOUTON SNOOZE (Répétition d'alarme)

Lorsque l'alarme est active, le fait d'appuyer brièvement sur le bouton **<SNOOZE>** désactive l'alarme pendant 5 minutes ("ZZZ" apparaît sur l'affichage), puis elle redémarre.



RÉCEPTION D'ÉMISSIONS

1. Sélectionnez le mode d'alimentation.
2. Sélectionnez la bande:

Bande FM: mettez la **<molette de sélection de bande>** sur la position "FM".

Bande AM : mettez la **<molette de sélection de bande >** sur la position "AM".

Bande OC (SW): mettez la **<molette de sélection de bande >** sur la position "SW".

3. Réglez le volume: tournez la **<molette de réglage du volume>** pour régler le niveau du volume.

4. Syntonisation de stations:

Syntonisation manuelle: Appuyez brièvement sur <▲> ou <▼> pour syntoniser.

Syntonisation automatique: Appuyez et restez appuyé sur <▲> ou <▼> pour syntoniser.

REMARQUE: Lors de l'écoute de la FM, dépliez entièrement l'antenne télescopique. Lors de la syntonisation de stations AM, l'antenne télescopique n'est pas nécessaire et peut être rabaissée.

5. Sauvegarde de stations: Pendant la réception de la station, appuyez brièvement une fois sur **<MENU>**, "MEMORY" apparaît à l'affichage. Appuyez brièvement sur <◀> ou <▶> pour sélectionner l'adresse de sauvegarde. Puis appuyez brièvement sur **<SELECT>** pour sauvegarder la station. (**REMARQUE:** FM: 20 mémoires; AM: 10 mémoires; Sw: 10 mémoires.)

BANDE	MEGAHERTZ (MHz)	KILOHERTZ (KHz)
120 m	2.300-2.495 MHz	2300- 2495 KHz
90 m	3.20-3.40 MHz	3200- 3400 KHz
75 m	3.90-4.05 MHz	3900- 4050 KHz
60 m	4.750-5.1 MHz	4750- 5100 KHz
49 m	5.8-6.2 MHz	5730- 6300 KHz
41 m	7.1-7.60 MHz	6890-7600 KHz
31 m	9.4-10 MHz	9250-9995 KHz
25 m	11.5-12.2 MHz	11500-12200 KHz
22 m	13.57-13.87 MHz	13570-13870 KHz
19 m	15.000-15.800 MHz	15005-15825 KHz
16 m	17.55-18 MHz	17480-17900 KHz
15 m	18.9-19.02 MHz	18900-19020 KHz
13 m	21.45-21.85 MHz	21450-21850 KHz



6. Rappel des stations: Lors de l'écoute de la radio, appuyez brièvement sur <◀> ou <▶>.
7. Pour éteindre: tournez la **<molette de sélection de bande>** sur la position "**OFF**".

ÉCOUTE DES ONDES COURTES

Pour en savoir plus sur les ondes courtes nous recommandons les deux publications ci-dessous, publiées chaque année et disponibles dans la plupart des librairies. De plus, Internet est une grande ressource pour apprendre au sujet les ondes courtes.

PASSPORT TO WORLD BAND RADIO (Passeport pour la radio en bande mondiale) Publié par International Broadcasting Services (IBS); IBS Amérique du Nord, Box 300, Penn's Park PA 18943. Téléphone: (215) 598-9018. www.passband.com.

WORLD RADIO TV HANDBOOK (Manuel TV Radio Mondiale) Publié aux USA par Watson-Guptill Publications, 770 Broadway, 7th Floor, New York, NY 10003-9595. www.watsonguptill.com. Les ondes courtes permettent d'écouter des émissions sur de grandes distances incluant d'autres pays et d'autres continents. Les informations suivantes vous aideront à obtenir les meilleurs résultats.

- Durant le jour, les fréquences au dessus de 13 MHz sont généralement meilleures.
- Dans la nuit, les fréquences en dessous de 13 MHz sont généralement meilleures.
- Au coucher ou lever du soleil, la gamme complète des ondes courtes peut être bonne.

Rapprochez-vous très près d'une fenêtre et tenez votre radio pour améliorer la réception des ondes courtes.

RÉCEPTION DES FRÉQUENCES MÉTÉO

Pour écouter votre station locale météo, dépliez l'antenne, allumez la radio et sélectionnez WB avec le sélecteur de bande. Augmentez le volume et appuyez sur les boutons ▲▼ pour entendre les 7 canaux météo. Vous n'entendrez probablement qu'un canal, mais si vous entendez plus d'un canal météo, sélectionnez le plus puissant. Le plus puissant sera habituellement votre station météo locale. Ci-dessous, voici les fréquences correspondantes aux canaux radio:

Canal 1	162.400 MHz
Canal 2	162.425 MHz
Canal 3	162.450 MHz
Canal 4	162.475 MHz
Canal 5	162.500 MHz
Canal 6	162.525 MHz
Canal 7	162.550 MHz

RÉGLAGE POUR RECEVOIR LES ALERTES MÉTÉO

Les alertes météo sont reçues de trois façons:

1. Indicateur lumineux d'alerte.
2. Emission d'alerte (Alert forecast) apparaît sur l'affichage.
3. Sonnerie d'alerte.

Pour régler le canal de réception d'alertes, utilisez la méthode ci-dessous et réglez-le sur votre canal le plus puissant.

- 1) Tournez la **<molette de sélection de bande>** sur la position Arrêt ("**OFF**").
- 2) Appuyez brièvement sur le bouton **<MENU>** pour entrer dans le menu de configuration.
- 3) Appuyez brièvement sur **<▲>** ou **<▼>** pour sélectionner l'option "METEO" ("WEATHER").



- 4) Appuyez brièvement une fois sur **<SELECT>** pour entrer dans le mode de configuration météo.
- 5) Appuyez brièvement sur **<▲>** ou **<▼>** pour sélectionner le canal météo le plus puissant (CH1 ~7).
- 6) Après réglage, appuyez brièvement sur **<SELECT>** pour sauvegarder.

RÉGLAGE DU MODE ALERTE

- 1) Tournez la **<molette de sélection de bande>** sur la position Arrêt ("**OFF**").
- 2) Appuyez brièvement sur **<MENU>** pour entrer dans le menu de configuration.
- 3) Appuyez brièvement sur **<▲>** ou **<▼>** pour sélectionner l'option "MODE D'ALERTE" ("ALERT MODE").



- 4) Appuyez brièvement une fois sur **<SELECT>** pour entrer dans le mode de configuration d'alerte.
- 5) Appuyez brièvement sur **<▲>** ou **<▼>** pour sélectionner le mode d'alerte (SIRÈNE & VOIX).

REMARQUE: le mode d'alerte sélectionné va apparaître à l'affichage.

- 6) Après réglage, appuyez brièvement sur **<SELECT>** pour sauvegarder.

RÉGLAGE DES CODES DE RÉGION (COMTÉ)

(Codes CLC Au Canada)

Le réglage de code de comté est décrit ci-dessous.

Un code de comté indique à la radio de ne recevoir qu'une Alerte lorsque le code est programmé dans la radio. Consultez le code des États-Unis sur le site Internet suivant:

<http://www.nws.noaa.gov/nwr/indexnw.htm#sametable>

Consultez le code CLC Canadien sur:

http://www.msc-smc.ec.gc.ca/msb/weatheradio/transmitter/index_e.cfm

Votre radio peut être réglée pour un code (SINGL) jusqu'à 23 codes (MULTI), ou peut être réglée pour recevoir TOUTES (ALL) les informations codées envoyées par n'importe quel émetteur, si vous êtes dans la zone de réception. Lorsque vous réglez les codes, cela va uniquement déclencher les alertes lorsque vous êtes dans le comté ou dans la zone de réception couverte par le signal.

Pour définir les codes:

- 1) Tournez la **<Molette de sélection de bande>** sur la position Arrêt ("**OFF**").
- 2) Appuyez brièvement sur le bouton **<MENU>** pour entrer dans le menu de configuration.
- 3) Appuyez brièvement sur **▲** ou **▼** pour sélectionner l'option "CODE DE COMTÉ" ("COUNTY CODE").



- 4) Appuyez brièvement une fois sur **<SELECT>** pour entrer dans le mode de configuration du code de comté (MULTI, SINGL ou ALL), qui va clignoter à l'affichage.
- 5) Si vous ne connaissez pas votre code de comté, sélectionnez ALL avec ▲ ou ▼ et appuyez sur **<SELECT>** et puis sur **<MENU>** pour quitter. Si vous connaissez votre code, n'appuyez pas sur SELECT et passez à la section suivante.
- 6) Appuyez brièvement sur ▲ ou ▼ pour sélectionner MULTI ou SINGL et appuyez sur **<SELECT>**.
- 7) Appuyez brièvement de nouveau sur **<SELECT>** et entrer le code. CODE 01 XXXXXX apparaît sur l'affichage, avec 01 clignotant.
- 8) Appuyez de nouveau sur **<SELECT>** et le premier des six chiffres commence à clignoter. Appuyez sur ▲ ou ▼ pour définir le premier chiffre et puis appuyez sur ► pour passer au second chiffre, répétez cela pour entrer les six chiffres.
- 9) Si vous êtes sur SINGL, appuyez sur **<SELECT>** et puis sur **<MENU>** pour quitter. Si vous êtes sur MULTI, passez à la prochaine étape.
- 10) Si vous êtes sur MULTI et que vous souhaitez entrer plus de codes, appuyez sur **<SELECT>**.
- 11) 01 clignote. Appuyez sur ▲ ou ▼ pour un autre nombre de configuration de code (1-23 clignote) et appuyez sur **<SELECT>**.
- 12) Le premier des six chiffres clignote, utilisez ▲ ou ▼ pour le définir et appuyez sur ► pour entrer le chiffre suivant, répétez cela pour entrer les six chiffres.
- 13) Appuyez sur **<SELECT>** pour choisir un autre nombre de code (1-23) et quand vous avez fini, appuyez sur **<SELECT>** et sur MENU pour quitter.

RÉCEPTION DES CODES D'ÉVÈNEMENT

Votre radio peut recevoir des informations de type 'Code d'évènement' durant les alertes météo. Ces codes sont identifiés sur http://www.nws.noaa.gov/os/eas_codes.shtml.

Les alertes météo canadienne sont sur: http://www.msc-smc.ec.gc.ca/cd/brochures/warning_e.cfm#top.

SÉLECTION DE DÉSACTIVER (DISABLE)/ ACTIVER (ENABLE)

Les modes d'alerte peuvent être sélectionnés pour ne pas apparaître en sélectionnant DISABLE ou pour apparaître en sélectionnant ENABLE.

- 1) Tournez la **<Molette de sélection de bande>** sur la position Arrêt ("**OFF**").
- 2) Appuyez brièvement sur le bouton **<MENU>** pour entrer dans le menu de configuration.
- 3) Appuyez brièvement sur **<▲>** ou **<▼>** pour sélectionner l'option "REJETER" ("DEFEAT").



- 4) Appuyez brièvement une fois sur **<SELECT>** pour entrer dans le mode de configuration REJETER (DEFEAT).
- 5) Appuyez brièvement sur **<▲>** ou **<▼>** pour sélectionner le message d'alerte que vous souhaitez rejeter ou autoriser.
- 6) Appuyez sur **<◀>** ou **<▶>** pour sélectionner DESACTIVER(DISABLE) ou ACTIVER (ENABLE) (imprimé sous le message sur le côté droit de l'affichage).

7) Après réglage, appuyez brièvement sur **<SELECT>** pour sauvegarder.

ALERTE

Avant d'utiliser la fonction **ALERTE**, réglez la radio sur la station météo la plus puissante. Après réglage, tournez la **<Molette de sélection de bande>** sur la position "**ALERT**". Le voyant indicateur d'alerte s'éclaire.

MARCHE/ARRÊT DE LA SONNERIE D'ALERTE

Lorsque la sonnerie d'alerte retentit, vous pouvez appuyez sur le bouton **<ALERT-ON/OFF>** (dans l'emplacement au dessus de l'écran - côté droit) brièvement pour couper la sonnerie, puis appuyez brièvement de nouveau dessus pour réactiver la sonnerie.`

MOLETTE MULTIFONCTIONNELLE

Le commutateur de fonction possède quatre positions. La position du haut est la position Arrêt (**OFF**), puis il y a la position **FLASH, SOS et SIRÈNE**. Toutes les positions sauf Arrêt (**OFF**) sont indiquées avec un icône.

La position Arrêt (**OFF**) éteint le commutateur de fonction.

La position **FLASH** "☰" allume une lumière blanche lorsque la radio est allumée ou éteinte (côté gauche de la radio).

La position **SOS** "☉" allume une lumière clignotante rouge. Peut être utilisée avec la radio allumée ou éteinte.

La position **SIRENE** "☼" allume la sirène. Peut être utilisée avec la radio allumée ou éteinte.

ENREGISTREMENT DE LA GARANTIE

Pour pièces de rechange et main d'oeuvre. Afin d'assurer une couverture complète de la garantie et les mises à jour du produit, l'enregistrement de votre produit doit être effectué le plus tôt possible après l'achat ou la réception. Vous pouvez utiliser une des options suivantes pour enregistrer votre produit:

1. En consultant notre site web <http://www.etoncorp.com>.
2. Par courrier avec la carte de garantie ci-jointe.
3. Envoyer votre carte d'enregistrement ou vos coordonnées à l'adresse suivante; Il faut indiquer votre nom, adresse postale complète, n° de téléphone, le nom du modèle acheté, la date d'achat, le nom du vendeur et le numéro de série du produit (habituellement situé dans ou près du compartiment du block-pile):

Etón Corporation

1015 Corporation Way
Palo Alto, CA 94303

GARANTIE LIMITÉE

Conservez l'information de garantie de votre carte de garantie avec votre preuve d'achat ou bien l'information de garantie limitée peut être consultée sur www.etoncorp.com.

MAINTENANCE DE VOTRE PRODUIT

Pour obtenir la maintenance de votre produit, nous recommandons de contacter d'abord le service clientèle Etón au 800-872-2228 US, 800-637-1648 Canada or (650) 903-3866 pour déterminer le problème et le dépannage. Si une intervention complémentaire est nécessaire, l'équipe technique vous indiquera la façon de procéder suivant que la radio est toujours sous garantie ou si elle nécessite une intervention hors garantie.

GARANTIE – Si votre produit est toujours sous garantie et si le représentant du service clientèle de Etón juge nécessaire une réparation garantie, une autorisation de retour sera délivrée ainsi que les instructions pour l'expédition à un atelier agréé pour la réparation sous garantie. **NE RENVOYEZ PAS** votre radio sans avoir obtenu le numéro d'autorisation de retour.

HORS GARANTIE – Si votre produit n'est plus sous garantie et nécessite une réparation, notre équipe technique vous adressera à l'atelier de réparation le plus proche qui sera apte à réaliser au mieux la réparation.

Pour une réparation hors de l'Amérique du Nord, veuillez vous reporter à l'information sur les distributeurs qui vous a été fournie lors de l'achat/réception.

¿NECESITA AYUDA?

Si usted necesita ayuda, por favor póngase en contacto con nosotros, de lunes a viernes, de 8:00 de la mañana a 4:30 de la tarde, Hora del Pacífico Norteamericano. 1-800-872-2228 en Estados Unidos; 1-800-637-1648 en Canadá; 650-903-3866, para el resto del mundo; FAX: 650-903-3867; sitio web, www.etoncorp.com; Eton Corporation, 1015 Corporation Way, Palo Alto, CA 94303, USA

ATENCIÓN

- No exponer este aparato a la lluvia ni a la humedad.
- No sumergir ni exponer al agua durante un período prolongado.
- Proteger contra la humedad alta y la lluvia.
- Desenchufar inmediatamente en caso de derrame de líquidos o de caída de cualquier objeto sobre el aparato.
- Limpiar únicamente con un trapo seco. No usar detergentes ni solventes químicos, ya que estos podrían dañar el acabado del producto.
- Desenchufar y desconectar antenas externas durante tormentas eléctricas.
- No retirar la tapa [ni la parte de atrás].
- Referir cualquier revisión del aparato a personal de servicio cualificado.

MEDIO AMBIENTE

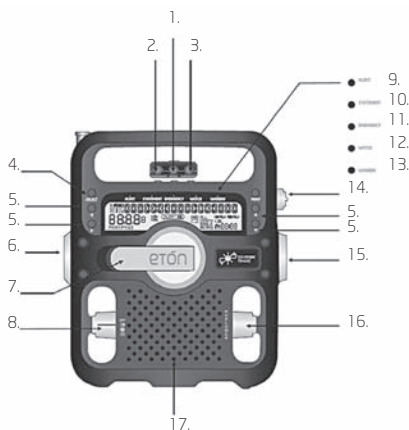
Desecho

Según la Directiva Europea 2002/96/EC, todos los productos eléctricos y electrónicos deben ser recogidos de forma separada por parte un sistema local de recogida.

Por favor, actúe de acuerdo a sus leyes locales y no deseche sus productos viejos en la basura normal de su casa.



Para desechar cualquier tipo de baterías siga las normas o leyes de su gobierno, estado o ciudad. Si no está seguro, póngase en contacto con las autoridades locales apropiadas para saber cómo desecharlas de manera segura y así proteger el medio ambiente.

UBICACIÓN DE LOS CONTROLES

- 1) SIESTA: Siesta de 5 min.
- 2) ALARMA ENCENDIDO/APAGADO: Activa/desactiva la función de alarma
- 3) ALERTA ENCENDIDO/APAGADO: abre/cierra el timbre de alerta
- 4) Botón Seleccionar
- 5) Botón Dirección
- 6) Linterna
- 7) Manivela
- 8) Botón multifuncional
- 9) Luz indicadora de alerta
- 10) Luz indicadora de comunicado
- 11) Luz indicadora de emergencia
- 12) Luz indicadora de atención
- 13) Luz indicadora de advertencia

- 14) Botón de suministro eléctrico
- 15) Botón de selección de banda
- 16) Botón de ajuste del volumen
- 17) Altavoz



- 18) Enchufe USB para cargar el teléfono móvil (grande)
- 19) Entrada DC: Enchufe USB para cargar la radio (pequeño)
- 20) Enchufe de entrada DC (Adaptador)
- 21) Enchufe para audífono
- 22) Enchufe para audio
- 23) Compartimento para baterías

ALIMENTACIÓN DEL APARATO MODELO FR600

El aparato modelo FR600 puede alimentarse de diferentes modos; es decir, utilizando 3 pilas de tipo AA, el acumulador interno recargable de níquel-hidruro metálico, su panel solar incorporado, un adaptador de corriente/cargador, un cable USB equipado con un conector mini USB en un extremo y un conector USB estándar

en el otro que se encuentre conectado a un ordenador (encendido), así como utilizando un adaptador de corriente equipado con puerto USB. Todos estos métodos de conexión se describen de manera más detallada a continuación.

Nota: El mando de encendido y el de selección de banda se encuentran ubicados en el lado derecho de la radio. El mando de encendido es el que está en la parte superior y el de selección de banda el de la parte inferior.

Para apagar la radio, desplace el mando de selección de banda hasta la posición de apagado (OFF). Para encender la radio, gire dicho mando hasta la posición de selección de cualquier banda de frecuencia.

ALIMENTACIÓN UTILIZANDO LAS 3 PILAS DE TIPO AA

Instale 3 pilas alcalinas de tipo AA observando la polaridad correcta conforme a lo indicado en el diagrama existente en el interior del compartimento de las pilas (en la parte posterior de la radio). Para encender la radio cuando está alimentada mediante las pilas de tipo AA, desplace el mando de encendido hasta la posición "BATTERY" (pilas). Con unas pilas nuevas, la radio poseerá una autonomía de dos horas si se utiliza a bajo volumen.

UTILIZACIÓN DEL PANEL SOLAR PARA RECARGAR EL ACUMULADOR DE NI-MH

El panel solar del aparato se utiliza para recargar el acumulador recargable de Ni-MH. Apague la radio utilizando el mando de selección de banda. Desplace el mando de encendido hasta la posición "SOLAR". Coloque la radio en un lugar expuesto a los rayos del sol

(no junto a una ventana donde reciba claridad ni en la sombra), de manera que la luz del sol incida directamente sobre el panel solar. Al cabo de unos minutos de carga, es posible que pueda utilizar la radio girando el mando de selección de banda mientras se lleva a cabo el proceso de carga. De no ser así, espere un poco más hasta que el acumulador esté lo suficientemente cargado. Déjelo expuesto a la acción directa de los rayos del sol durante un intervalo de 8 a 10 horas para que alcance su carga máxima. Una vez cargado, si coloca el aparato en un lugar donde no esté expuesto a la luz solar, asegúrese de desplazar el mando de encendido hasta la posición "DYNAMO" (acumulador recargable).

ALIMENTACIÓN UTILIZANDO EL ACUMULADOR INTERNO RECARGABLE DE NI-MH

El acumulador de Ni-MH se suministra integrado en la radio. Está ubicado en el compartimento de las pilas y es necesario conectarlo a la toma de alimentación situada junto al mismo. Una vez conectado, desplace el mando de encendido hasta la posición "DYNAMO" (acumulador recargable). Si desea cargar parcialmente el acumulador, apague la radio utilizando el mando de selección de banda y desplace el mando de encendido hasta la posición "DYNAMO" (acumulador recargable). Seguidamente, gire la manivela durante 90 segundos a una cadencia de dos vueltas por segundo. Esta acción cargará el acumulador lo suficiente como para que la radio tenga una autonomía de aproximadamente 5 minutos si se utiliza a bajo volumen. Vuelva a girar a manivela de ser necesario. Encienda la radio utilizando el mando de selección de banda.

UTILIZACIÓN DE UN ADAPTADOR DE CORRIENTE/ CARGADOR O CABLE USB PARA HACER FUNCIONAR LA RADIO O RECARGAR EL ACUMULADOR DE Ni-MH

Si desea adquirir un adaptador de corriente/cargador (no incluido), solicite la referencia de pieza FR500-ACA-US llamando al número de teléfono 1-800-793-6542. El adaptador de corriente/cargador especificado para el aparato deberá contar con una salida de 5 a 6 VCC, polaridad positiva y una capacidad de corriente máxima de 300 mA.

Apague la radio utilizando el mando de selección de banda. Enchufe el adaptador de corriente/cargador (no incluido) en el conector de entrada izquierdo (etiquetado con la indicación "DC IN 5V") que se encuentra oculto detrás de la tapa de goma derecha situada en la parte posterior de la radio. Desplace el mando de encendido hasta la posición "DYNAMO" (acumulador recargable). Encienda la radio; para ello seleccione cualquier banda de frecuencia utilizando el mando de selección de banda. El testigo rojo situado justo encima de la manivela deberá iluminarse a modo indicativo de que el adaptador de corriente está enchufado. En dicho caso, si el acumulador recargable de Ni-MH se encuentra conectado, comenzará a recargarse siempre que haya colocado el correspondiente mando en la posición "DYNAMO" (acumulador recargable). Para cargarlo al máximo serán necesarias 8 horas.

Si mientras hay enchufado al aparato un adaptador de corriente con el acumulador recargable conectado y la posición "DYNAMO" (acumulador recargable) seleccionada se produce alguna interrupción en la alimentación suministrada por el adaptador de corriente (p. ej. un corte del suministro eléctrico), la radio seguirá funcionando automáticamente utilizando la energía proporcionada por el acumulador. Si mientras el adaptador de corriente está enchufado, se selecciona la posición "BATTERY" (pilas),

se interrumpirá la carga del acumulador recargable de Ni-MH. Si se desconecta tanto el acumulador como las pilas, el adaptador de corriente permitirá hacer funcionar la radio seleccionando las posiciones "DYNAMO" (acumulador recargable) o "BATTERY" (pilas) con el mando.

Adquiera en cualquier tienda local de componentes electrónicos o a través del Internet un cable USB equipado con un conector mini USB en un extremo y un conector USB estándar en el otro. De utilizar un cable USB, conecte un extremo al puerto mini USB que se encuentra oculto detrás de la tapa de goma izquierda situada en la parte posterior de la radio y enchufe el otro extremo al puerto USB de un ordenador (con el ordenador encendido) o bien a un adaptador de corriente que incorpore un puerto USB. El funcionamiento de la radio utilizando un cable USB es similar a cuando se utiliza un adaptador de corriente. No obstante, existen algunas excepciones; tal y como se explica a continuación.

Si el cable USB está enchufado mientras el acumulador recargable está conectado y/o con las pilas de tipo AA instaladas, en caso de producirse una interrupción de la alimentación proporcionada a través del puerto USB, la radio utilizará la energía proporcionada por el acumulador recargable siempre que la posición "DYNAMO" (acumulador recargable) esté seleccionada en el mando, o bien la generada por las pilas de tipo AA cuando el mando se encuentre en la posición "BATTERY" (pilas).

CONTROL DE VOLÚMEN

Girando el botón de ajuste del volumen (ubicado en la parte inferior derecha) en el sentido de las manecillas del reloj se sube el volumen; en el sentido contrario baja el volumen. Siempre antes de usar audífonos primero baje el volumen.

COMO CARGAR TELÉFONOS MÓVILES

(cables para la carga de los teléfonos móviles no incluidos)

Si gira el Botón de suministro eléctrico a la posición OFF/PHONE CHARGER la radio cargará teléfonos móviles. Conecte el cable de carga del teléfono móvil al enchufe CARGADOR PARA TELÉFONO USB en la parte trasera de la radio. Conecte la punta del adaptador del cargador del teléfono móvil a la otra punta del cable y luego al enchufe del teléfono móvil. Después coloque el radio al sol o gire la manivela para cargar el teléfono móvil. Aproximadamente 10 minutos de manivela pueden permitir una o dos cortas llamadas de emergencia.

Para adquirir un cable de carga y un adaptador para su teléfono móvil, visite la página web www.igo.com y solicite el cable y adaptador correspondiente a su marca y modelo de móvil.

NOTA: Cuando se carga un teléfono móvil por el cargador USB para teléfono móvil, es importante girar la manivela al menos a 2 revoluciones por segundo, o hasta que vea el LED sobre la manivela iluminar verde o naranja. Esto indica que el teléfono es recibiendo suficiente energía desde la radio. Continúe dando manivela a esta velocidad hasta que esté satisfecho con el nivel de carga recibido por su teléfono móvil. Si decide parar de dar manivela por cualquier motivo, por favor espere por lo menos 5 segundos antes de empezar de nuevo. El no seguir estas instrucciones puede causar el daño de su teléfono móvil y por lo tanto Eton renuncia a cualquier responsabilidad y no se hará responsable por ningún daño como consecuencia de este tema.

COMO AJUSTAR LA FECHA

1. Gire el **<Botón de selección de banda>** a la posición **"OFF"** (apagado).
2. Con la radio apagada, pulse brevemente el botón **<MENU>** para acceder al menú de configuración.
3. Presione **<▲>** o **<▼>** brevemente para seleccionar la opción **"AJUSTAR --- FECHA"**.



4. Presione el botón **<SELECCIONAR>** brevemente una vez para entrar al modo de ajuste de fecha.
5. Presione **<◀>** o **<▶>** brevemente para seleccionar la opción **"MES--DIA--AÑO"**.



6. Presione **<▲>** o **<▼>** brevemente para ajustar la opción **"MES--DIA--AÑO"**.
7. Después de ajustar, presione **<SELECCIONAR>** brevemente para guardar.

COMO AJUSTAR EL RELOJ

1. Gire el **<Botón de selección de banda>** a la posición **"OFF"** (apagado).
2. Presione el botón **<MENU>** brevemente para entrar al menú de ajustes.
3. Presione **<▲>** o **<▼>** brevemente para seleccionar la opción **"AJUSTAR --- HORA"**.



4. Presione **<SELECCIONAR>** brevemente una vez para entrar al modo de ajuste de hora.
5. Presione **<◀>** o **<▶>** brevemente para seleccionar la opción **"HORA : MINUTO"**.



6. Presione **<▲>** o **<▼>** brevemente para ajustar la opción **"HORA : MINUTO"**.
7. Después de ajustar, presione **<SELECCIONAR>** brevemente para guardar.

Nota: El reloj posee un formato de 12 horas y mostrará la indicación **"AM"** en la pantalla para señalar la hora durante la mañana, así como la indicación **"PM"** para indicar la hora durante la tarde.

COMO AJUSTAR LA ALARMA DE TONO

La alarma de esta radio pita cuando se activa.

1. COMO AJUSTAR LA HORA DE ALARMA

1. Gire el **<Botón de selección de banda>** a la posición "OFF" (apagado).
2. Con la radio apagada, pulse brevemente el botón **<MENU>** para acceder al menú de configuración.
3. Pulse brevemente el botón **<▲>** o **<▼>** para seleccionar la opción "SET UP ALARM--ALM" (Configurar alarma -- Alrm).



4. Presione el botón **<SELECCIONAR>** brevemente una vez para entrar al modo de ajuste de fecha.
5. Presione **<◀>** o **<▶>** brevemente para seleccionar la opción "HORA : MINUTO"..



6. Presione **<▲>** o **<▼>** brevemente para ajustar la opción "HORA : MINUTO".
7. Después de ajustar, presione **<SELECCIONAR>** brevemente para guardar.

2. COMO ACTIVAR Y DESACTIVAR LA ALARMA

Presione **<ALARMA ENCENDER/APAGAR>** brevemente para activar o desactivar la alarma.

Cuando la función de alarma esté activada, la pantalla mostrará el símbolo "🔔 AL" y la hora configurada para que suene la alarma. Una vez alcanzada la hora especificada para la alarma, el aparato comenzará a emitir tonos.

Cuando la función de alarma esté desactivada, la pantalla mostrará el símbolo "🔔 AL," pero no se mostrará la hora configurada para que suene la alarma..



3. BOTÓN DE SIESTA

Cuando la alarma se activa, al presionar el botón **<SIESTA >** brevemente la alarma se desactivará por 5 minutos ("ZZZ" aparecerá en la pantalla), luego empezará de nuevo.



RECEPCIÓN DE TRANSMISIÓN

1. Seleccione el modo de alimentación eléctrica.
2. Seleccione la banda:

Banda FM: Gire el **<Botón de selección de banda >** a la posición "FM".

Banda AM: Gire el **<Botón de selección de banda >** a la posición "AM".

Banda SW: Gire el **<Botón de selección de banda >** a la posición "SW".

3. Ajuste el volumen: Gire el **<Botón de ajuste del volumen >** para ajustar el nivel del volumen.

4. Como sintonizar estaciones:

Sintonizado manual: Presione **<▲ >** o **<▼ >** brevemente para sintonizar.

Sintonizado automático: Presione y sostenga **<▲ >** o **<▼ >** para sintonizar.

Nota: Cuando escuche FM, extienda la antena telescópica completamente. Cuando sintonice estaciones AM la antena telescópica no es necesaria y puede ser guardada.

5. Como guardar estaciones: mientras reciba la estación deseada, presione **<MENU >** una vez brevemente, "MEMORIA" aparecerá en la pantalla. Presione **<◀ >** o **<▶ >** brevemente para seleccionar la posición de memoria. Luego presione **<SELECCIONAR >** brevemente para guardar la estación. (**Nota:** FM: 20 memorias; AM: 10 memorias; Sw: 10 memorias.)



6. Llamar estaciones: Cuando escuche la radio, presione **<◀ >** o **<▶ >** brevemente.

7. Apagar: Gire el **<Botón de selección de banda >** a la posición **"OFF"** (apagado).

ESCUCHAR ONDA CORTA

Para aprender más sobre onda corta le recomendamos las dos siguientes publicaciones, las cuales son publicadas anualmente y están disponibles en las principales librerías. Adicionalmente, Internet es una gran fuente de recursos para el aprendizaje sobre onda corta.

PASAPORTE AL MUNDO DE LAS BANDAS DE RADIO

Publicado por International Broadcasting Services (IBS); IBS Norte América, Box 300, Penn's Park PA 18943. Teléfono: (215) 598-9018. www.passband.com.

MANUAL DE LA RADIO Y TV MUNDIAL Publicado en E.U.A. por Watson-Guptill Publications, 770 Broadway, 7th Floor, New York, NY 10003-9595. www.watsonguptill.com.

La onda corta permite el escuchar transmisiones a gran distancia incluso sobre países y continentes. La siguiente información le ayudará a obtener los mejores resultados.

- Durante el día, las frecuencias sobre 13 MHz son generalmente mejores.
- En la noche, las frecuencias bajo 13 MHz son generalmente mejores.
- Durante el amanecer y atardecer, todas las frecuencias de onda corta pueden ser buenas.

El acercarse a una ventana y sostener la radio con su mano mejora la recepción de onda corta.

BANDA	MEGAHERTZ (MHz)	KILOHERTZ (KHz)
120 m	2.300-2.495 MHz	2300- 2495 KHz
90 m	3.20-3.40 MHz	3200- 3400 KHz
75 m	3.90-4.05 MHz	3900- 4050 KHz
60 m	4.750-5.1 MHz	4750- 5100 KHz
49 m	5.8-6.2 MHz	5730- 6300 KHz
41 m	7.1-7.60 MHz	6890-7600 KHz
31 m	9.4-10 MHz	9250-9995 KHz
25 m	11.5-12.2 MHz	11500-12200 KHz
22 m	13.57-13.87 MHz	13570-13870 KHz
19 m	15.000-15.800 MHz	15005-15825 KHz
16 m	17.55-18 MHz	17480-17900 KHz
15 m	18.9-19.02 MHz	18900-19020 KHz
13 m	21.45-21.85 MHz	21450-21850 KHz

RECEPCIÓN DE FRECUENCIAS DEL CLIMA

Para escuchar su estación del clima total, extienda la antena, encienda la radio y seleccione WB con el selector de banda. Suba el volumen y presione los botones ▲▼ para escuchar todos los 7 canales del clima. Probablemente usted escuchará un solo canal, pero si usted escucha la transmisión en más de un canal, seleccione el más fuerte. El más fuerte usualmente será su estación del clima local. A continuación están las frecuencias que corresponden a los canales de la radio:

- Canal 1 162.400 MHz
- Canal 2 162.425 MHz
- Canal 3 162.450 MHz
- Canal 4 162.475 MHz
- Canal 5 162.500 MHz
- Canal 6 162.525 MHz
- Canal 7 162.550 MHz

COMO AJUSTAR PARA RECIBIR ALERTAS DEL CLIMA

Las alertas del clima se reciben de tres formas:

1. La luz del indicador de alerta se enciende.
2. Alerta del tiempo aparece en la pantalla.
3. El timbre de alerta suena.

Para ajustar el canal de recepción de alertas, use el siguiente método y ajústelo a su canal más fuerte.

- 1) Gire el **<Botón de selección de banda>** a la posición "OFF" (apagado).
- 2) Presione el botón **<MENU>** brevemente para entrar al menú de ajustes.
- 3) Presione **<▲>** o **<▼>** brevemente para seleccionar la opción "WEATHER" (clima).



- 4) Presione **<SELECCIONAR>** brevemente una vez para entrar al modo de ajuste del clima.
- 5) Presione **<▲>** o **<▼>** brevemente para seleccionar el canal de clima más fuerte (CH1 ~7).
- 6) Después de ajustar, presione **<SELECCIONAR>** brevemente para guardar.

COMO AJUSTAR EL MODO DE ALERTA

- 1) Gire el **<Botón de selección de banda>** a la posición "OFF" (apagado).
- 2) Presione el botón **<MENU>** brevemente para entrar al menú de ajustes.

- 3) Presione <▲> o <▼> brevemente para seleccionar la opción "ALERT MODE" (modo de alerta).



- 4) Presione <**SELECCIONAR**> brevemente una vez para entrar al modo de ajuste del modo de alerta.
- 5) Presione <▲> o <▼> brevemente para seleccionar el modo de alerta (SIREN-Sirena & VOICE - Voz).

Nota: El modo seleccionado se mostrará en la pantalla.

- 6) Después de ajustar, presione <**SELECCIONAR**> brevemente para guardar.

COMO AJUSTAR LOS CÓDIGOS DE CONDADO (CÓDIGOS CLC EN CANADA)

El ajuste de los códigos de condado se describe a continuación.

Un código de condado le indica a la radio solamente recibir una ALERTA cuando el código esté programado. Para buscar los códigos de condado en Estados Unidos diríjase al siguiente sitio web: <http://www.nws.noaa.gov/nwr/indexnw.htm#sametable>

Para buscar los códigos CLC canadienses diríjase a:
http://www.msc-smc.ec.gc.ca/msb/weatheradio/transmitter/index_e.cfm

Su radio puede ajustarse para recibir uno de los códigos (SINGL) a 23 (MULTI), o puede recibir la información de TODO la información codificada enviada desde cualquier transmisor, si usted está al alcance. Cuando ajusta los códigos, solo recibirá alertas cuando este en el condado o dentro de la distancia de recepción de la señal.

Para ajustar los códigos:

- 1) Gire el **<Botón de selección de banda>** a la posición "OFF" (apagado).
- 2) Presione el botón **<MENU>** brevemente para entrar al menú de ajuste.
- 3) Presione **▲** o **▼** brevemente para seleccionar la opción "COUNTY CODE" (código de condado).



- 4) Presione **<SELECCIONAR>** brevemente una vez para entrar al modo de ajuste del código de condado (MULTI, SINGL o ALL), el cual parpadeará en la pantalla.
- 5) Si usted no conoce su código de condado, seleccione ALL (todo) con **▲** o **▼** y presione **<SELECCIONAR>** y luego **<MENU>** para salir. Si conoce su código, no presione SELECCIONAR y continúe con la siguiente sección.
- 6) Presione **▲** o **▼** brevemente para seleccionar MULTI o SINGL y presione **<SELECCIONAR>**.
- 7) Presione **<SELECCIONAR>** brevemente de Nuevo para entrar el código. CÓDIGO 01 XXXXXX se mostrará en la pantalla, con 01 parpadeando.
- 8) Presione **<SELECCIONAR>** de nuevo y el primer dígito de seis empezará a parpadear. Presione **▲** o **▼** para ajustar el primer dígito y luego presione **▶** para ir al segundo dígito, continúe haciendo esto hasta que se hayan entrado los seis dígitos.

- 9) Si esta en SINGL, presione **<SELECCIONAR>** y luego **<MENU>** para salir. Si esta en MULTI, continúe con el siguiente paso.
- 10) Si esta en MULTI y desea entrar más códigos, presione **<SELECT>**.
- 11) 01 parpadea. Presione **▲** o **▼** para ir al ajuste de otro número del código (1-23 parpadea) y presione **<SELECT>**.
- 12) El primer dígito de seis parpadea, use **▲** o **▼** para ajustar y presione **▶** para entrar el siguiente número, continúe haciéndolo hasta que haya entrado todos los seis dígitos.
- 13) Presione **<SELECT>** para escoger otro número de código (1-23) y luego cuando termine presione **<SELECT>** y **MENU** para salir.

RECEPCIÓN DE CÓDIGOS DE EVENTOS

Su radio puede recibir información de 'códigos de eventos' durante alerta del clima. Estos códigos son identificados en http://www.nws.noaa.gov/os/eas_codes.shtml.

Las alertas del clima Canadienses están señaladas en: http://www.msc-smc.ec.gc.ca/cd/brochures/warning_e.cfm#top.

COMO HABILITAR/DESABILITAR

Los modos de alertas pueden seleccionarse para no aparecer seleccionando DESABILITAR o aparecer seleccionando HABILITAR.

- 1) Gire el **<Botón de selección de banda>** a la posición **"OFF"** (apagado).
- 2) Presione el botón **<MENU>** brevemente para entrar al menú de ajustes.

- 3) Presione <▲> o <▼> brevemente para seleccionar la opción "DEFEAT" (derrota).



- 4) Presione <SELECCIONAR> brevemente una vez para entrar al modo de ajuste DEFEAT.
- 5) Presione <▲> o <▼> brevemente para seleccionar el mensaje de alerta que desea retirar o habilitar.
- 6) Presione <◀> o <▶> para seleccionar entre DESABILITAR o HABILITAR (impreso bajo el mensaje en la parte derecha de la pantalla).
- 7) Después de ajustar, presione <SELECCIONAR> brevemente para guardar.

ALERTA

Antes de usar la función de **ALERTA**, ajuste la radio a la estación del clima más fuerte. Después, gire el **<Botón de selección de banda>** a la posición "ALERT" (alerta). La luz del indicador de alerta se encenderá.

ABRIR/CERRAR EL TIMBRE DE ALERTA

Mientras el timbre de alerta suena, usted puede presionar el botón **<ALERTA-ENCENDIDO / APAGADO>** (en el espacio sobre la pantalla – lado derecho) brevemente para silenciar el timbre, luego presiónelo brevemente de nuevo para reactivar el timbre.

BOTÓN MULTIFUNCIÓN

El interruptor de función tiene 4 posiciones. La superior es la posición **OFF** (apagado), luego **LINTERNA, SOS y SIRENA**. Todas las posiciones excepto OFF están marcadas con un ícono. La posición **OFF** apaga la función.

La posición **LINTERNA** "☾" enciende la luz blanca (lado izquierdo de la radio) con el radio encendido o apagado.

La posición **SOS** "⊗" enciende la luz intermitente roja. Puede ser usada con la radio encendida o apagada.

La posición **SIRENA** "⚡" enciende la sirena. Puede ser usada con la radio encendida o apagada.

REGISTRO DE LA GARANTÍA

Para piezas y mano de obra. Para asegurar una plena cobertura por parte de la garantía o de actualizaciones del producto, usted deberá completar el registro de su producto lo antes posible después de su compra o recibo. Sírvase de cualquiera de las opciones siguientes para registrar su producto:

1. Visita a nuestro sitio web <http://www.etoncorp.com>.
2. Envío por correo de la tarjeta de garantía incluida.
3. Envío de su tarjeta de registro o sus datos a la dirección siguiente; incluyendo su nombre, su dirección completa de envío, su número de teléfono, el modelo comprado, la fecha de compra, el nombre del establecimiento de venta, y el número de serie del producto (localizado generalmente en/cerca del compartimiento de las baterías):

Eton Corporation

1015 Corporation Way
Palo Alto, CA 94303

GARANTÍA LIMITADA

Conserve la información de la garantía presente en su tarjeta de garantía junto a su prueba de compra; o bien puede obtener información acerca de la Garantía Limitada en www.etoncorp.com.

SERVICIO DE REPARACIÓN DE SU PRODUCTO

Para obtener un servicio de reparación de su producto, recomendamos, lo primero, que usted se ponga en contacto con un representante del servicio de reparación de Eton, llamando al 800-872-2228 EE.UU., 800-637-1648 Canadá ó (650) 903-3866 para determinar el problema y su solución. Si se requiriera un servicio adicional, el personal técnico le instruirá acerca de cómo proceder, dependiendo de si la radio está todavía bajo garantía o de si necesita un servicio de no garantía.

GARANTÍA – Si su producto aún se encuentra en garantía y el representante de servicio de reparación de Eton determina que es necesario un servicio de garantía, se emitirá una autorización de envío de vuelta acompañada de instrucciones de envío a una tienda autorizada de servicio de reparación de garantía. No envíe su radio de vuelta sin previa obtención de un número de autorización de devolución.

NO GARANTÍA – Si su producto ya no se encuentra en garantía y requiere de servicio de reparación, nuestro personal técnico le referirá a la instalación de reparación más cercana y que mejor sea capaz de hacerse cargo de la reparación.

Para el servicio de reparación fuera de Norteamérica, por favor refiérase a la información del distribuidor incluida en el momento de compra/recibo del producto.



Etón Corporation

Corporate Headquarters
1015 Corporation Way
Palo Alto, California 94303 USA
tel +1 650-903-3866
tel +1 800-872-2228
fax +1 650-903-3867

Etón Canada

1 Yonge Street, Suite 1801
Toronto, Ontario M5E 1W7 Canada
tel +1 416-214-6885