

Installation Instructions for The Rack, Rear Section™

Problems with this product or need help? call toll free 866-284-7428

Thank you for your purchase. We know you will enjoy this unique rack especially designed for off road use.

Tools Needed

Socket Set/Allen Set
Crescent-type Wrench
Screw driver
Tape Measure

Parts List

Qty.	Item	Pt. No.
1	Instruction sheet	1
1	Top rail	7
1	Vertical support	8
1	Back tire support	9
1	Front tire support & slide	10
2	1/2" eye bolt	11
2	1/2" flat washer	12
1	3/8" eye bolt w/nut	13
4	1/4" X 3/8" Set Screw	16
6	1" End Caps	

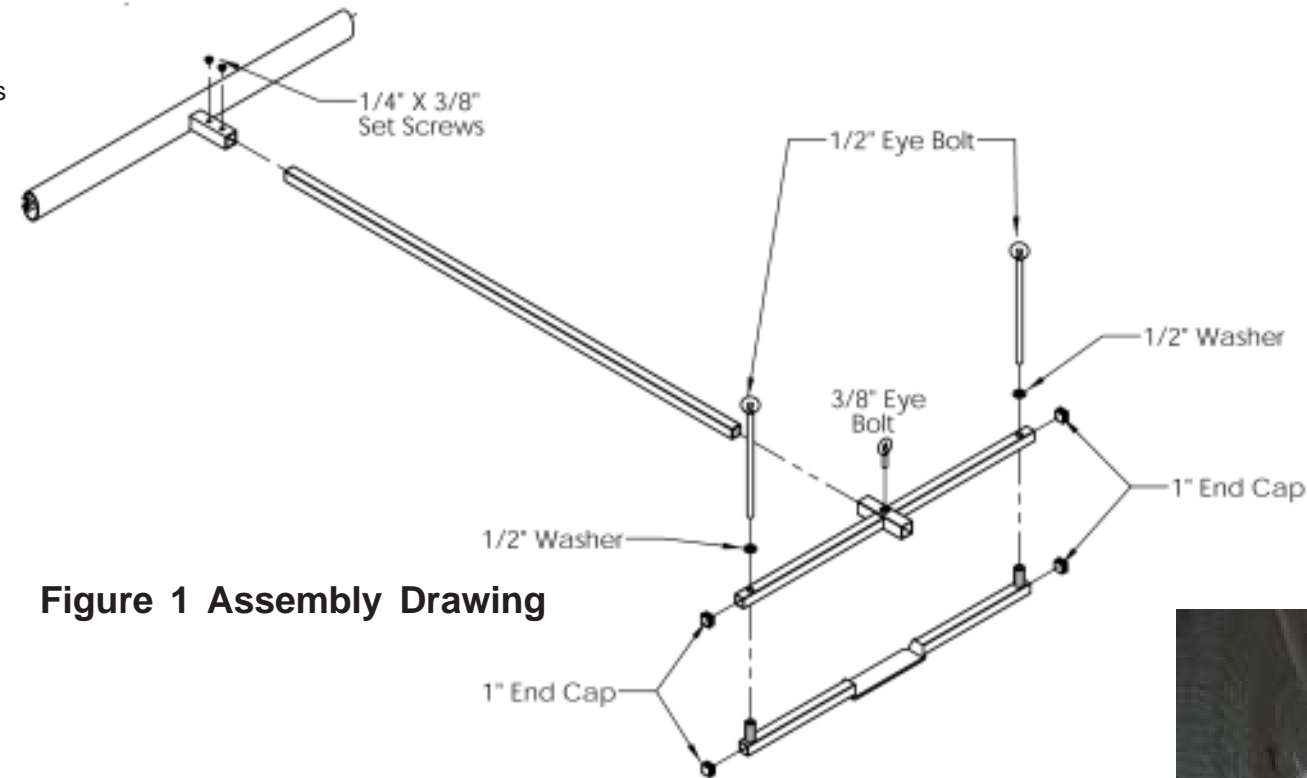


Figure 1 Assembly Drawing



Warranty

Lange warranties this product against defects for one year from the date of purchase. Soft parts or straps are warranted for 90 days. This warranty does not cover damage due to abuse or neglect. This warranty does not cover consequential damage of bikes or vehicles other than replacement or repair

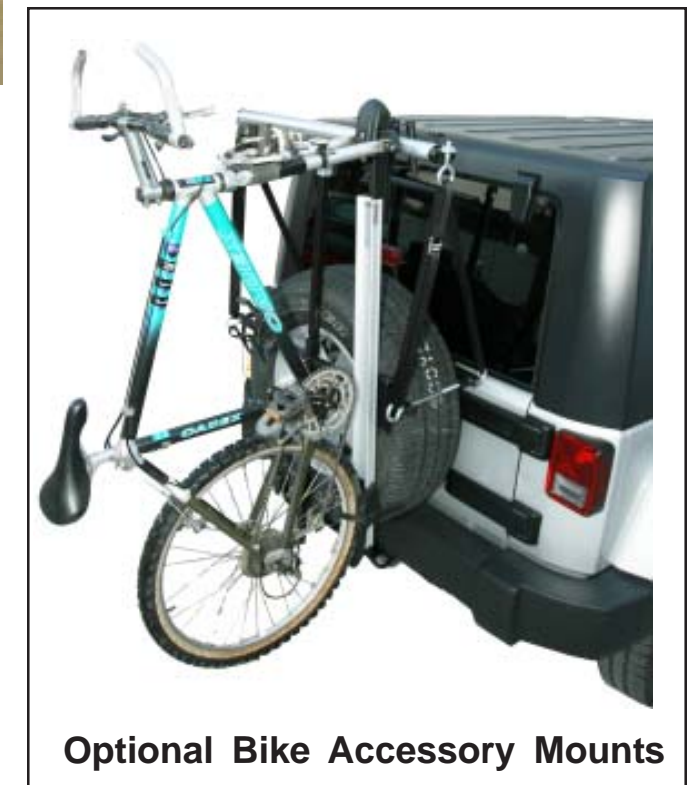


Figures 2 Mounting on the Tire

Installation

Assemble the The Rack as shown in fig. 1. (The drawing references the numbers from the parts list.) After assembly, leave the long eyebolts just a thread or two into the long nuts. **Next, slide The Rack over your spare tire as shown in the four photos in fig. 2.** Make sure the rack is well over the tire as shown. Note the rear support arm is designed to wrap around the center-high mounted tail light. Tighten all screw-eyes with the screw driver as a lever.

Note: there is some adjustment of the vertical support, either up or down, depending on application. When this point is found tighten the eyebolt securely into the vertical bar and secure the lock nut. Bolts clamping the tire should compress the tire (make sure the tire has and maintains at least 32 pounds of pressure).



Optional Bike Accessory Mounts

3651 South 700 East
Salt Lake City, Utah 84106
Phone - 801•262•7322
FAX - 801•262•5087
www.langeoriginals.com



www.langeoriginals.com

Installation Instructions for The Rack, Front Section™

Thank you for your purchase. We know you will enjoy this unique rack especially designed for off road use. Follow these directions carefully for easier installation and operation.

Tools Needed

Socket Set
Crescent-type Wrench

Parts List

Qty.	Item	Pt. No.
1	Instruction sheet	0
1	Top Rail	2
2	Side Tubes	3
2	1/2" flat washer	4
2	1/2" Bolt	5
2	Side Brackets	6
2	3/8" Knob	7
4	5/16" flat washer stainless	8
4	5/16" Bolt stainless	9

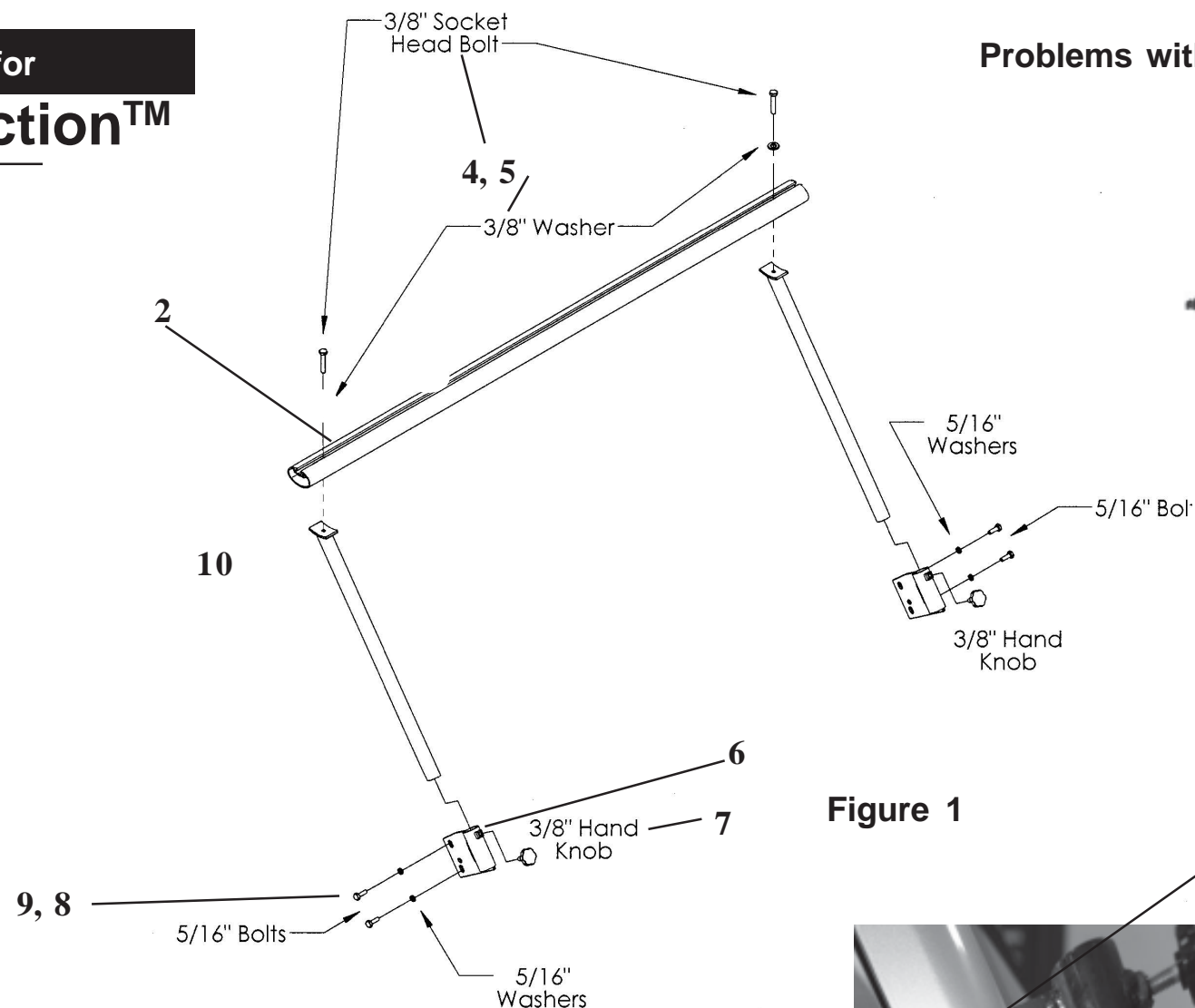
Installation

Remove the windshield screws from the side of the windshield frame. Then, install the side brackets (6). Some JK model wranglers have several holes to choose from. See fig. 1.1 for the correct mounting holes for JK. Use the stainless fasteners provided for CJ, YJ, and TJ. For JK, use the existing fasteners you just removed.

Next assemble The Rack as shown in fig. 1 by *doing the following in order*: Place the Upright Tubes (3) in the side brackets, install the 3/8" Knobs (7) but do not tighten until the complete frame is assembled.

Next, bolt the Top Rail (2) in place using washers and stainless socket head bolts. Note that the open track space in the bar should be up.

Hint: The bolts and washers should be installed from the side opening of the oval Top Rail. They will not fit



going straight in through the top slot. Lift the Top Rail away from the Upright Tube, slide the washer, then the bolt in through the side and while holding the Top Rail up away from the Tube, manipulate the bolt and washer into place, then screw the bolt into the threads in the Upright Tube. Tighten the bolts on both sides of the Top Rail while aligning the bars.

Next tighten the 3/8" stainless knobs to secure the frame.

Top Bar Uses
You may want to purchase optional accessories specifically designed for The Rack which support a canoe and kayaks. Order on-line the factory at www.langeoriginals.com or call Toll Free 866-284-7428. If you do not purchase the optional support clamps make sure your load will not shift to the sides. Use appropriate attachment devices to secure your load. Cross winds are dangerous. Always secure your load carefully and observe speeds that are slower than normal.

Problems with this product or need help? call toll free 866-284-7428



**Optional Accessories For
Mounting Kayaks, Canoes, or
Other Devices**
Call Lange or Your Dealer for More Information

Figure 1

JK Models, 2007 and up, must use the OEM original bolts from the windshield frame to attach the front Rack Bracket.



**Figure 1.1
Bracket Mounting
Location On JK**

Removal
The Rack can be removed by loosening the knobs and lifting The Rack off.

Mounting Water Sports Equipment
Follow the diagrams in figure 2 for placement of canoes, kayaks, or wind surfers. It is important to safely support the equipment by quality tie downs and by positioning the front and rear bars to prevent movement. Pay particular attention to the front and back movement caused by acceleration and braking. A shifting load can leave the rack causing severe damage to your vehicle and to the equipment. Always secure long loads to the front and rear bumper in addition to The Rack.

Hint: If you encounter whistling while driving or in certain wind situations, you may need to cover certain areas of The Rack with tape.