

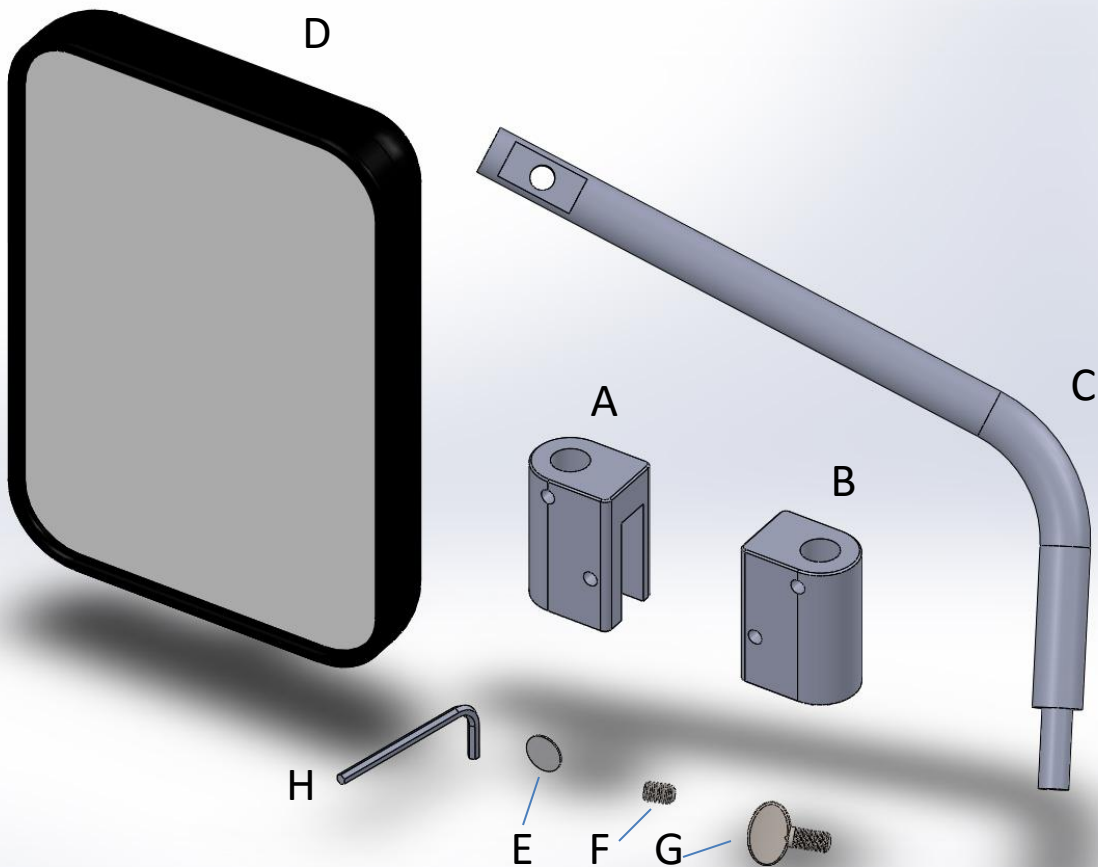


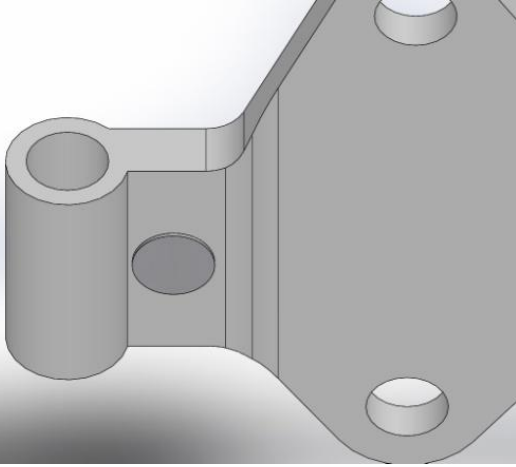
LANGE
Originals

M1-700

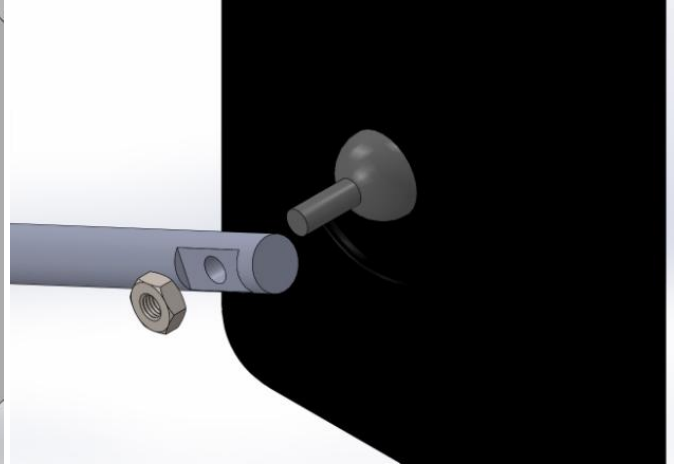
Mirror One Hinge Mount Mirrors

Part:	Qty:	Reference
Driver Side Mirror Block	1	A
Passenger Side Mirror Block	1	B
Mirror Stem	2	C
Mirror Head	2	D
Protection Disc / Adhesive Sticker	2	E
Set Screw	2	F
Thumb Screw	2	G
1/8 Hex Key	1	H

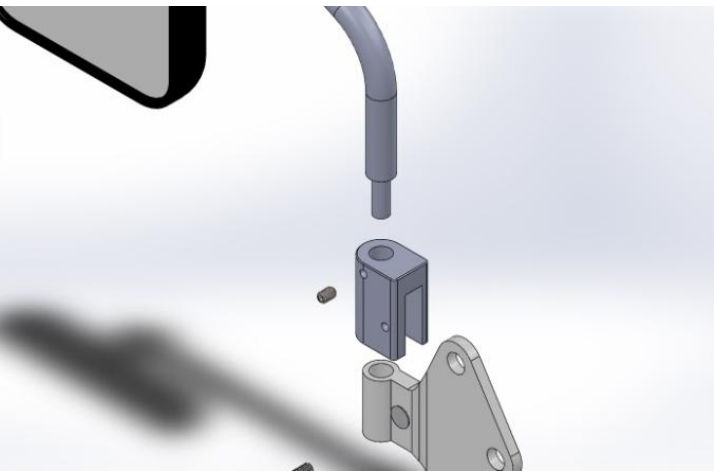




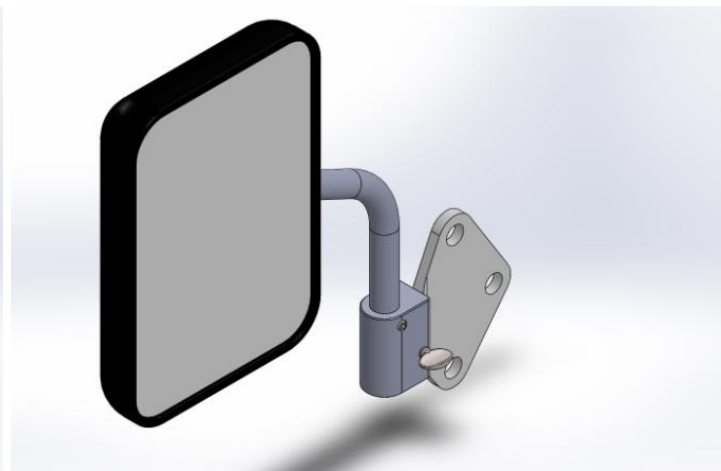
Step 1:
Place protection discs/Adhesive (Part: E) on the Jeep Door Hinges as shown.



Step 2:
Attach the mirror heads to the end of the mirror stems as shown.



Step 3:
Place the Mirror Block over the door hinge and insert the stem into the mirror block.



Step 4:
Tighten the mirror block to the door hinge with the provided thumb screw. Move and adjust the mirror head to the desired position and then tighten with the provided set screw and hex key.

If you have questions, missing parts, or need technical help, call us toll free. You will get faster service and answers to your questions if you call us directly. Do not call your dealer, they will not be able to help you.

Call us Monday thru Friday 9-4:30 MST at: 1 866 284 7428



3651 South 700 East
Salt Lake City, Utah 84106
Toll Free 866 284 7428
www.hoistatop.com
www.langeoriginals.com