

Kwick Kit for Jeep JK Wranglers

Model 020-710 with Billet Clamps

Introduction

Thank you for your purchase of Lange's Quick Kit for JK Jeeps*. Please read all instructions carefully. This product fits both two-door and four-door models. The clamping system uses only two fasteners per side, one in the front and one in the back on each side. This is sufficient to maintain a tight seal and hold the top securely. In addition, a set of pins is included for the additional hole left on each side. This allows alignment of the top in addition to the front pin supplied by Jeep.

Parts Included

Part #	Description	Qty.
1	Anodized Billet Clamps	4
2	Alignment Pins and Nuts	2
3	Nylon Washer/Spacer	4
4	Bolts with Rosette Knob	4

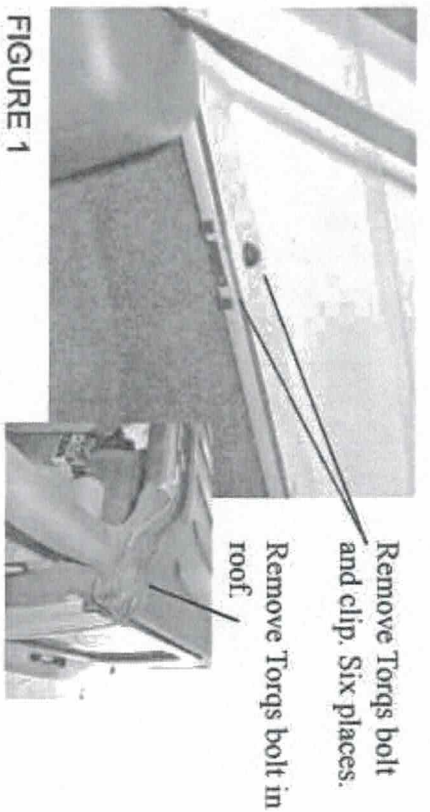
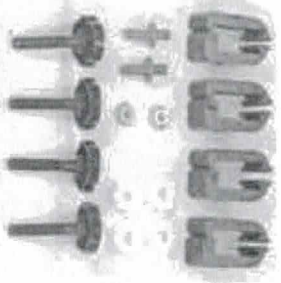


FIGURE 1

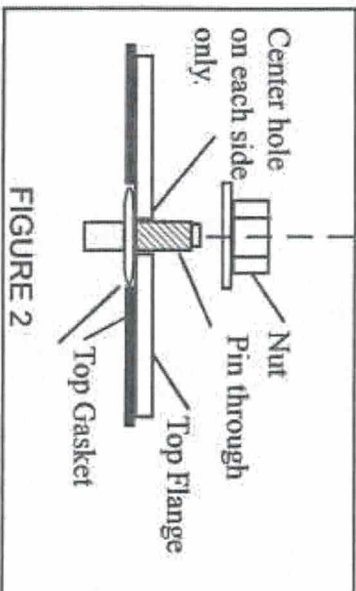


FIGURE 2

Installation

Remove all the original Jeep hardware which includes the three torqs bolts and the capture nuts as shown in figure 1. On four-door models remove the two screws on the front of the top next to the roll bar, see figure 1 side bar.

Remove the top and install the Alignment Pin in the center hole on both sides as shown in figure 2. Remove the gasket material on the underside of the top with a razor blade so that the washer fits flush with the top.

Note: This step of installing the Alignment Pin is optional. You may wish to delete this step if you feel comfortable with the security of your top.

Replace your top if removed for the step above and then clamp your top with the Clamps as shown in figure 3. Tighten securely and check seal.

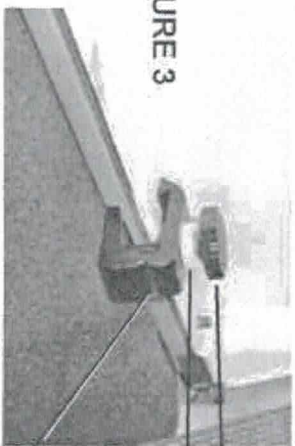


FIGURE 3

3651 South 700 East
Salt Lake City, Utah 84106
Phone - 801-262-7322
FAX - 801-262-5087
www.langeoriginals.com



LANGE
Originals

Design patents pending. *Jeep is a trademark of Chrysler Corp. Warranty and returns are subject to Lange's published policies at www.langeoriginals.com

For questions or missing parts call our Tech Line

Toll Free at 1 866 284 7428