

Installation Instructions

Introduction

The Kwick Top Kit for TJs is designed to help you remove your Jeep hard top quickly and easily. It really makes removal simpler and quicker--you won't have to hunt for parts, fumble with square nuts, and fight the wiring and hoses under the body tub lip. The premium hardware supplied in this kit replaces the standard Jeep* fasteners. The Kwick Kit lets you remove your top just using your hands. Special patented clamps adjust and secure your top to the body tub. There are four clamps supplied with this kit which is ample to replace the six bolts supplied as original fasteners. In addition, four special pins and nuts are attached to locate the top and keep the top from moving while being held by the clamps. This will amply hold the top to the body. Your Kwick Kit II should install in about one hour and requires NO drilling.

Tools Required

Socket set or adjustable wrench.

Parts Included

Qty.	Item/Description
4*	Clamps, Knobs, Nylon Washers
4*	5/16" Flange Nuts
4*	Special Pin Bolts
	Instructions

*Note: Unlimited Kwick Kit™ models have six parts due to the increased top length.

Installation Steps

Read through these instructions carefully before starting!

Remove the top from your Jeep by unbolting the six fasteners (three on each side) and remove the wiring/hose harness from the left-rear corner (see the factory owners manual for more detailed information). Place the top on some stands or saw horses (requires two people). Make sure the top is stable and won't fall while you work on it.

Install the pin bolts and nuts as shown in the figure 1 on each outer corner of the top.

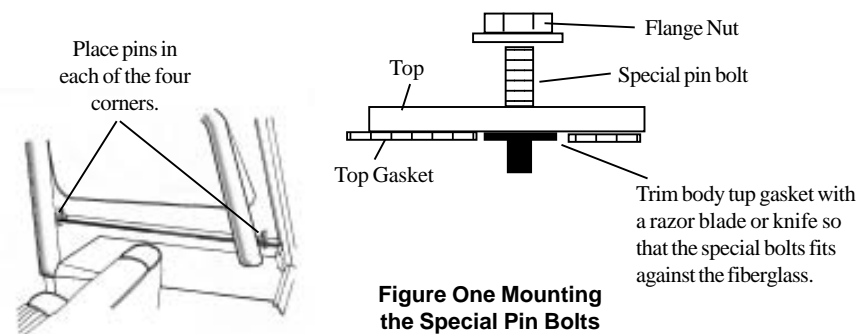


Figure One Mounting the Special Pin Bolts

Next, replace the top back onto the Jeep, being careful to set the newly installed pins through the appropriate holes in the Jeep body tub. Then, assemble the clamps as shown and install as in figure 2. Tighten the black knobs securely. Check for tightness again after 25 miles. **For additional protection for your paint on the body tub rail, we recommend our Paint Saver. See your dealer for more information.**

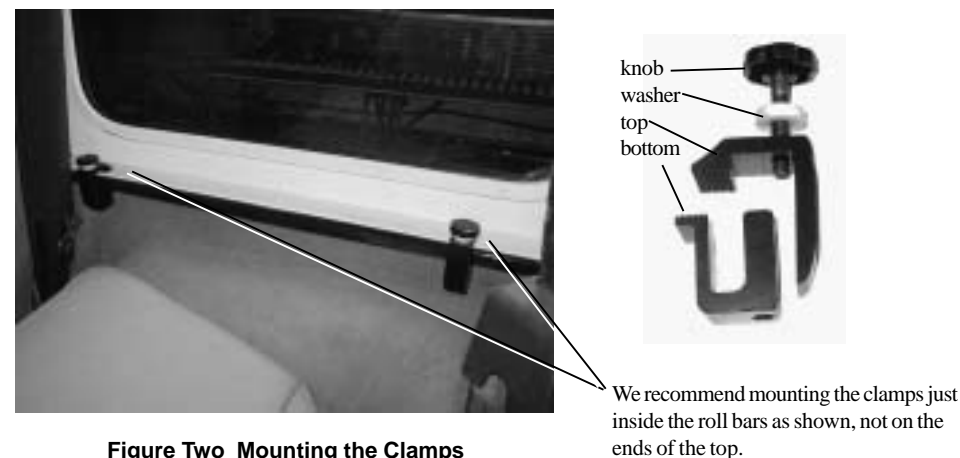
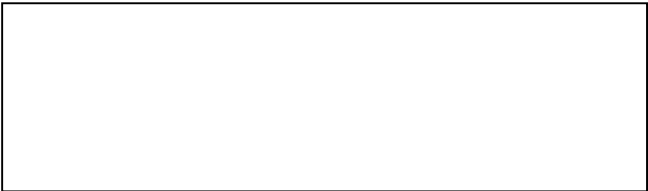


Figure Two Mounting the Clamps

NEW

Kwick Top Kit TJ™ Installation Guide



Removal & Adjustments Hints

Don't forget to unlatch and unscrew all components before removing your top. Remove all electrical connections.

Occasionally check and retighten the mounting knobs.

Questions

If you have questions or gripes, please call toll free 866-284-7428. We'll try and help any way we can. We use the product ourselves and like it, we hope you will too.

Warranty

We give a one year warranty from the date of purchase on this product if installed according to these instructions. This warranty covers parts if found defective and does not include a provision for adjustment if abused or damaged due to neglect or misuse. This warranty is void on vehicles used in commercial service. Please call customer service toll free (866-284-7428) for return instructions and warranty verification.

A Note About Jeep Tops

This is a specialized utility vehicle designed for both on-road and off-road use. Because of its open-body construction, your Jeep vehicle offers less protection than closed vehicles in the event of an accident. The Kwick Kit does not offer additional strength to the Jeep top other than that provided by the original factory hardware. The fiberglass top on Jeep products is not designed to hold up under a roll-over or an accident. These tops only give protection from the weather and do not offer structural protection. Wear a seat belt at all times and drive carefully.

**For Jeeps*
TJ Models &
Unlimited
Takes Just Seconds
To Remove Your Top.**



If you have a problem with missing parts or need help, do not call your dealer, call Lange directly
**TOLL FREE
866-284-7428**
for prompt attention.



Lange Originals

3651 South 700 East
Salt Lake City, Utah 84106
Phone: 801-262-7322
FAX: 801-262-5087
www.langeoriginals.com