



JT Gladiator Power Instructions



langeoriginals.com
Lange Originals
3651 S. 700 E.
Salt Lake City, UT
801-262-7322



Parts List

Parts are listed by part number, description, and quantity. The part number may be referenced in the instructions designated by parenthesis () for your convenience. **Parts are updated periodically and may vary in color or shape.**

014-JTP Hoist-A-Top Power for Gladiator

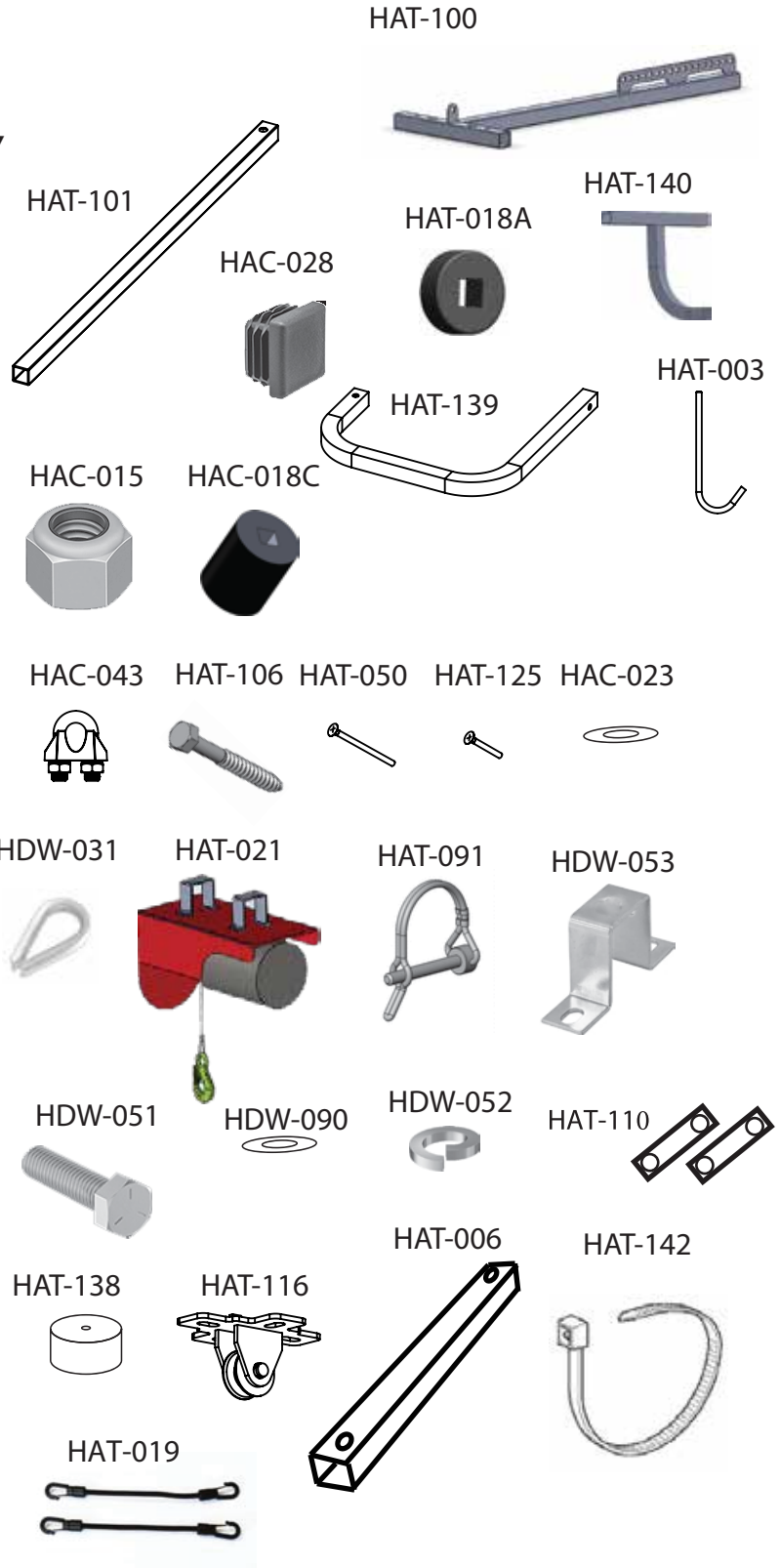
Part Number	Description	Qt
Frame		
HAT-101	Support Arms	2
HAT-100	"T" Section with Lifting Blade	1
HAT-018A	Black Round Foam 2"	4
HAT-003	"J" Hooks	2
HAT-139	C-Shaped Rear Support Adapter	1
HAT-140	Rear Stabilization Arm	1
HAT-018C	Black Round Foam 4"	2
HAT-142	Zip Ties for Foam	2
HAT-019	Bungees (set of 2)	1

Hardware Parts Bag

HAC-028	Small Plastic End Caps	2
HAC-015	Nylon Insert Lock Nut	2
HAT-050	Zinc Plated 3.5" Screws	14
HAT-125	1.5" Wood Screws	9
HAC-043	Wire Rope Clamps	8
HAT-106	4" Lag Screw	2
HAC-023	3/8 Flat Washer	2
HDW-031	Wire Thimbles	2
HDW-091	Lock Pin	1
HAT-110	Grommet Straps	2

Power Unit & Mounting Components

HAT-021	Power Unit	1
HDW-053	U-Bracket for Power Unit	2
HDW-051	Bolts for U-Bracket	4
HDW-090	Washer for U-Bracket	4
HDW-052	Lock Washer for U-Bracket	4
HAT-006	Power Unit Mounting Bar	1
HAT-116	Single Flush Mount Pulley	2
HAT-138	Weighted Safety Stop	1





Lange Power Unit Installation Instructions

Tools needed: Safety glasses , gloves, screwdrivers, socket wrench set with driver and sockets, drill, standard drill bits, stud-finder, and chop saw/skill saw.

Installation Time: 1-3 hours depending on experience

Specialized tools not required. Person should have a basic knowledge of common household tools Note that text underlined in the installation guide is found in a glossary of terms in the back of the guide.

Lifting Cautions

All Garages are different. Carefully watch the video and read the written instructions before installing. If you are unsure or uncomfortable with installing this product contact a structural professional. Always test this mechanism using a static and live load. Misuse or improper installation of this product can result in serious injury or death. Follow all safety rules and regulations of tools and ladder. Wear safety glasses, gloves, and boots while installing this product. Never walk under or allow others to either play, stand, or work under the lifted top. Keep your body, especially your hands away from edges of the top. We recommend you push or pull the top from the side and not use the bottom edge. Periodically check the Hoist-a-Top® system for tightness, damage, or bent parts. Never lift your top tight against the ceiling. This puts undue stress on the top and the hoist. Lange Originals® is not responsible for damage or personal injury due to improper installation, custom installation that doesn't follow the instructions, or neglect.

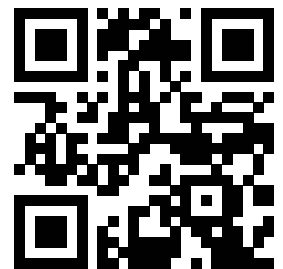
If you need help or are missing a part DO NOT CALL YOUR DEALER. Contact Lange Originals directly 1-801-262-7322 We offer technical support Monday through Friday 9:00 AM to 4:30 PM Mountain Standard Time. Send us an inquiry via our website langeoriginals.com or contact1@langeoriginals.com.

Most questions are answered visually by watching the online video for this product. Scan the QR codes or browse to the instructions tab at langeoriginals.com

We also have a section of the video for removing the hard top latches and wiring etc.

Site Preparation

Determine whether to do a wall mount, or a directly-over-hardtop ceiling mount. The largest determining factor of this is ceiling height. Garages with 7-9 ft ceiling it is recommended that a rear wall installation is done. Garages over 9 ft tall it is recommended that the power unit is installed in an overhead ceiling mount configuration. If your ceiling is anything other than parallel to the floor consult a contractor/professional as additional supports for your power unit will be needed. Plug your power unit into a wall and test it up and down before beginning installation.



*What's this thing? It's a QR code!
Scan it with your phone
to get video instructions
Or go to: www.langeinstructions.com*

Ceiling Mounting

1.) Determine a suitable lifting point:
Back your Jeep in the garage to a suitable parking spot. Run a plumbbob from the center of your hardtop to the ceiling and mark with a pencil.

2.) Install cross bracing:
Using a stud-finder or your preferred method determine the closest stud/TJI set to your plumb-bob mark. Install 2X6 cross braces using provided wood screws (HAT-050) as shown in Fig. C & E

3.) Install the pulley:
Install the single line pulley (HAT-116) one of the 2x6 cross braces using the 4 provided pulley screws (HAT-125). This pulley will need to be offset to line up with the drop cable. Please note that the distance from the center of this pulley to the drop down cable should be 32" apart.

4.) Mounting the power unit:
Install "U" brackets (HDW-053) on the back of the power unit (HAT-021) using the provided bolts and washers that are found in your power unit box (HDW-051/HDW-052/HDW-090). Using a 15/64" drill bit, use your mounting bar (HAT-006) as a template to drill pilot holes into your cribbed cross brace. Install one side of the mounting bar (HAT-006) loosely with the lag bolt (HAT-106) and washer (HAC-023). Slide power unit onto the open side of the mounting bar. Thread the remaining lag bolt (HAT-106) with washer (HAC-023) through the other end of the mounting bar (HAT-006), and into the pre-drilled wood. Alternate tightening bolts until they are both snug.

5.) Wiring the cable:
Extend the cable while keeping tension on the wire to avoid bird-nesting. Thread pulley cable through the hole in the casing and spool through the offset pulley. Leave the drop cable hanging down, through the metal safety fair-lead, toward the floor. (Fig. B/F)

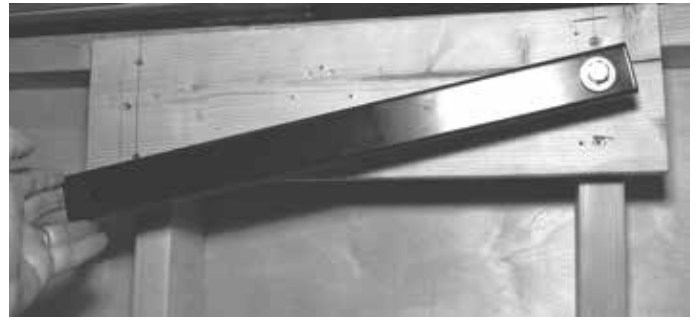


Fig. A

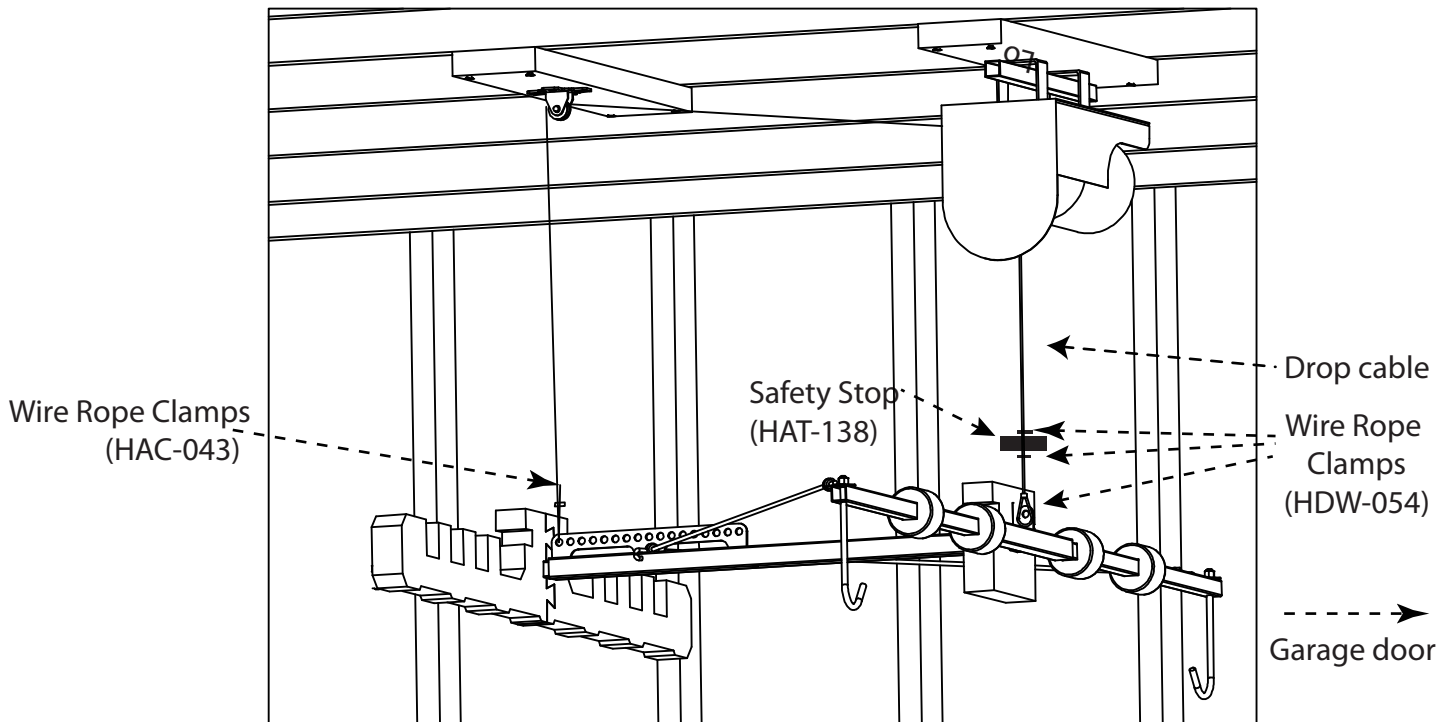
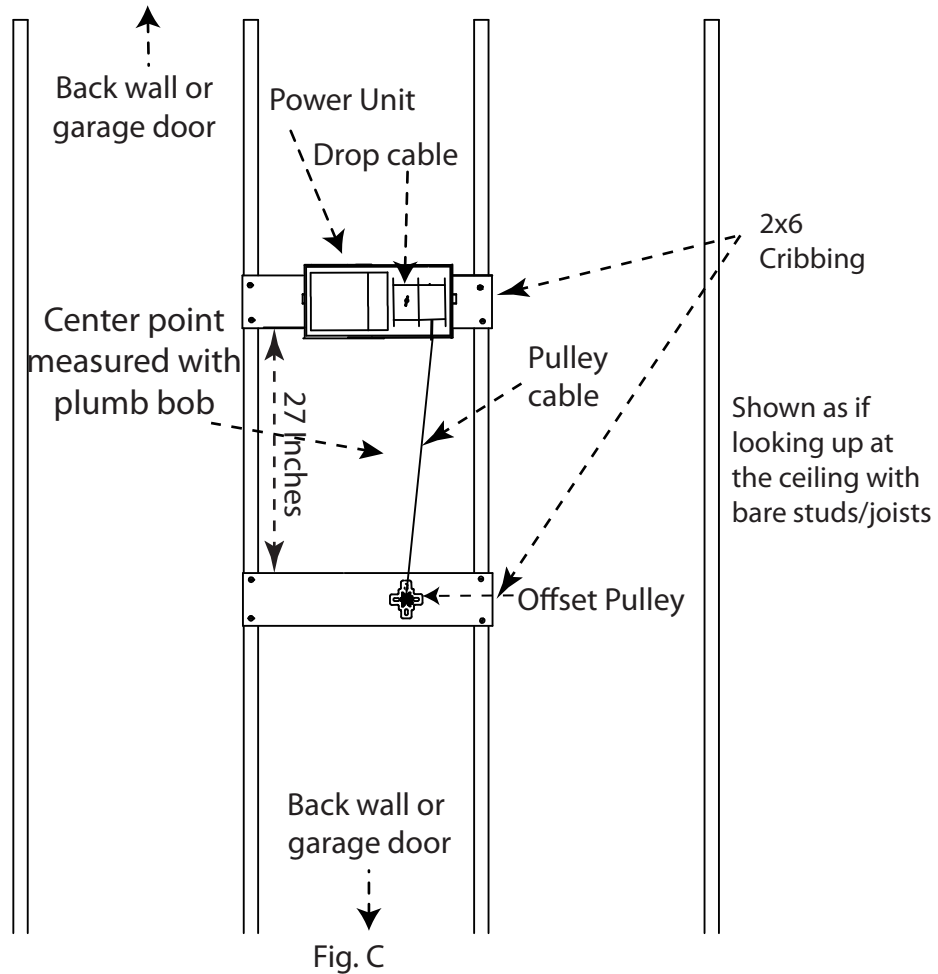
Install one side of the mounting bar fairly loosely with the lag bolt (HAT-106). (With a helper) Slide power unit onto the open side of the mounting bar.



Fig. B

Ceiling Mount (perpendicular studs)

Center the two 2x6 's with the plumb-bob mark. 2x6 boards should be roughly 27 inches apart. Mount the mounting bar (HAT-006) and power unit (HAT-021) to one 2x6 and one of the single pulleys (HAT-116) on another 2x6. Mount the pulley offset so it lines up with the drop cable.



Ceiling Mount (parallel studs)

Install two cross braced 2x6's between studs (typically 16 or 24 inch). Install mounting bracket as shown in Fig. E spanning the two 2x6's. Install the 2x6 in between two ceiling joists centering it with the drop cable. Install the pulley in the center of this 2x6 board 27 inches from the hoist casing.

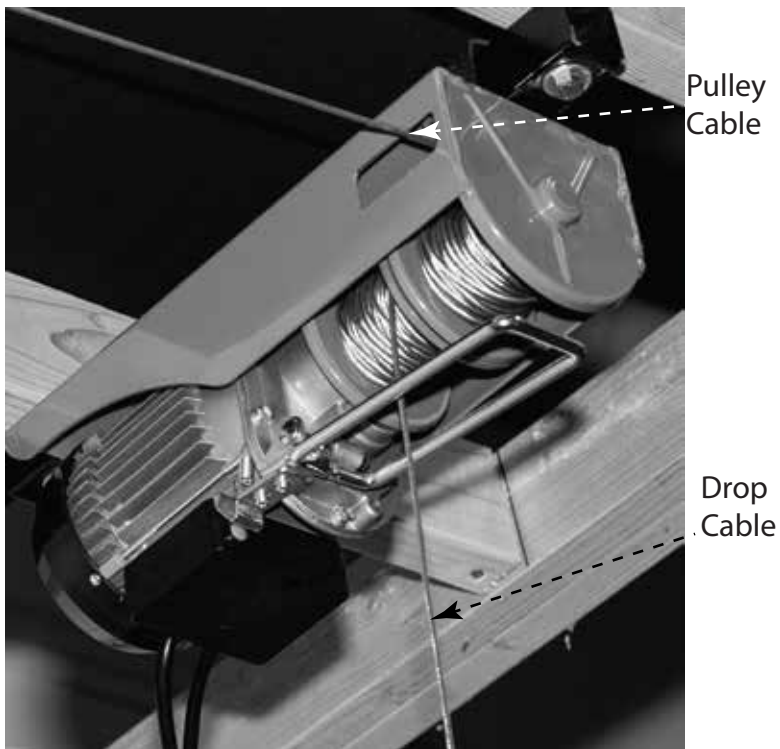
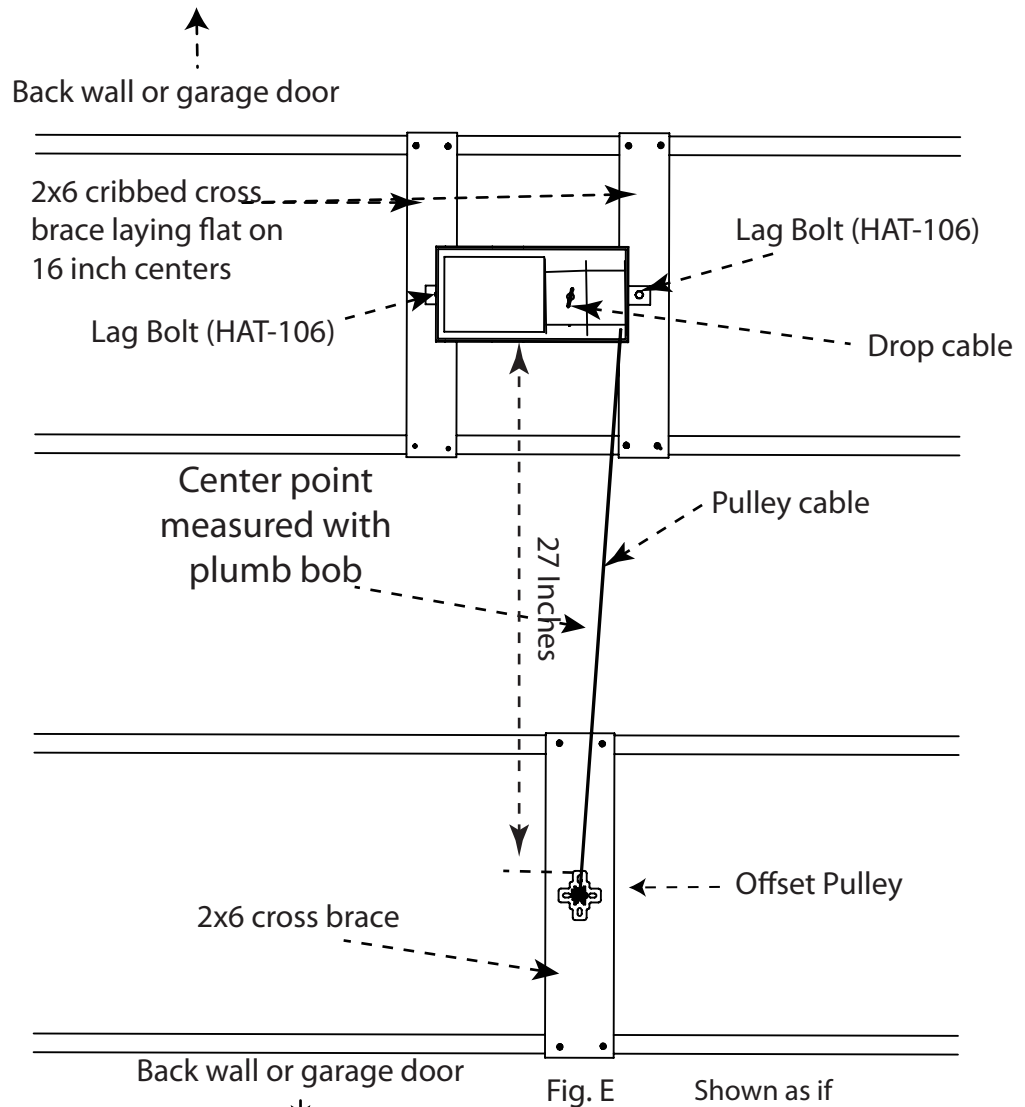


Fig. F

Power Unit Wall Mount

1.) Determine a suitable lifting point:

Back your Jeep into your garage and run a plumb-bob from the center of your hardtop to the ceiling and mark with a pencil. Draw a straight line to the wall you want your power unit on.

2.) Install cross bracing and pulleys on ceiling:

Going back to the plumb bob mark, use a stud finder or your preferred method, find which way the studs/joists are running and reference Fig. H/I to install cross braces using provided screws (HAT-050). Install the two pulleys (HAT-116) using screws (HAT-125) on cross braces 32 inches apart (Fig. G-I) with 1/2" offset. Keep in mind that the center of the pulleys is your lifting point for removing the top.

3.) Install cross bracing on the wall:

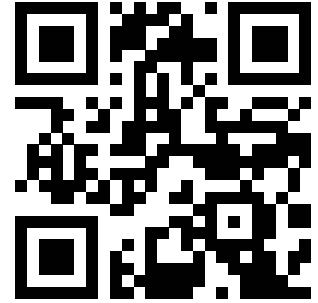
Determine the length between wall studs, closest to plumb-bob line. Cut a 2x6 longer than the span and screw it flush with the ceiling with the provided screws (HAT-050).

4.) Mounting the power unit:

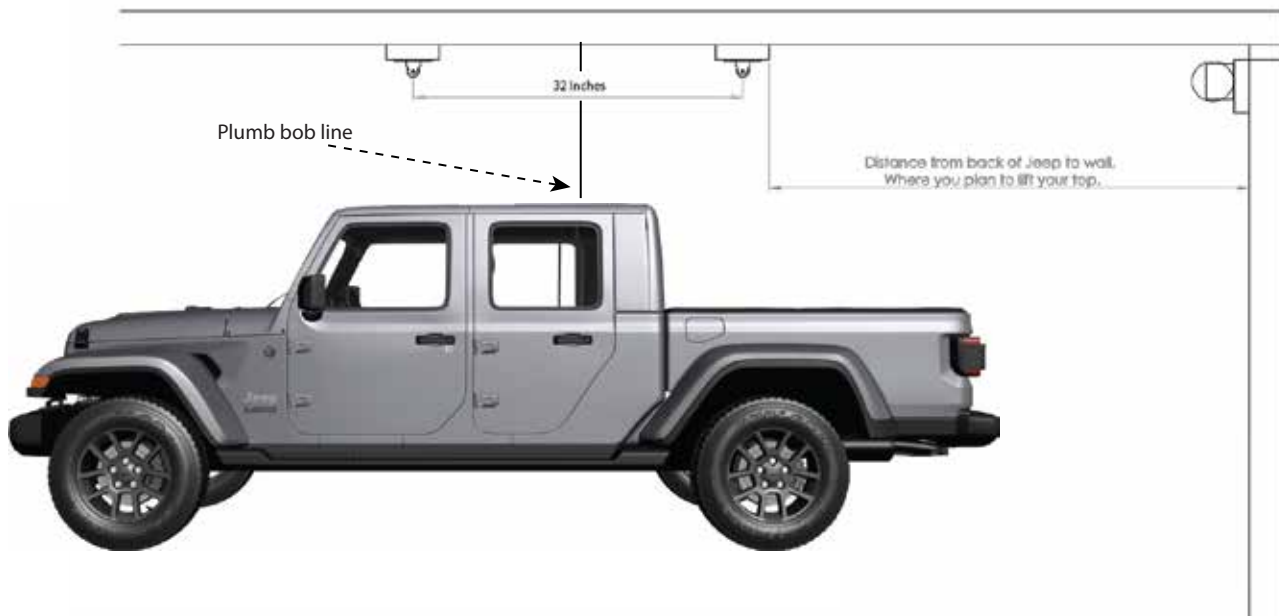
Install "U" brackets (HDW-053) on the back of the power unit (HAT-021) using the provided bolts and washers that are found in your power unit box (HDW-051/HDW-052/HDW-090). Using a 15/64" drill bit, use your mounting bar (HAT-006) as a template to drill pilot holes into your cribbed cross brace. Install one side of the mounting bar (HAT-006) loosely with the lag bolt (HAT-106) and washer (HAC-023). See Fig. A. Slide power unit onto the open side of the mounting bar. Thread the remaining lag bolt (HAT-106) with washer (HAC-023) through the other end of the mounting bar (HAT-006), and into the pre-drilled wood. Alternate tightening bolts until they are both snug.

5.) Wiring the cable:

Once the power unit is firmly mounted, plug it in and pull the cables out while keeping tension. Thread cables through the safety stop switch fair-lead. Note that the cable will not go up if the stop fair-lead is interfered with. Thread cable through both pulleys (HAT-116) previously mounted. Make sure the safety stop is on the longest cable and close to the power unit. Don't install with the cable clamps yet.



Scan here to access video instructions page that breaks down this section or go to: langeinstructions.com



Install two cross braced 2x6's between studs centered on the middle mark you drew with your pencil and plumb bob. The pulleys should be installed 32 inches apart centering the pulley wheels. Be sure to have a 1/2 inch offset on the two pulleys. Install 2x6's with provided long screws (HAT-050). These figures are shown as if you were looking up at the ceiling and the studs were exposed

Parallel Stud Wall Mounting

Perpendicular Stud Wall Mounting

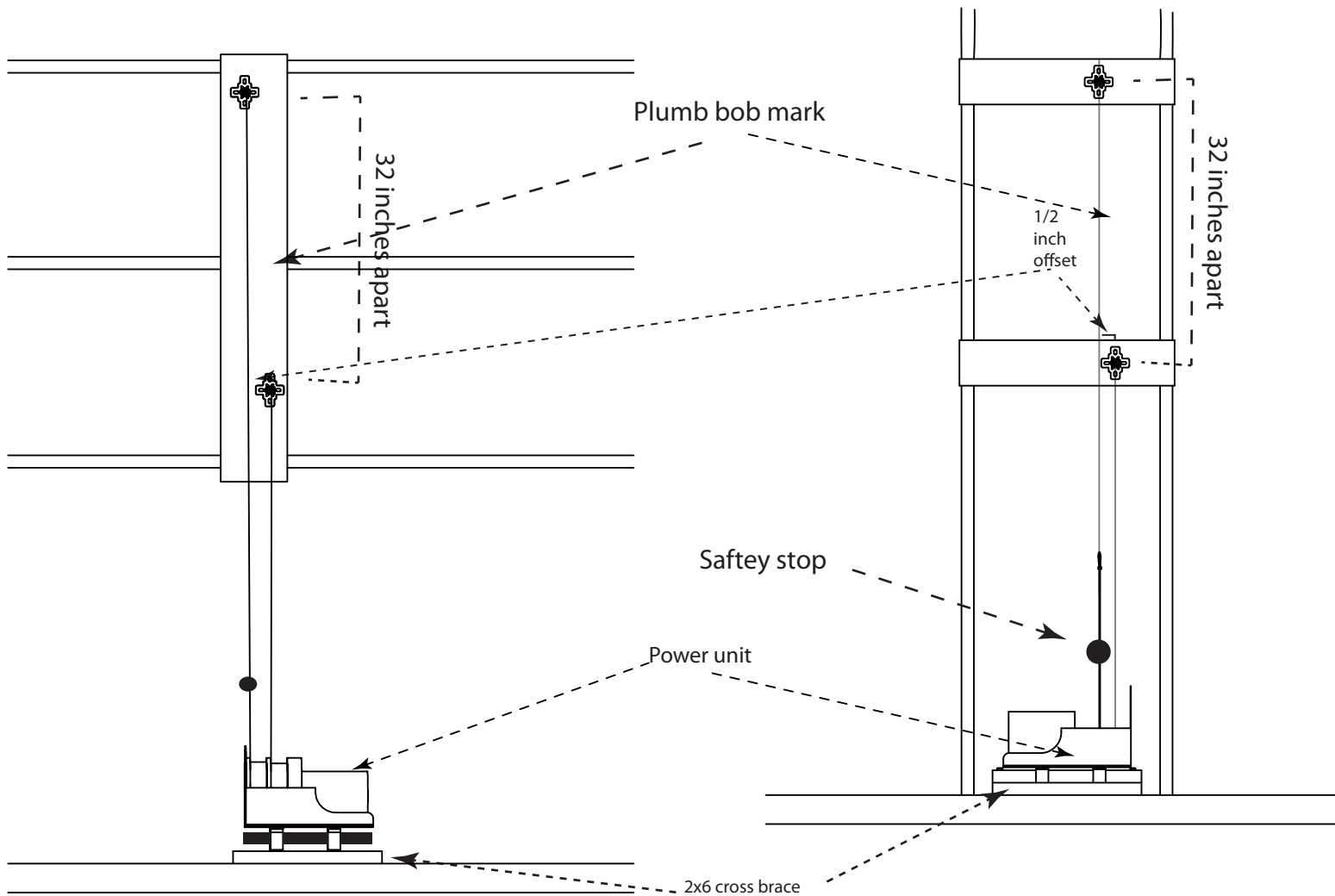


Fig. H

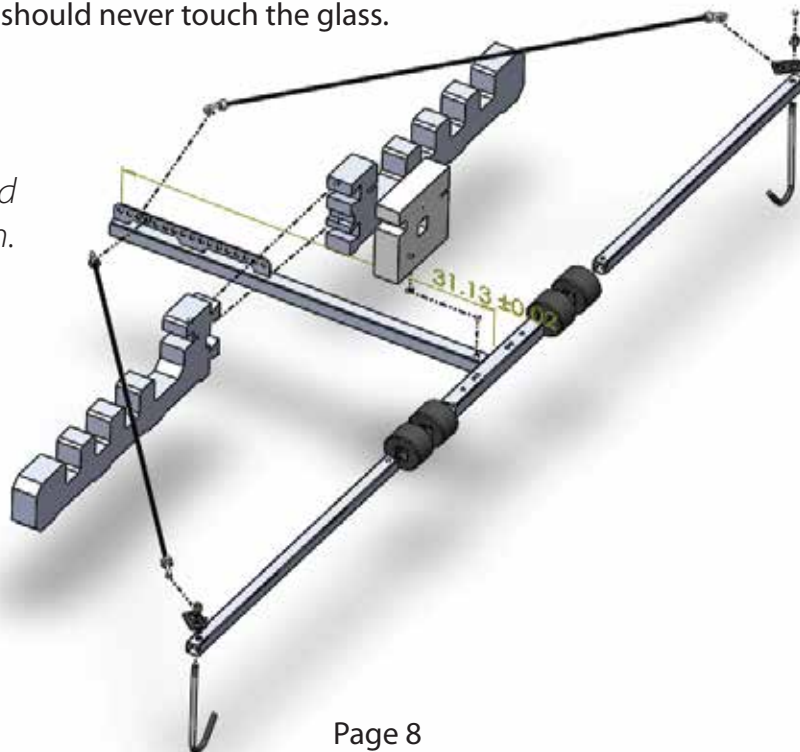
Fig. I

HOIST A TOP[®]

Frame Assembly

- A. Locate the metal T-Frame bundle. Slide two of the support arms (HAT-101) into the T-shaped bar (HAT-100) moving the spring button to the outermost holes as shown in Fig. 3 We will only be assembling the front portion of the T (Fig. 1). The rear Gladiator attachment is installed after the front part of the T frame rests on the top.
- B. Slide the Black Foam Holes (HAT-018A) on the arms (HAT-101) to protect your hardtop and freedom top pieces. The black round foam pieces should be spaced directly under your Freedom Top Panels during storage.
- C. Slide the JT White Foam Square Support (HAT-104) on the T-Shaped bar (HAT-100) over the lifting blade. There is a slit that allows you to do this. Pay close attention to the direction of the JT Foam Square (HAT-104) in Fig. 1, and orient it likewise. Small cutout toward driver, and large cutout toward passenger. You will fold your freedom top pieces directly back onto these and wedge them in the corresponding gaps in the foam.
- D. Put the J-Shaped hooks (HAT-003) through the holes found on each end of the front support arms (HAT-101). Place one hole of the grommet strap (HAT-110) around the threaded part of the J-Shaped hook (HAT-003). Secure with the nylon nuts (HAC-015) to the point of **only 3 threads past** the nylon part of the nut.
- E. Assemble long foam supports (HAT-103) on the rear support arm (HAT-101) as shown in Fig. 1 Use the nylon zip tie's like a needle and thread (Fig. 8) and lace them into place after the foam pieces are connected around the bar, and are in the right position.
- F. Insert plastic end caps (HAC-028) to the end of each support arm (HAT-101).
- G. Attach the assembled frame shown in figure 1 to your two lifting points (SEE PAGE 10 FOR WARNING AND INSTRUCTIONS BEFORE DOING THIS) and rest on your hardtop when you are ready to remove your top Fig.2.
- H. Insert the C shaped attachment arm (HAT-139) into the rear of the T-Shaped bar moving the spring button to the first hole as shown in Fig. 4 and carefully inserting the open end of (HAT-139) through the window to meet the support arm (HAT-140) as shown in Fig. 7. Align drilled holes and insert the safety lock clevis pin. The rear section should never touch the glass.

Fig. 1 Front Frame Assembly exploded assembly diagram.



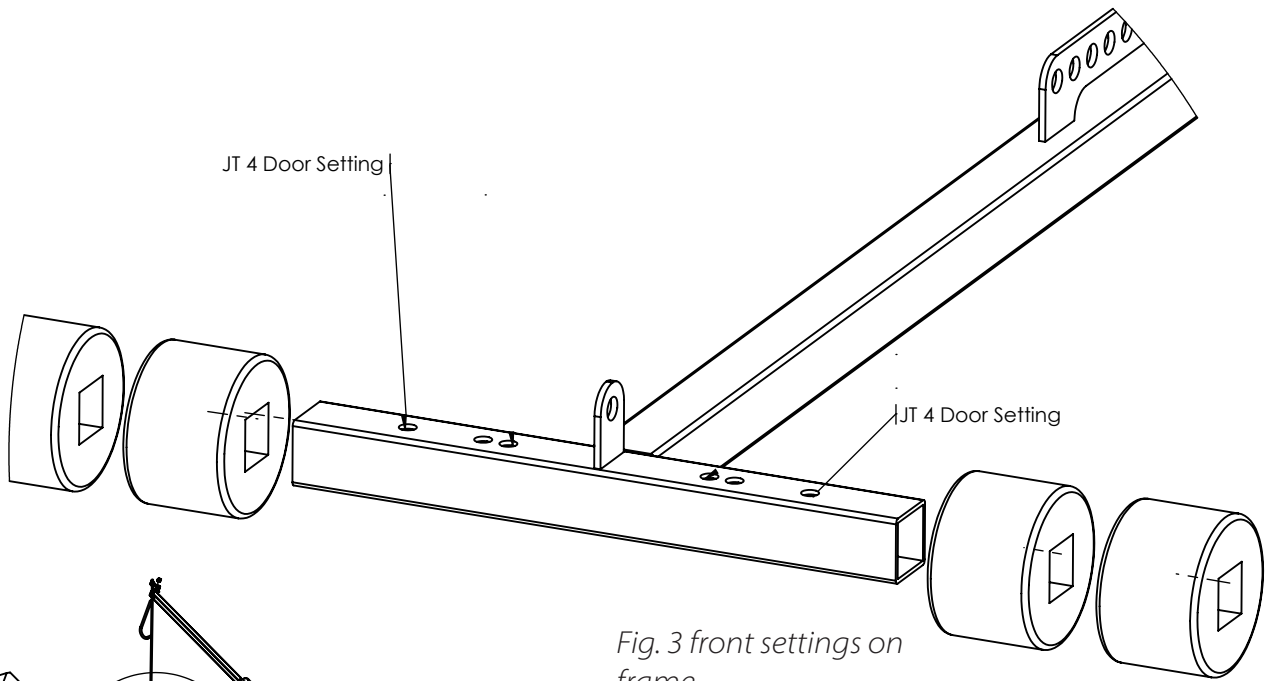


Fig. 3 front settings on frame

Frame Assembly video
www.langeinstructions.com

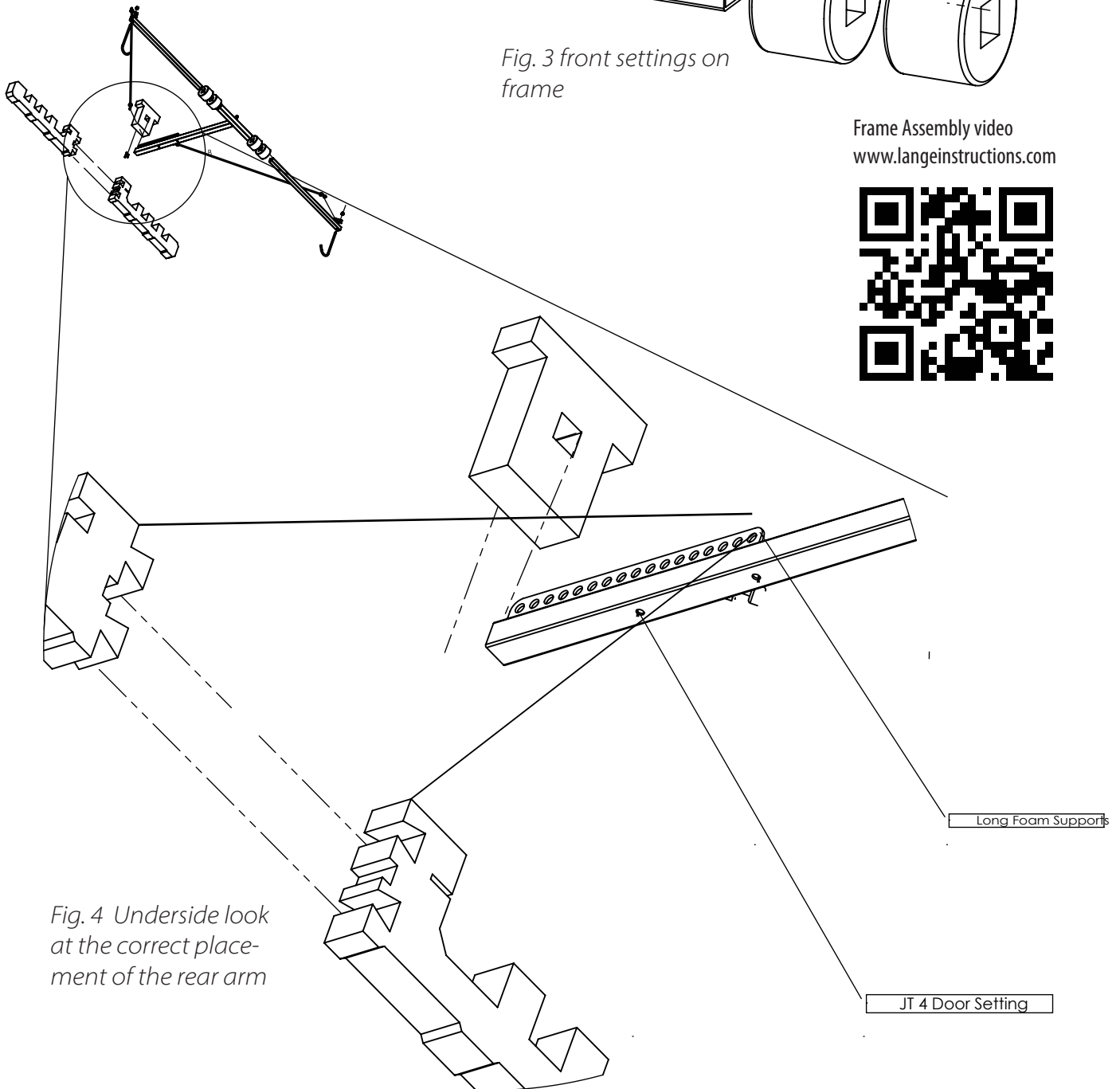


Fig. 4 Underside look at the correct placement of the rear arm

Fig. 6 Showing the frame fully assembled through the rear window.



Fig.2 Front Assembly placed on Jeep before clipping in the rear assembly



Fig. 7 Depiction of the assembled rear support. Should be assembled in steps after frame is assembled and needs to be fitted with care-through window.



Fig. 5 Placing the support arm through the rear window of the Jeep and attaching to .

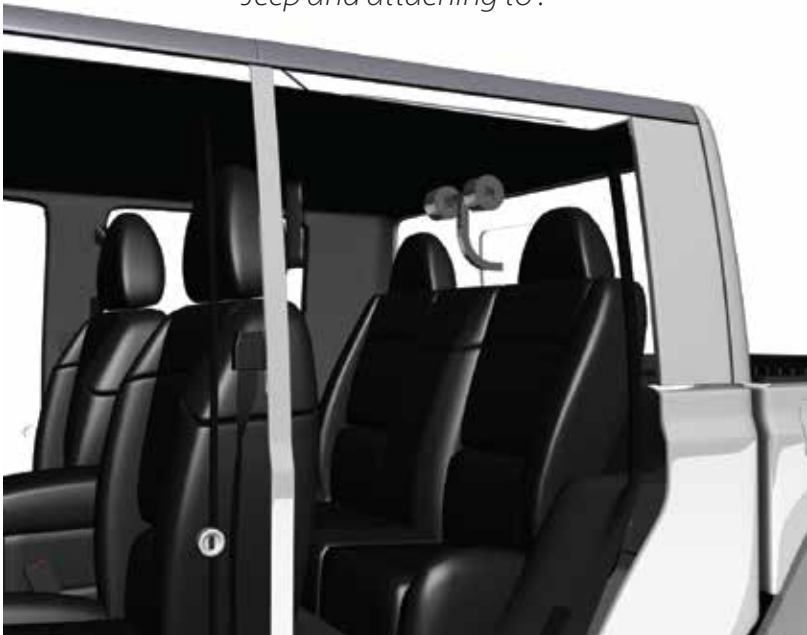
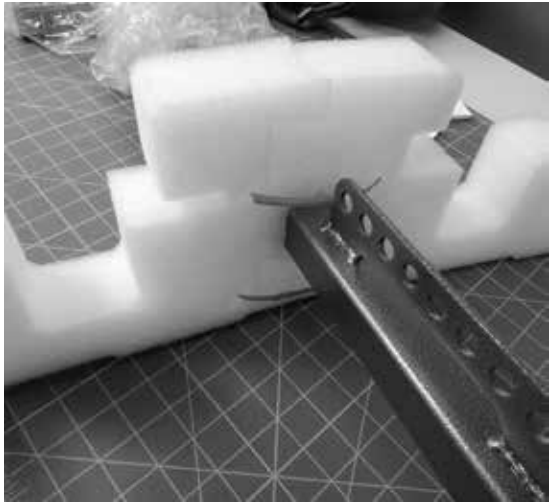


Fig. 8 Lacing the wire ties into the foam, and tightening the pieces together



Balancing and attaching the frame

TEST YOUR INSTALL WITH WEIGHT AND INSPECT BEFORE CONTINUING!

If doing a rear wall mount, put your safety stop loosely in place.

(Safety stop is not needed if doing an over-head mount)

With your frame assembled (Fig. 1-4) lay it on the floor directly below the cables with the top of the "T" Frame facing your garage door. Insert one thimble (HDW-031) on the rear most hole on the lifting blade (HAT-100). Insert the other thimble (HDW-031) on the tab on the front of the "T" Frame (HAT-100).



Fig. J

As shown in Fig. K, feed the cable through the hole with the thimble, install cable clamps loosely at first, in order to balance the frame. With the frame level on the floor pull the cable taut and secure the cable clamps in the order shown in figure K. Be careful to not over tighten these as they will strip. If they do become stripped or are suspect do not use them, they can be inexpensively obtained at any hardware store. Inspect these and all hardware before each use.

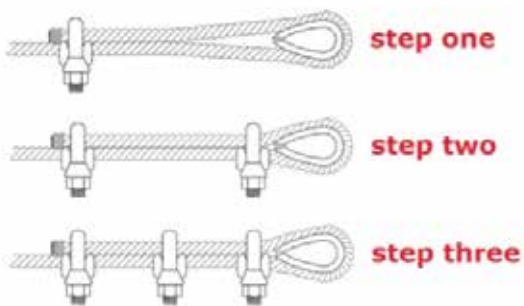


Fig. K

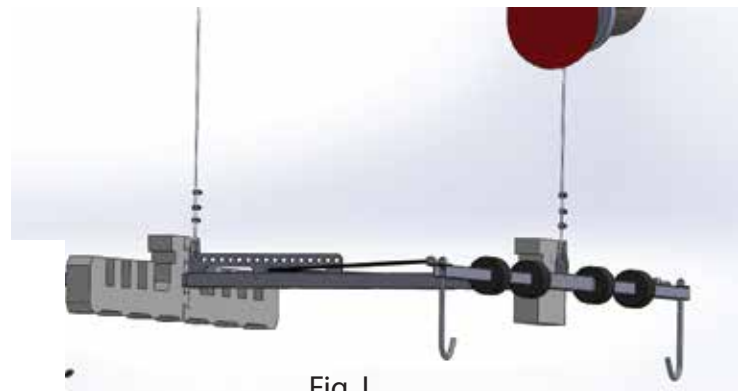


Fig. L

Now that the frame is preliminarily balanced, it also needs to be balanced on your hardtop.

Make sure that all the torque bolts in the top, latches, windshield fluid tube, and wiring harnesses are disconnected before lifting.

Put your Hoist-A-Top frame on the hardtop of your Jeep, and attach the rear hook assembly (HAT-139/140). The two J hooks (HAT-003) in the front should grapple underneath the hard top just before the corner where the window goes. The foam supports are designed to have the interior side of the freedom top pieces facing up on the same side from where they were removed. The bungee cords hook from the grommet straps (HAT-110) to any free hole in the lifting blade, holding the top panels in place. Final leveling of the hard top is achieved by loosening the cable clamps and removing some slack from the dipping side. Do this until the top is parallel to the ceiling. This is a trial and error basis and takes some fiddling, but you only have to do it once. When you are satisfied that the top is level, inspect and tighten all cable clamp bolts.

Final leveling of the hard top is achieved by loosening the cable clamps and removing some slack from the dipping side. Do this until the top is parallel to the ceiling. This is a trial and error basis and takes some fiddling, but you only have to do it once. When you are satisfied that the top is level inspect and tighten all cable clamp bolts.

Glossary of Terms

Cribbing: The act of cross bracing perpendicular with a piece of wood. In our case we are laying a 2x6 or wider flat across ceiling or wall joist; securing with four inch decking screws. This is an example of cribbing between wall joists on 16" centers with a 2x6. For ease of install and support we recommend cribbing all power unit installations.



Plumb-Bob: A bob of lead or other heavy material forming the weight of a plumb line. It can be as simple as a sharpie or pencil tied to a string.

Jeep Wrangler "JT": Each Jeep has a two letter designation that describes its run series.

JT is the Gladiator, beginning in 2020

JL began in 2018. JK runs from 2007-2019.

The TJ ran from 1997-2007. YJ is from 1987-1996.

CJ owners know exactly what I'm talking about already ;)

Lifting Blade: Hockey skate blade shaped metal fin welded in the center of the "T" and drilled with several holes.

The documents and instructions in this product are subject to copyright ©2016 all rights reserved. Hoist A Top, Off With Your Top, Lange Originals, are registered trademarks of Lange Originals LLC.

Hoist A Top, Hoist A Cart, Hoist A Top Simple, are protected by the following patents 009932209B2

Chrysler, Dodge, Jeep, Ram, Mopar and SRT are registered trademarks of FCA US LLC. ALFA ROMEO and FIAT are registered trademarks of FCA Group Marketing S.p.A., ©2018 FCA US LLC. All Rights Reserved.



WARNING: This product can expose you to bisphenol, a chemical known to the state of California to cause cancer or reproductive harm. For more information go to: www.p65warnings.ca.gov

Lange Originals Limited Warranty

What the Warranty Covers:

This warranty covers defects from the manufacturing process that would render the product unusable. It also covers items missing from the packaging unless the damage or loss is the result of mishandling by the shipper. This warranty supersedes all other product warranties in the instructions page.

Who is Covered?

This warranty covers the original purchaser of this device with an invoice of purchase or receipt from a valid current dealer.

How Long Does the Coverage Last?

This warranty remains in force for one year, to the original purchaser, from the date of purchase on the invoice or receipt. This warranty applies only to approved dealers of Lange's products.

What We Will do to Correct the Problem:

Lange Originals will repair or replace, at their discretion parts or the whole. Warranty does not cover 3rd party labor, or return shipping.

How do I Get Service?

To obtain warranty repairs, you must obtain authorization from Lange Originals for either a return, or replacement part. If you wish to make other arrangements for repairs/replacement, notify us on our form via our website langeoriginals.com and click on the warranty tab. We will respond in writing on how to proceed. Please do not contact your dealer, contact Lange Originals directly to avoid delays. Please note you will be asked to provide information such as dealer receipt/invoice and sometimes pictures of the item. Return shipping is not covered. We will ship any repaired or replacement items at no cost.

Normal Responsibilities of the Buyer:

Buyer is responsible for the inspection and tightening of bolts, nuts, screws, lag screws, gears, pulleys, casters, u-clamps, hooks and any other parts that require regular attention. Lubricating of some parts is necessary such as the crank type worm gear, on crank type lifting units.

This Warranty Does Not Cover:

1. Any defect caused by abuse, misuse, neglect, carelessness, or accident.
2. Loss of time, loss of use, towing charges, bus fare, car rentals, labor costs of installers, or other incidental damages of property.
3. Damage as a result of not properly following directions, or common safety practices with tools, ladders, and other instruments or tools during installation.
4. Deterioration from wear or exposure.
5. Any defect caused by alteration or modification of the home/garage.
6. Any defect which would not have occurred if instructions in the instruct manual had been followed.
7. Failure of an Chrysler product due to lack of understanding. For example if a buyer does not correctly unfasten electrical cables
8. All disputes concerning this warranty would take place in Utah courts and under Utah law.
9. Shipping damage is covered under our customer satisfaction 30 day return policy, but is not covered after this period of time.
10. Minor cosmetic issues such as paint flaws, mis-shaped foam pieces that do not affect the function of the product as determined by Lange.

Lange Originals LLC reserves the right to change this document at any time and is not limited to the terms and conditions described here. For a comprehensive warranty on your specific part number/product please visit us at www.langeoriginals.com and click on the warranties page.