



JK Frame Only Installation Instructions



langeoriginals.com
Lange Originals
3651 S. 700 E.
Salt Lake City, UT
801-262-7322



PLEASE READ ALL INSTRUCTION BEFORE INSTALLATION

Parts List

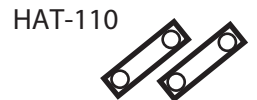
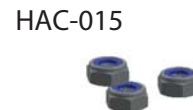
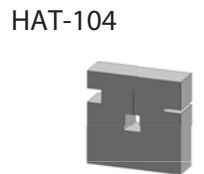
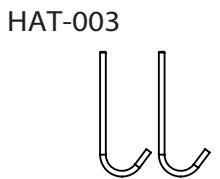
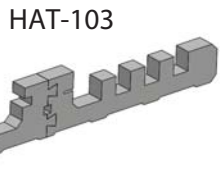
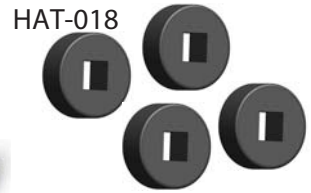
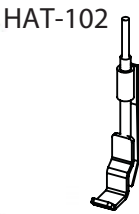
Parts are listed by part number, description, and quantity. The part number may be referenced in the instructions designated by parenthesis () for your convenience. Parts are updated periodically and may vary in color or shape.

014-240 Hoist-A-Top Frame for JK Jeeps

Part Number	Description	Qty
Frame		
HAT-101	Support Arms	3
HAT-100	"T" Section with Lifting Blade	1
HAT-018	Black Foam Holes	4
HAT-003	"J" Hooks	2
HAT-102	Rear JK "Smart Hook™"	1
HAT-104	Foam Square Support	1
HAT-103	Long Foam Arms (2 pcs)	1
HAT-019	Bungee Cord	2

Hardware Parts Bag-021

HAC-028	Small Plastic End Caps	3
HAC-015	Nylon Insert Lock Nut	3
HAT-050	Grommet Strap	1



WARNING: This product can expose you to bisphenol, a chemical known to the state of California to cause cancer or reproductive harm. For more information go to: www.p65warnings.ca.gov

HOIST A TOP®

Frame Assembly

- A. Slide the two support arms (HAT-101) into the T-shaped bar (HAT-100) moving the spring button to the appropriate holes as shown in Fig. 3
- B. Slide the Black Foam Holes (HAT-018) on the arms (HAT-101) to protect your hardtop and freedom top pieces. The black round foam pieces should be spaced directly under your Freedom Top Panels during storage.
- C. Slide the JK Foam Square Support (HAT-104) on the T-Shaped bar (HAT-100) over the lifting blade. There is a slit that allows you to do this. Pay close attention to the direction of the JK Foam Square (HAT-104) in Fig. 1, and orient it likewise.
- D. Insert the remaining support arm (HAT-101) into the rear of the T-Shaped bar moving the spring button to the appropriate hole as shown in Fig. 4
- E. Put the J-Shaped hooks (HAT-003) through the holes found on each end of the front support arms (HAT-101). Place one hole of the grommet strap (HAT-110) around the threaded part of the J-Shaped hook (HAT-003). Secure with the nylon nuts (HAC-015) to the point of only 3 threads past the nylon part of the nut.
- F. Attach JK Smart Hook™ (HAT-102) to the rear support arm (HAT-101) securing it with the nylon nut (HAC-015) so that 3 threads are past the nylon part of the nut. Do not over-tighten these hooks.
- G. Assemble long foam supports (HAT-103) on the rear support arm (HAT-101) as shown in Fig. 1
- H. Insert plastic end caps (HAC-028) to the end of each support arm (HAT-101).

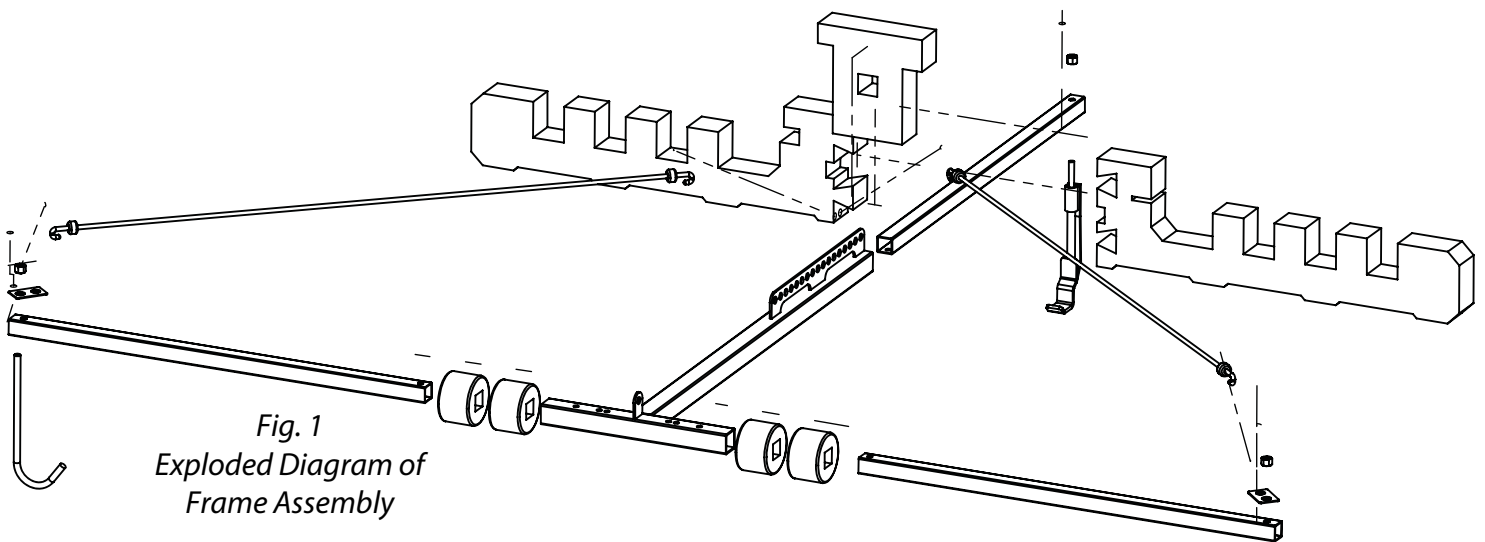


Fig. 1
Exploded Diagram of
Frame Assembly

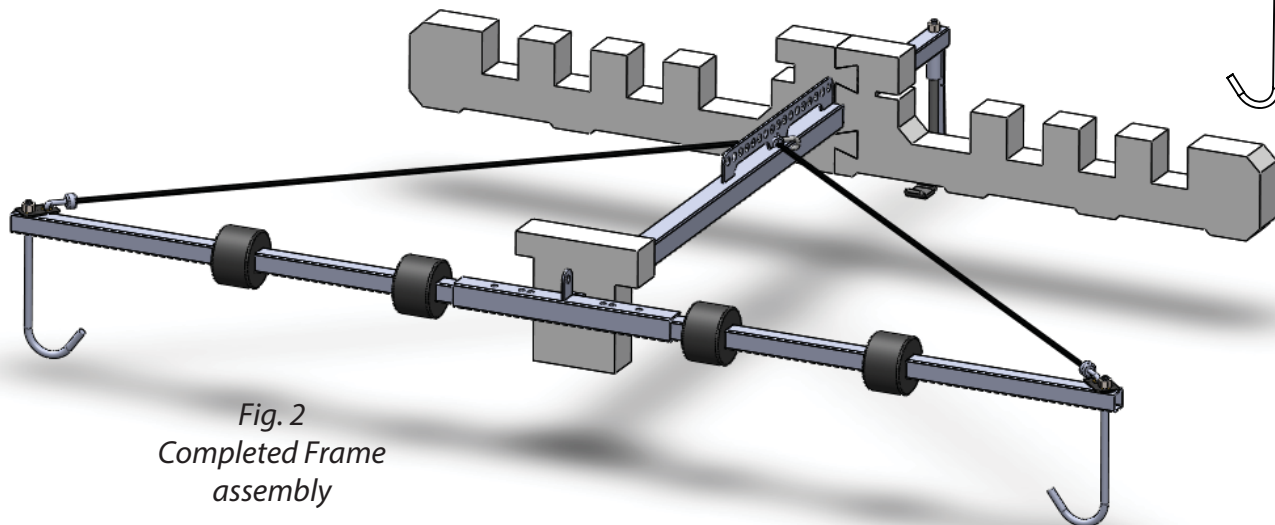


Fig. 2
Completed Frame
assembly

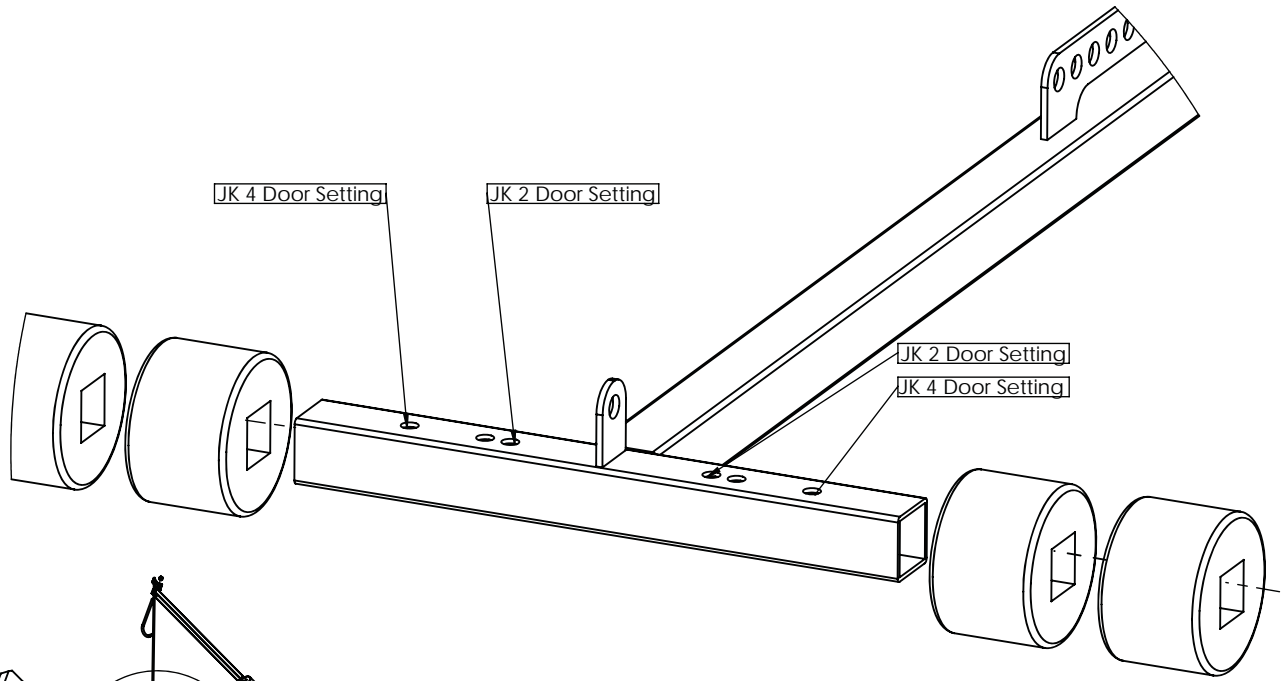


Fig. 3
Front settings for JK

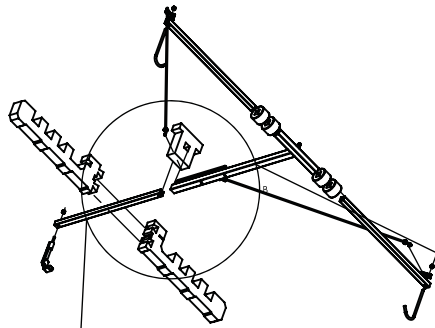
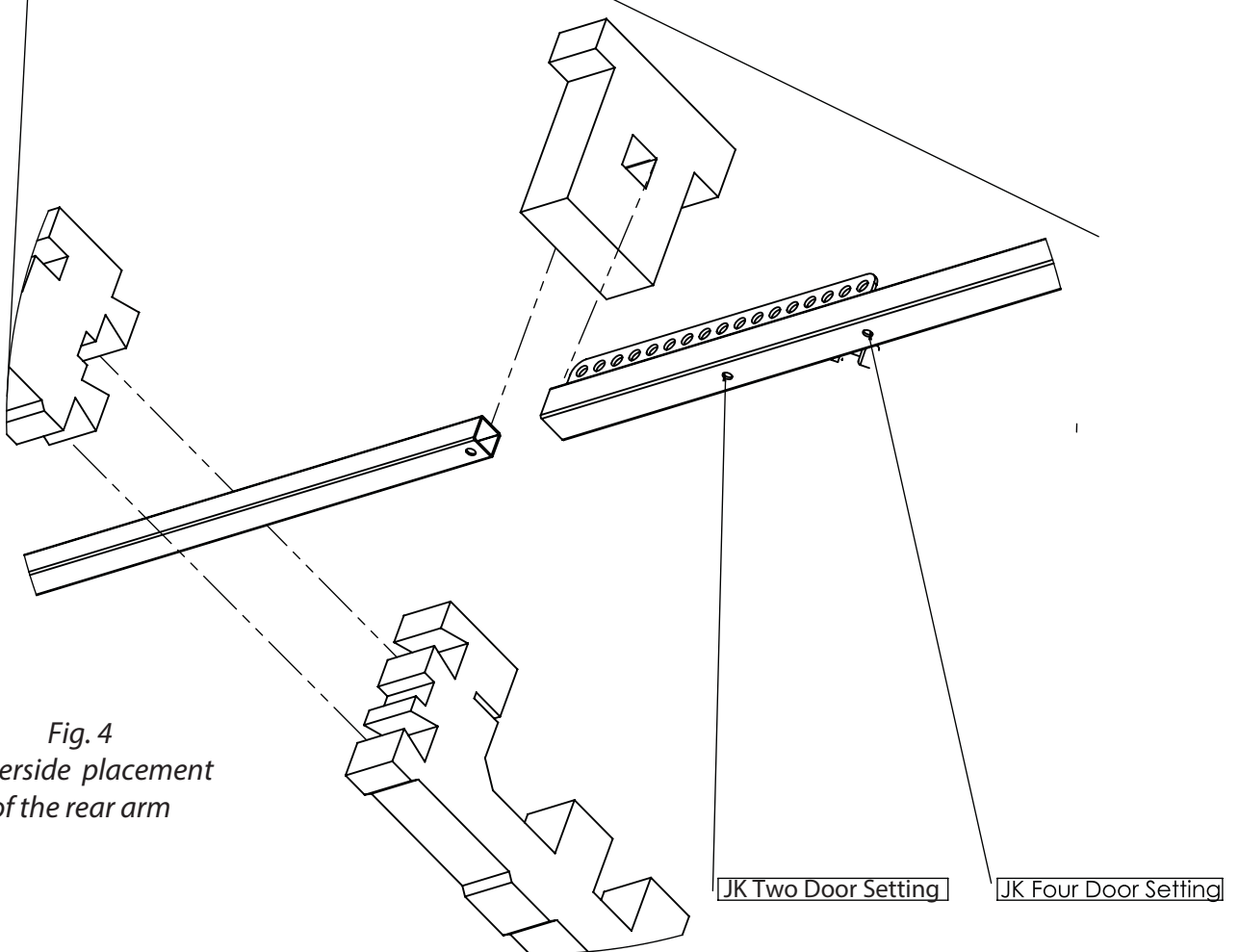


Fig. 4
Underside placement
of the rear arm



Lange Originals Limited Warranty

What the Warranty Covers:

This warranty covers defects from the manufacturing process that would render the product unusable. It also covers items missing from the packaging unless the damage or loss is the result of mishandling by the shipper. This warranty supersedes all other product warranties in the instructions page.

Who is Covered?

This warranty covers the original purchaser of this device with a invoice of purchase or receipt from a valid current dealer.

How Long Does the Coverage Last?

This warranty remains in force for one year, to the original purchaser, from the date of purchase on the invoice or receipt. This warranty applies only to approved dealers of Lange's products.

What We Will do to Correct the Problem:

Lange Originals will repair or replace, at their discretion parts or the whole. Warranty does not cover 3rd party labor, or return shipping.

How do I Get Service?

To obtain warranty repairs, you must obtain authorization from Lange Originals for either a return, or replacement part. If you wish to make other arrangements for repairs/replacement, notify us on our form via our website langeoriginals.com and click on the warranty tab. We will respond in writing on how to proceed. Please do not contact your dealer, contact Lange Originals directly to avoid delays. Please note you will be asked to provide information such as dealer receipt/invoice and sometimes pictures of the item. Return shipping is not covered. We will ship any repaired or replacement items at no cost.

Normal Responsibilities of the Buyer:

Buyer is responsible for the inspection and tightening of bolts, nuts, screws, lag screws, gears, pulleys, casters, u-clamps, hooks and any other parts that require regular attention. Lubricating of some parts is necessary such as the crank type worm gear, on crank type lifting units.

This Warranty Does Not Cover:

1. Any defect caused by abuse, misuse, neglect, carelessness, or accident.
 2. Loss of time, loss of use, towing charges, bus fare, car rentals, labor costs of installers, or other incidental damages of property.
 3. Damage as a result of not properly following directions, or common safety practices with tools, ladders, and other instruments or tools during installation.
 4. Deterioration from wear or exposure.
 5. Any defect caused by alteration or modification of the home/garage.
 6. Any defect which would not have occurred if instructions in the instruct manual had been followed.
 7. Failure of an Chrysler product due to lack of understanding. For example if a buyer does not correctly unfasten electrical cables
 8. All disputes concerning this warranty would take place in Utah courts and under Utah law.
 9. Shipping damage is covered under our customer satisfaction 30 day return policy, but is not covered after this period of time.
 10. Minor cosmetic issues such as paint flaws, mis-shaped foam pieces that do not affect the function of the product as determined by Lange.
-