



3651 S. 700 E.
 SLC, UT 84106
 1-866-284-7428
 www.langeoriginals.com



About Lange Originals®

Welcome to the Lange Originals® After buying one of the first Jeep Wranglers,®* I was lifting the hard top off for a Summer ride and dropped the top which sustained considerable damage. I decided to “find a better way.” This prompted designing a rigging system to remove the hardtop, the now famous Hoist A Top® was born! Other products soon followed and allowed Lange Originals® to serve the Jeep®* and automotive community for over 25 years. Our most popular product, the Hoist A Top® has been a Jeep enthusiast favorite for years. “Off with your top!” One of our ad campaigns has become a buzz word. Lange Originals® specializes in quality products that remove Jeep hardtops, mirrors, kayak racks, Hoist-a-Bike™, aluminum bumpers and more. Lange Originals® has a manufacturing facility in Salt Lake City, Utah, and is a family owned and operated business.

Warranty

We want you to be as happy as we are with our products. If for some reason your not, give us a call and we'll help with an installation issue, warranty issue, or Jeep®* issue. Calling the factory during business hours 9-5 MST is the best first option. If for some reason you can't get us then, email us on our website, or leave a phone message. We do our best to get back promptly.

Hoist A Cart™ Warranty: We honor a one year warranty from the date of purchase on this product if Installed and operated according to these instructions. This warranty covers parts if found defective and does not included a provision for adjustment if abused or damaged due to neglect or misuse. Liability for any application of this product is limited to the replacement or repair of said product and does not include consequential damages. Please call customer service (801-262-7322) for return instructions and warranty verification. Proof of purchase date required.

Parts: If you need replacement parts for out of warranty items, check our website www.langeoriginals.com replacement part section.





*Chrysler, Dodge, Jeep, Ram, Mopar, Wrangler and SRT are registered trademarks of FCA US LLC. This instruction booklet is copyright to Lange Originals LLC © 2016 . Lange Originals, Hoist A Top are registered trademarks of Lange Originals LLC. All rights reserved

READ ALL INSTRUCTIONS BEFORE ASSEMBLY AND USE OF HOIST A CART™

This installation guide is for the use of our Hoist A Cart™ system. Please read all warnings, directions, and watch linked videos/DVD before attempting to install. Begin by un-boxing your parts, and checking them against the parts list below. If you are missing a part: DO NOT RETURN THIS PRODUCT TO DEALER OR CALL DEALER. Email, call, or leave us a message with your name, telephone number and address and we will get you the part you need. Toll free 1-866-284-7428, or 801-262-7322.

Warning: Failure to follow these warnings and the assembly instructions could result in serious injury or death. Wear appropriate safety gear when using tools .

PART NUMBER	Hardware List	QTY	PART NUMBER	Parts List	QTY
HAC-014	3"X 3/8" inch hex bolt 	6	HAC-030	Threaded Support Rod	1
HAC-015	3/8" nyloc nut 	20	HAC-031	Flat Hook	1
HAC-016	1 1/4" X 1 1/4" end cap 	4	HAC-032	Nylon Strap	1
HAC-017	1 3/4" X 3/8" hex bolt 	4	HAC-010	Winch	1
HAC-018	3/8" X 2 2/4" inch Quick Release 	2	HAC-001	Right End Bar	1
HAC-019	2 1/2" X 3/8" hex bolt 	4	HAC-002	Left End Bar	1
HAC-021	1 1/2" X 1 1/2" end cap 	1	HAC-003	Upper Support Bar w/ 3/8" End Holes	1
HAC-022	1" X 3/8" hex bolt 	2	HAC-029	Upper Support Bar w/ 1/2" End Holes	1
HAC-023	3/8" washer 	2	HAC-004	Front Support Bar w/ Welded Nut	1
HAC-024	3 1/4" X 3/8" hex bolt 	6	HAC-005	Lower Support Bar	2
HAC-044	Casters 	2	HAC-006	Extension Arm	2
HAC-028	1" X 1" inch end cap 	2	HAC-008	Upright Mounting Plate	1
HAC-033	Elevator Bolts 	2	HAC-009	Upright Post	1
HAC-007	Swivel Casters 	2	HAC-011	Lifting Bar Support Plate	2
HAC-026	Pulley Wheels 	4	HAC-012	Upright Extension Bar	1
HAC-027	Pulley Clips 	4	HAC-013	Lifting Bar	1
HAC-034	Spring Button Clips (pre-installed) 	2	HAC-020	Foam	1

PART NUMBER	Hardware List	Cont'd	QTY	PART NUMBER	Parts List	Cont'd	QTY
HAC-040	1/2" Nyloc nut for casters		4				
HAC-041	Nut for elevator bolt		2				
HAC-042	Wing nut for elevator bolt		2				
HAC-043	Wire Clamp		4				

About these instructions:

These instructions are setup into smaller steps that follow a step by step process to build the frame-assembly of your new Hoist -A-Cart™ system. Begin each step by gathering the hardware specified in the locate section in the header of the step. Secondly assemble the hardware and parts as show in the picture in the guide.

Please note that some items in the parts list will not be used in the written portion in the instructions. After you have assembled the frame, you will then be required to watch the use and final assembly DVD or online video. Place the DVD in any DVD compatible computer, DVD player, or DVD device and watch all the way through, or scan the QR code in step 1 and watch on your smart-phone. You can also watch the instructions on an Internet capable device at www.hoistacart.com. Bolts are measured from the base of the head, to the end of the threads. PLEASE WATCH THE VIDEO ALL THE WAY THROUGH BEFORE USING THE HOIST A CART!

TOOLS REQUIRED

- Socket Set
- Philips head screwdriver
- Rubber mallet (preferred) or hammer
- Crescent wrench or box end set
- Battery operated drill (for operation of crank)
- Optional: Square Drive Socket Adapter (for operation of crank)

STEP 1



Locate the DVD instructions and insert it in a DVD compatible device. IT IS IMPORTANT THAT YOU WATCH THESE INSTRUCTIONS ALL THE WAY THROUGH. You can also watch the instructions on your smart-phone by scanning the QR code below, or going to www.hoistacart.com and selecting the "instructions" link.

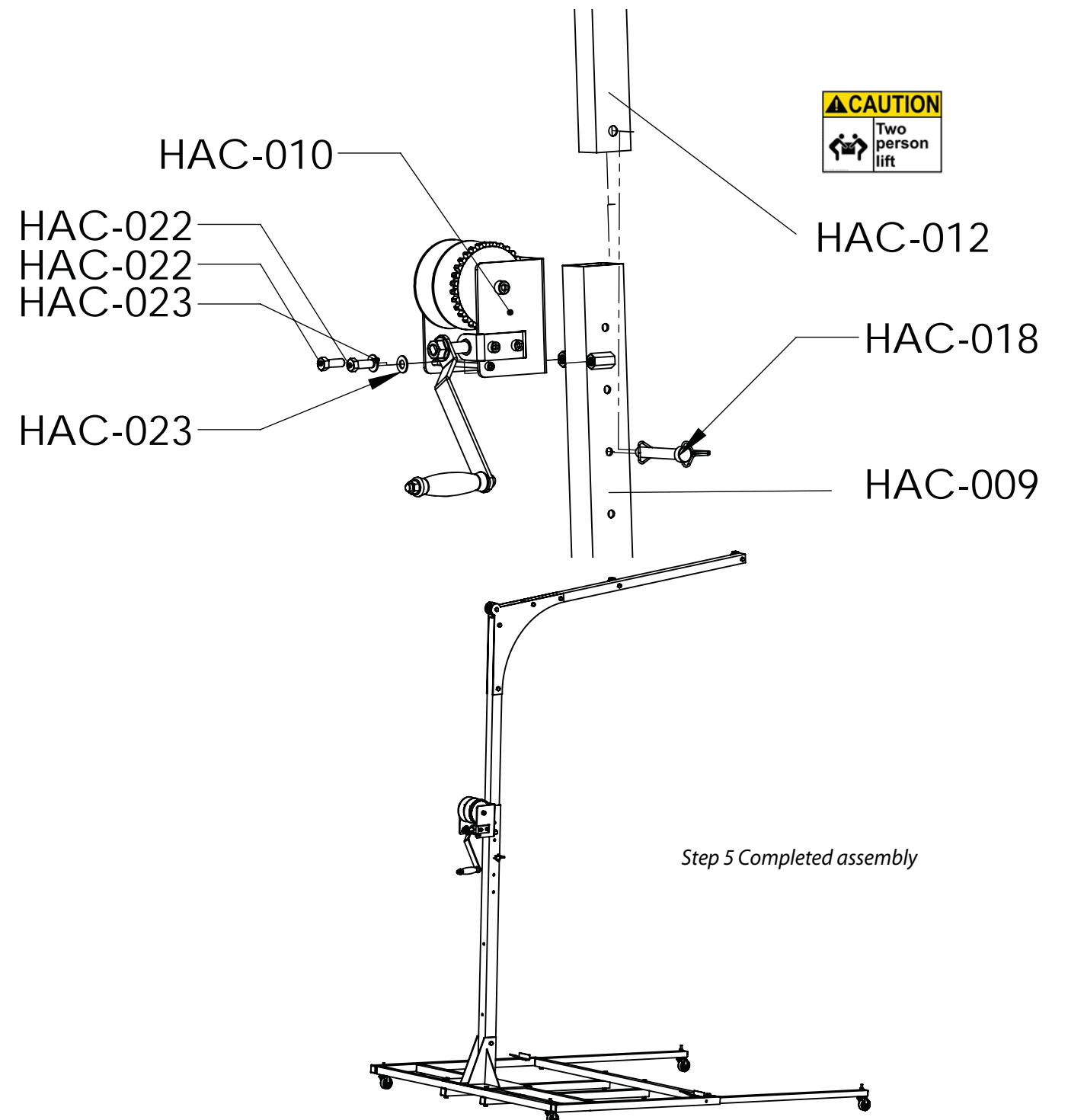


STEP 5

Locate parts: HAC-010

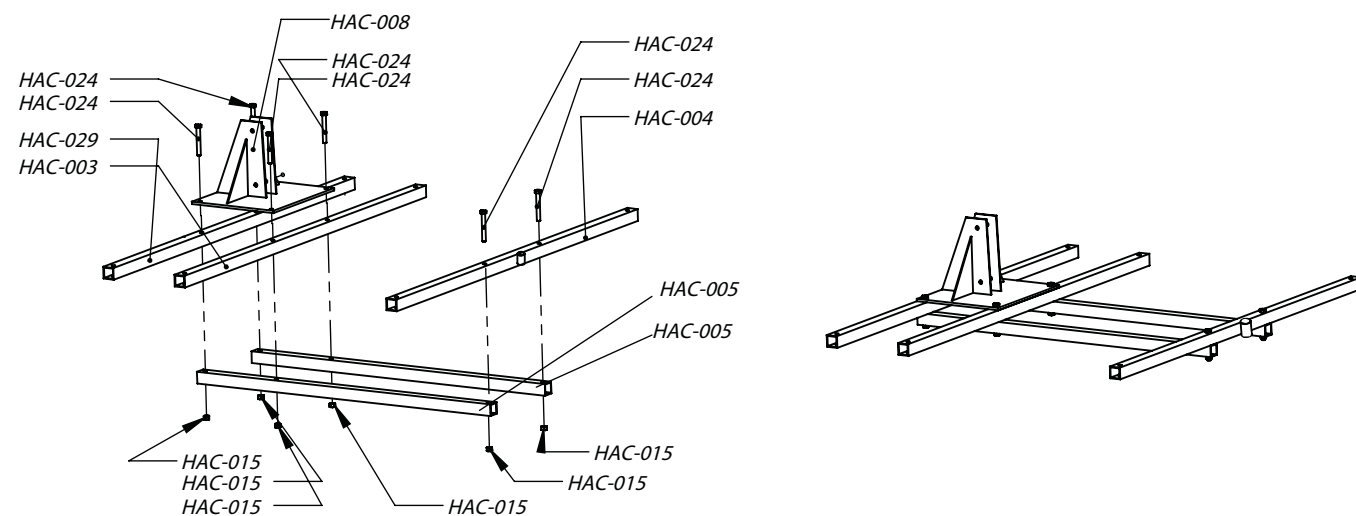
Locate hardware: HAC-018, HAC-022 x 2, HAC-023 x 2

This step requires two people to team lift the fulcrum arm and place the lynch pin through the holes in HAC-012 and HAC-009.



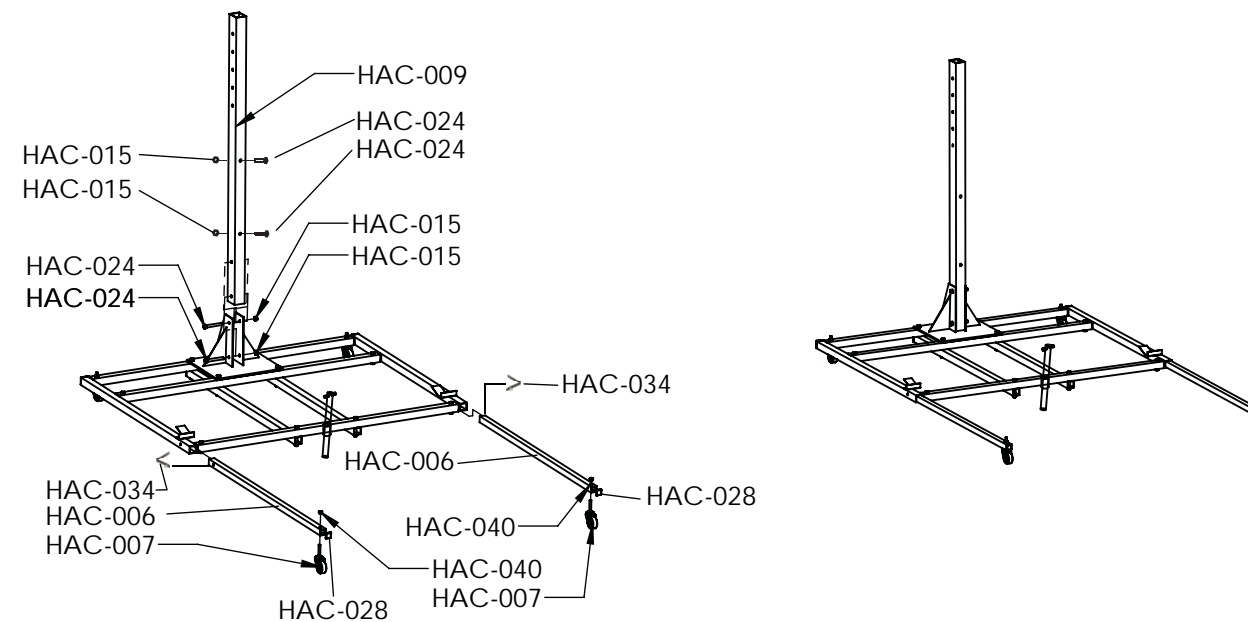
STEP 2

Locate parts: HAC-003, HAC-004, HAC-005 x 2, HAC-008, HAC-029
Locate hardware: HAC-015 x 6, HAC-024 x 6



STEP 4

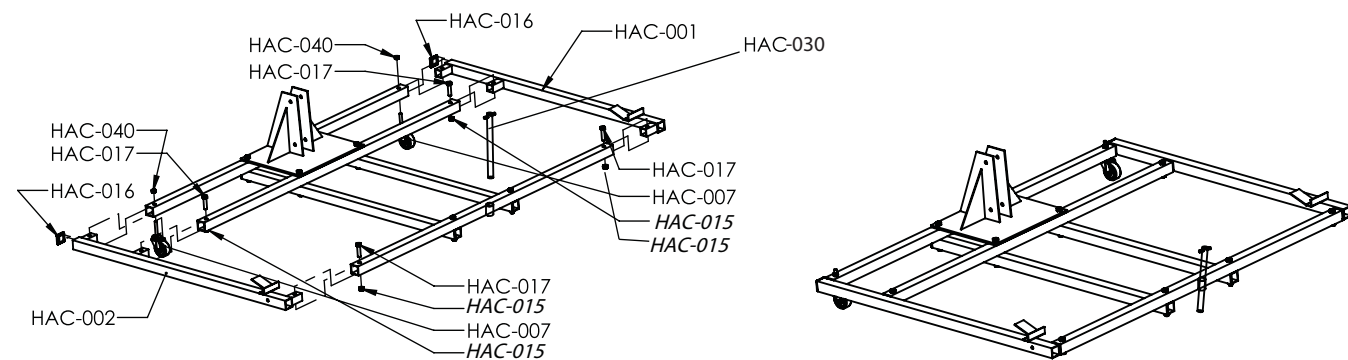
Locate parts: HAC-006 x 2, HAC-007 x 2, HAC-009, HAC-034 x 2
Locate hardware: HAC-015 x 4, HAC-024 x 4, HAC-040 x 2



STEP 3

Locate parts: HAC-001, HAC-002, HAC-030
Locate hardware: HAC-007 x 2, HAC-015 x 4, HAC-016 x 2, HAC-017 x 4, HAC-040 x 2

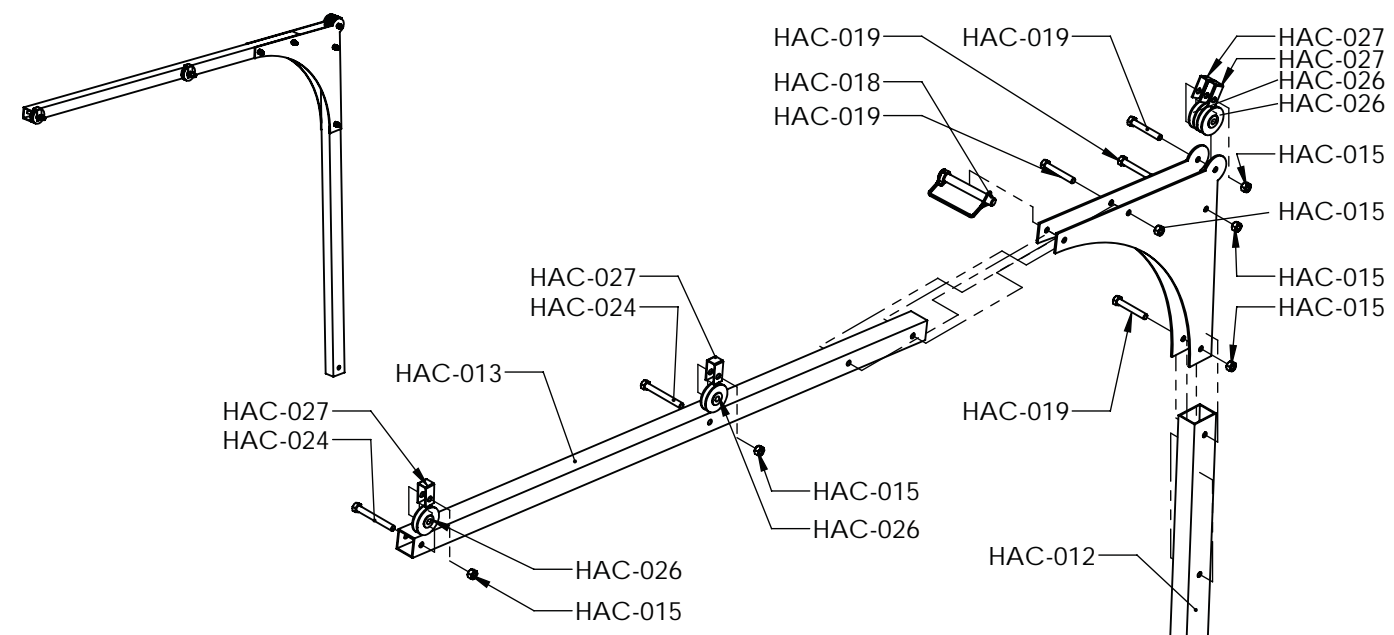
Note about HAC-030 installation: Remove spindle foot by taking out set screw, and threading in spindle to threaded piece on HAC-004, then replacing the foot and set screw.



Step 2 Completed assembly

STEP 5

Locate parts: HAC-011 x 2, HAC-012, HAC-013,
Locate hardware: HAC-015 x 6, HAC-018, HAC-024 x 2, HAC-019 x 4, HAC-026 x 4, HAC-027 x 4,





Addendum PLEASE READ!

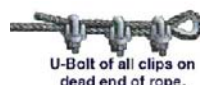
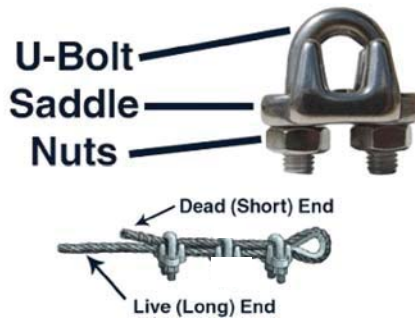


Instruction clarification 1: The hook shown on the left is no longer included in the hoist a cart kit. The replacement is the snap-link shown on the right. In the video it shows the hook, being used to attach the front strap. The snap-link should be installed and used in its place.



Instruction clarification 2: The endcaps have already been installed on the ends of the bars.

Instruction clarification 3: Below is a diagram showing proper wire rope clamp installation. It is imperative that you install the saddle on the "live" end of the wire.



U-Bolt of all clips on dead end of rope.

Correct



Staggered Clips

Incorrect



U-Bolt of all clips on live end of rope.

Incorrect

Shown here with three for effect (you will use two)

Warning

The Hoist-A-Cart was not designed to store your Jeep Wrangler's top suspended from the lifting unit, it was designed to be stored in the cradle on the cart (as shown in the video). Failure to follow this warning could cause damage to your Jeep's top. Lange Originals is not responsible for damage to your top resulting from improper use of the Hoist A Cart or from improper storage of your Jeep's top.

Installing the Cable

Our goal in installing the cable is to have the right side cable spool to have 27 inches more cable to reach the far pulley on the Hoist A Cart.

Step 1: Pick one of the 2 or three holes (part may vary) on the center of the spool as shown in figure 1 and thread the cable through the hole keeping the left side 27 inches longer.



Fig. 1



Fig. 2

Step 2: Using either second hole, thread both cable pieces in a criss-cross manner as shown in fig. 2. The hole you choose is arbitrary just as long as you have the cables crossing through a hole with the wire with an addition 27 inches now switched to the right side.

Step 3: Wind the cable on the spool clockwise. Be sure to use some leather gloves and safety glasses. I take the nut off the end of the bolt and chuck my drill directly on the bolt where it is slotted to speed up the winding process. Do not chuck the drill cockeyed you will likely end up destroying threads. After this your cable should be wound properly and ready for installation on the Hoist A Cart.



Fig. 3



Fig. 4

Addendum for JL Jeep Hoists

This is to explain the procedure to put the rear hook on the Jeep top. Due to the unique shape, and tolerances between the glass and the top edges of the window frame the rear hook must be set in place before attaching to the frame.

Step 1: Before attaching the rear hook to the lifting mechanism. Carefully place the hook in the gap between the rear window and the Jeep top from underneath with the window open. (Fig. 1)



Fig. 1

Quick Link

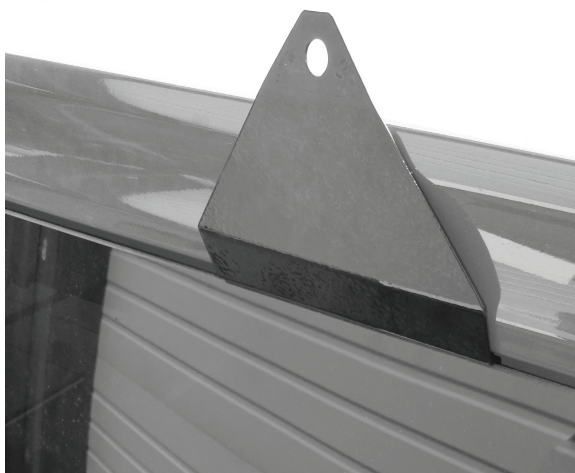


Fig. 2

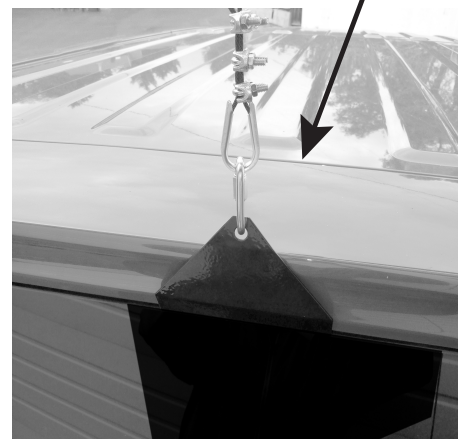


Fig. 3

Step 2: Close the window after the hook is nested on the top (Fig. 2) and attach the thimbal and cable that you have set-up following the included instructions (Fig. 3) to the quick-link. Thread the quick link closed. Reverse process when putting top back on.

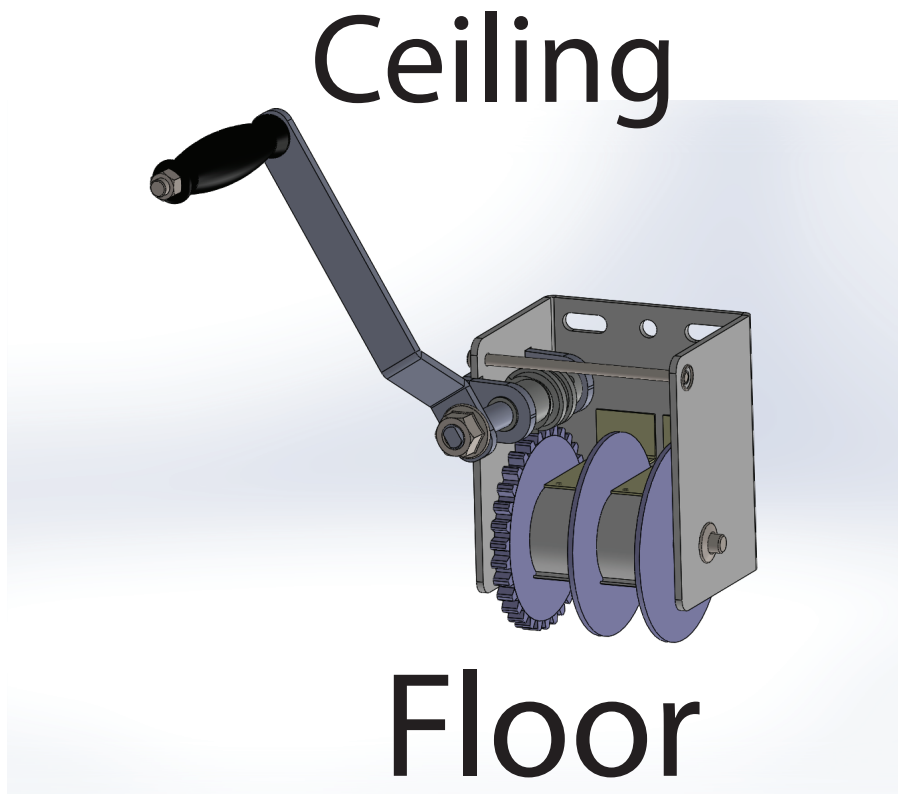
Crank Unit Addendum

Includes: Worm Gear units

Tools needed: Lubricating Grease (Super-Lube, or any silicon based grease works best)

ITEM 1: The worm gear and drive have a normal break in period. During this time the worm drive and gear will have some sacrificial metal shavings. This is normal. The drive and gear requires lubrication each time it is used. Some lubrication is provided and should be used before any turning of the gears.

ITEM 2: Contrary to any other written instruction or video the orientation of the winch crank unit should be as pictured below with the guide rod and crank toward the ceiling.



ITEM 3: **IMPORTANT** We are no longer recommending customers use a drill or any other method besides hand cranking this unit. If any other method is used, it must be on the lowest speed the drill is capable of below 150 RPM or hand cranking speed. Use common sense. High speed usage of a drill will void the warranty.