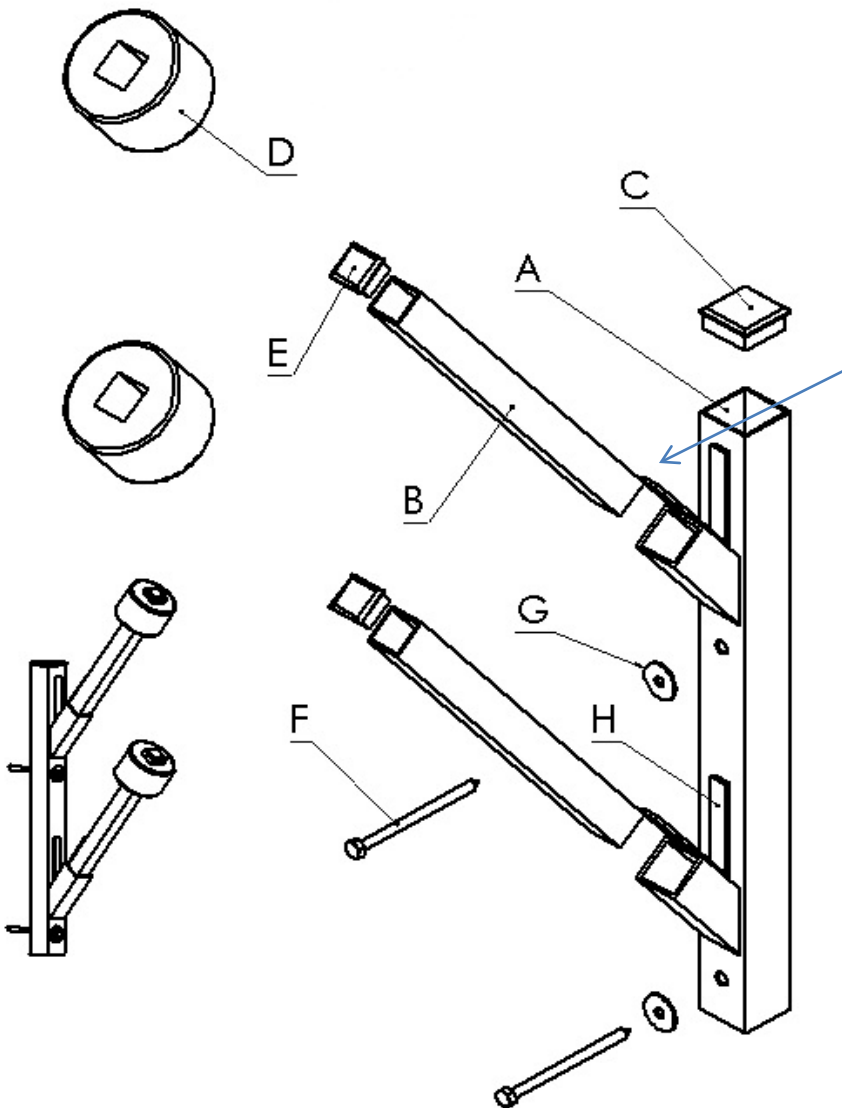


Part:	Quantity
A 1.5x1.5 bar	2
B 1X12 bar	4
C 1.5 end cap	2
D foam	4
E small end cap	4
F 5/16 lag	4
G 5/16 washer	4
H adhesive foam	8



Adhesive foam holds 1 inch bar in place.

Predrill holes 1/4 drill bit  
On 16 inch centers on  
Your garage wall.