

DESKALATOR















ELECTRIC SIT-STAND
WORKSTATION



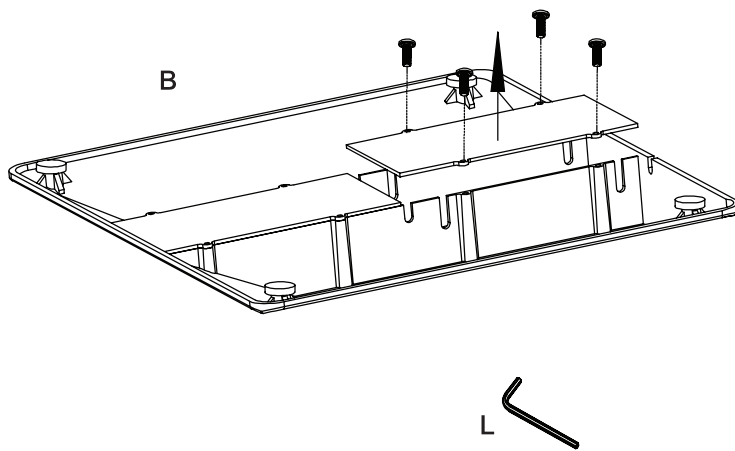
Assembly Instructions

**MODEL - OP-MB-700W + KEYBOARD BLACK
OP-MB-700W + KEYBOARD WHITE**

Assembly Instructions

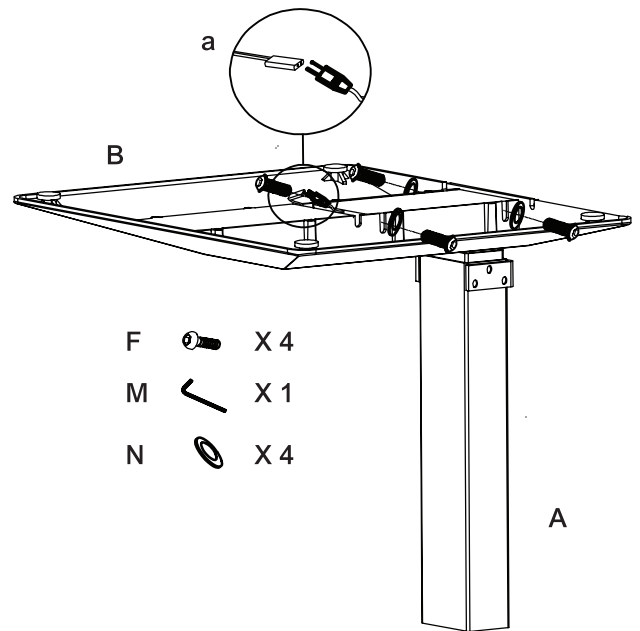
A  1 Pc	B  1 Pc	C  1 Pc	D  1 Pc	E  1 Pc	F  M6 x 10 18 Pcs + 1 extra Pc	G  M5 x 8 4 Pcs + 1 extra Pc	H  1 Pc
I  M4 x 12 4 Pcs	J  M4 x 25 4 Pcs	K  4 Pcs	L  3 mm 1 Pc	M  4 mm 1 Pc	N  10 Pcs + 1 extra Pc		

STEP 1



Unscrew 4 screws to take off the cap.

STEP 2



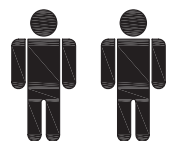
Center leg (part A) goes through the bottom base (part B).

Connect wire as pictured in view "a".
Push wire into the bottom base inner space.

Use 4 pcs M6*10 screws and the washers to assemble the two sides first (do not tighten).

IMPORTANT NOTE:

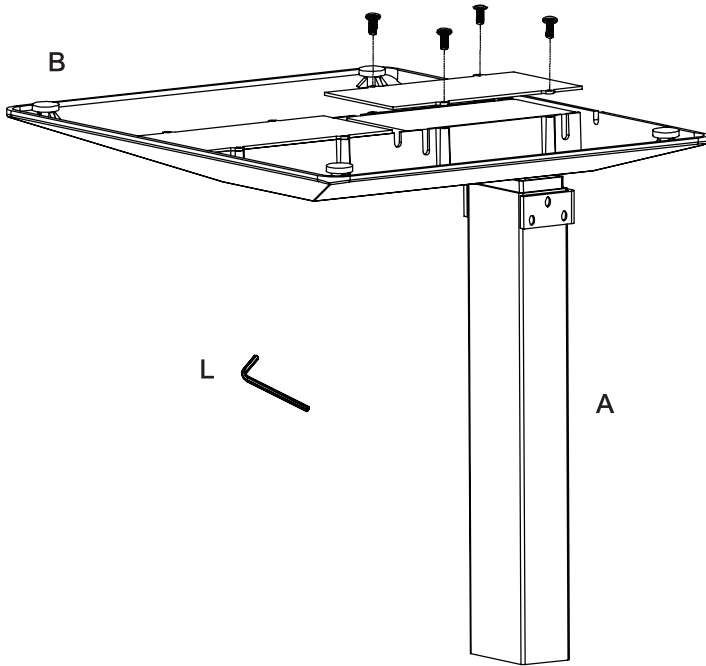
- Place all laminated parts on a clean and smooth surface such as a rug or carpet to avoid the parts from being scratched.
- Check to be sure that you have all parts and hardware.
- Remove all wrapping materials, including staples and packing straps before you start to assemble.
- Don't tighten all screws/bolts until all completely assembled.
- Keep all hardware parts out of reach of children.
- It is recommended for 2 persons to complete this assembly.



Two people are required to assemble and move this model.

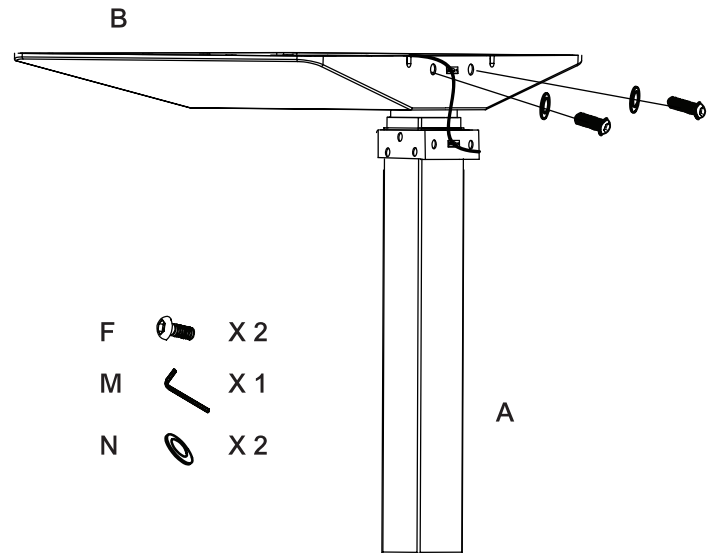
Assembly Instructions

STEP 3



Assemble the bottom cover (refer to step 1).

STEP 4



F  X 2

M  X 1

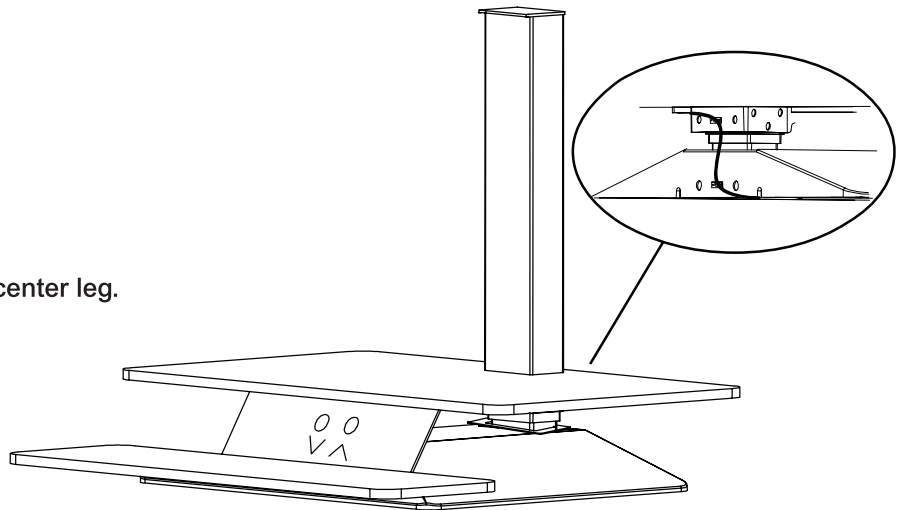
N  X 2

Use 2 pcs M6*10 screws and washers to assemble at the rear position.
Tighten 4 pcs side screws (refer to step 2).

Note : It's convenient to install rear screws upsidedown.

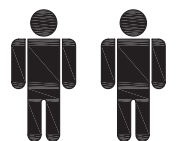
STEP 5

Adjust wire in the cable clamp behind the center leg.



IMPORTANT NOTE:

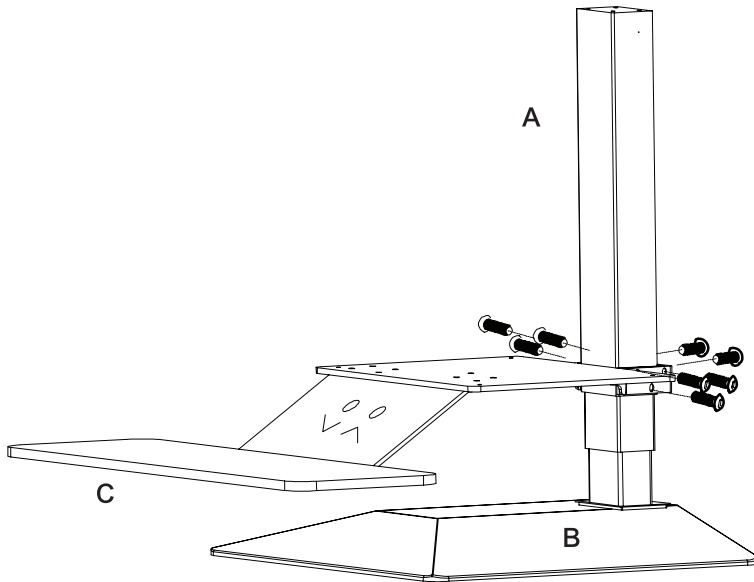
- Place all laminated parts on a clean and smooth surface such as a rug or carpet to avoid the parts from being scratched.
- Check to be sure that you have all parts and hardware.
- Remove all wrapping materials, including staples and packing straps before you start to assemble.
- Don't tighten all screws/bolts until all completely assembled.
- Keep all hardware parts out of reach of children.
- It is recommended for 2 persons to complete this assembly.



Two people are required to assemble and move this model.


Assembly Instructions

STEP 6



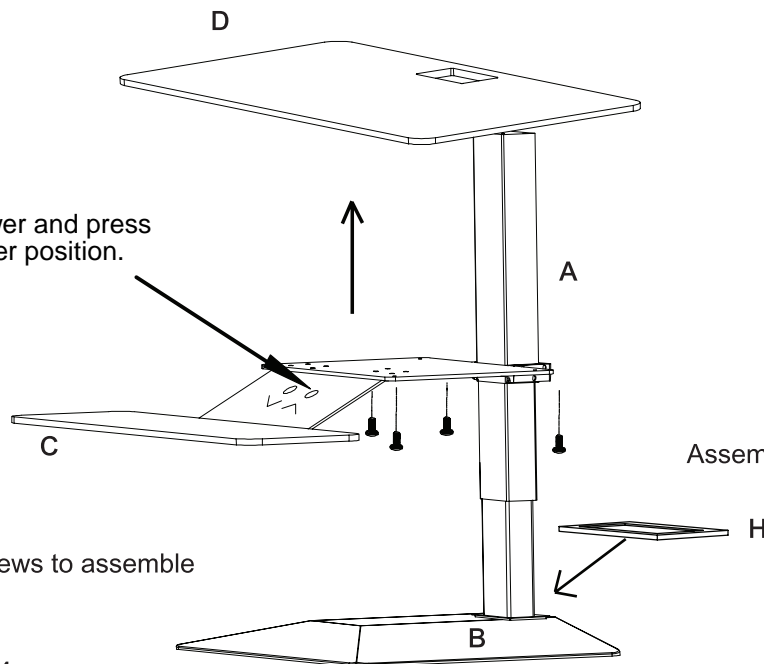
Place table panel (part C) through center leg.
Assemble 8 pcs "F" screws but do not tighten.

Keep desk top panel in horizontal position and
then tighten all 8 pcs "F" screws.

F  X 8
M  X 1



STEP 7

Connect to electricity power and press
button to adjust to a higher position.



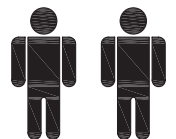
Assemble decorating rubber "H".

Use 4 pcs M5*8 screws to assemble
the top panel.

G  X 4
L  X 1

IMPORTANT NOTE:

- Place all laminated parts on a clean and smooth surface such as a rug or carpet to avoid the parts from being scratched.
- Check to be sure that you have all parts and hardware.
- Remove all wrapping materials, including staples and packing straps before you start to assemble.
- Don't tighten all screws/bolts until all completely assembled.
- Keep all hardware parts out of reach of children.
- It is recommended for 2 persons to complete this assembly.

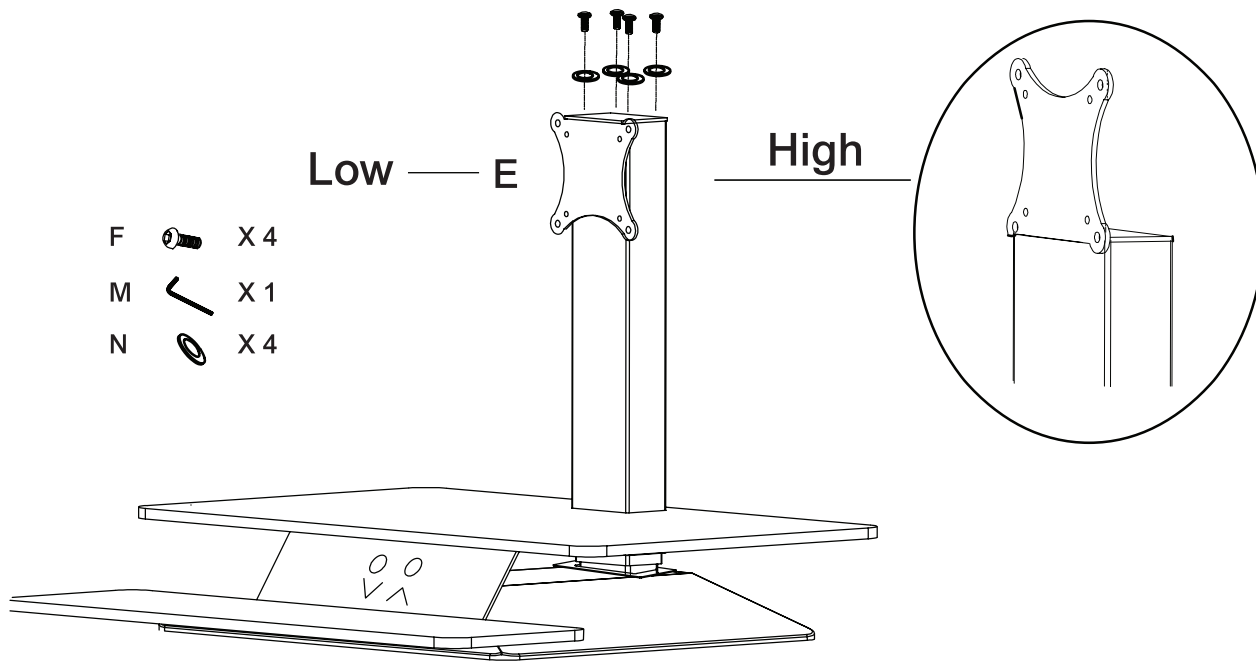


Two people are required to
assemble and move this model.

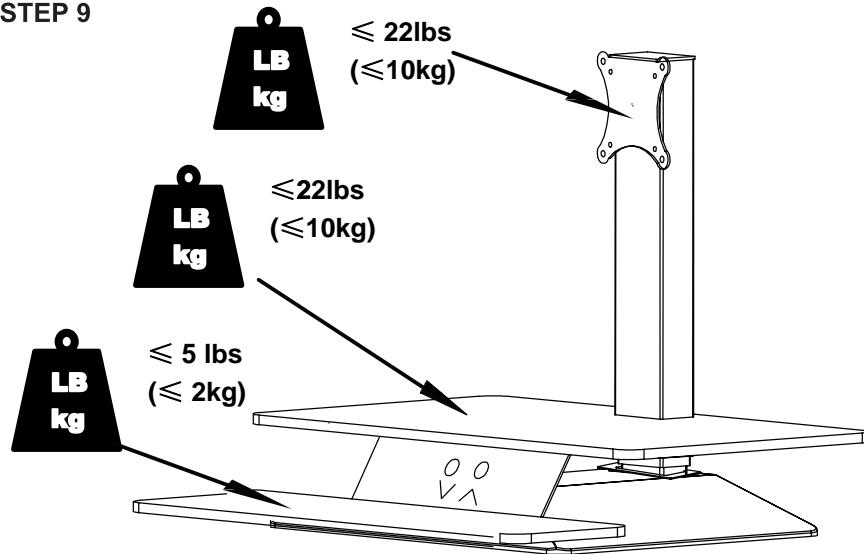
Assembly Instructions

STEP 8

Customer can choose to assemble display support rack (part E) at high or low position.



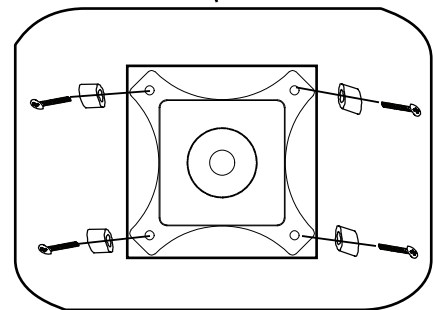
STEP 9



COMPLETED ASSEMBLY

Press "∧" and "∨" buttons to adjust the height.

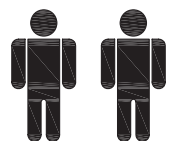
NOTE:
PARTS (I, J, K) are used to assemble the computer screen.



**CAUTION: DO NOT EXCEED MAXIMUM LISTED WEIGHT CAPACITY.
SERIOUS INJURY OR PROPERTY DAMAGE MAY OCCUR!**

IMPORTANT NOTE:

- Place all laminated parts on a clean and smooth surface such as a rug or carpet to avoid the parts from being scratched.
- Check to be sure that you have all parts and hardware.
- Remove all wrapping materials, including staples and packing straps before you start to assemble.
- Don't tighten all screws/bolts until all completely assembled.
- Keep all hardware parts out of reach of children.
- It is recommended for 2 persons to complete this assembly.



Two people are required to assemble and move this model.