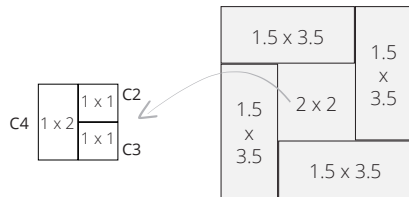


AWARENESS RIBBON

a pattern by  **SEWFINITY**

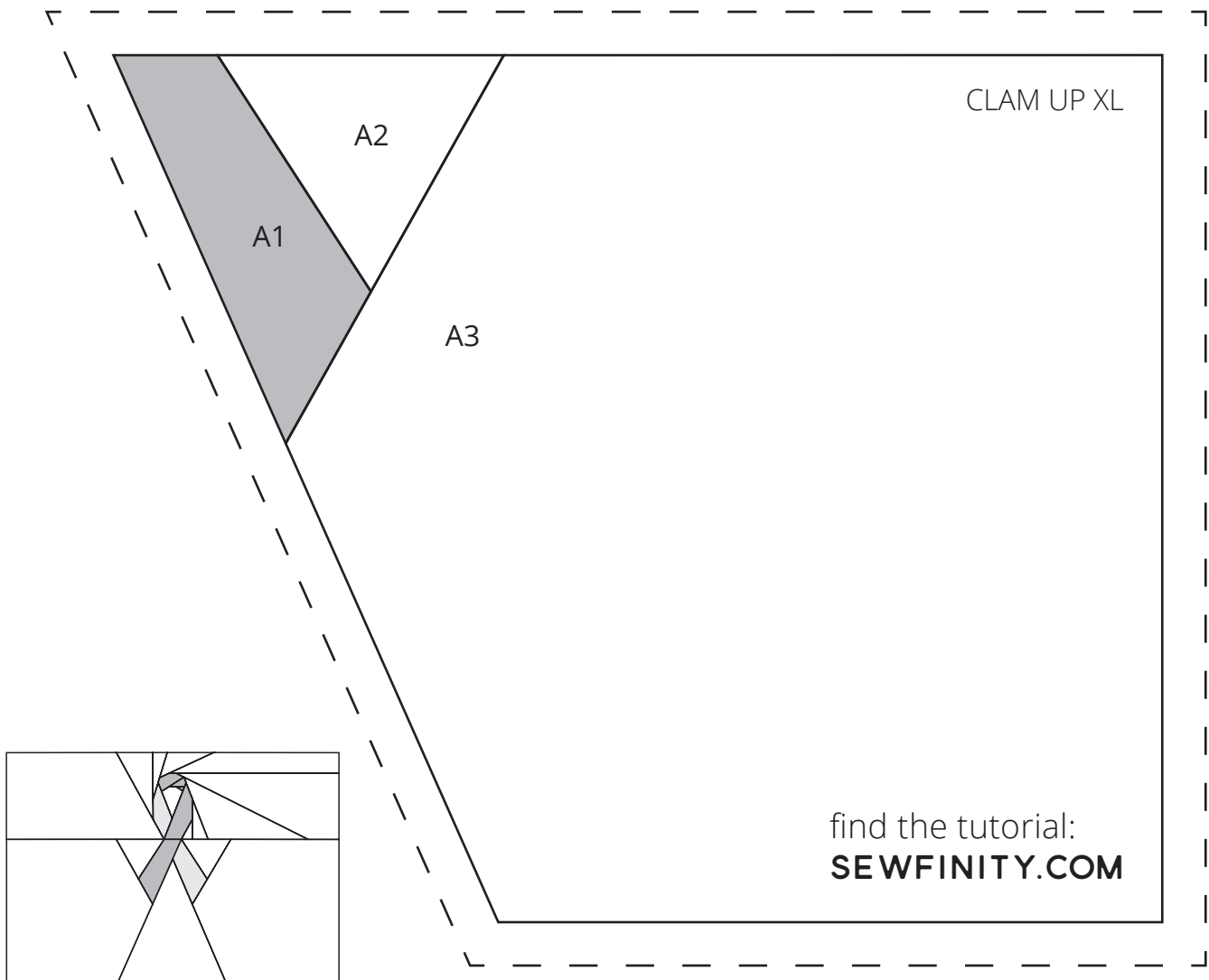
8.5" x 12" PATTERN PIECE FOR CLAM UP XL

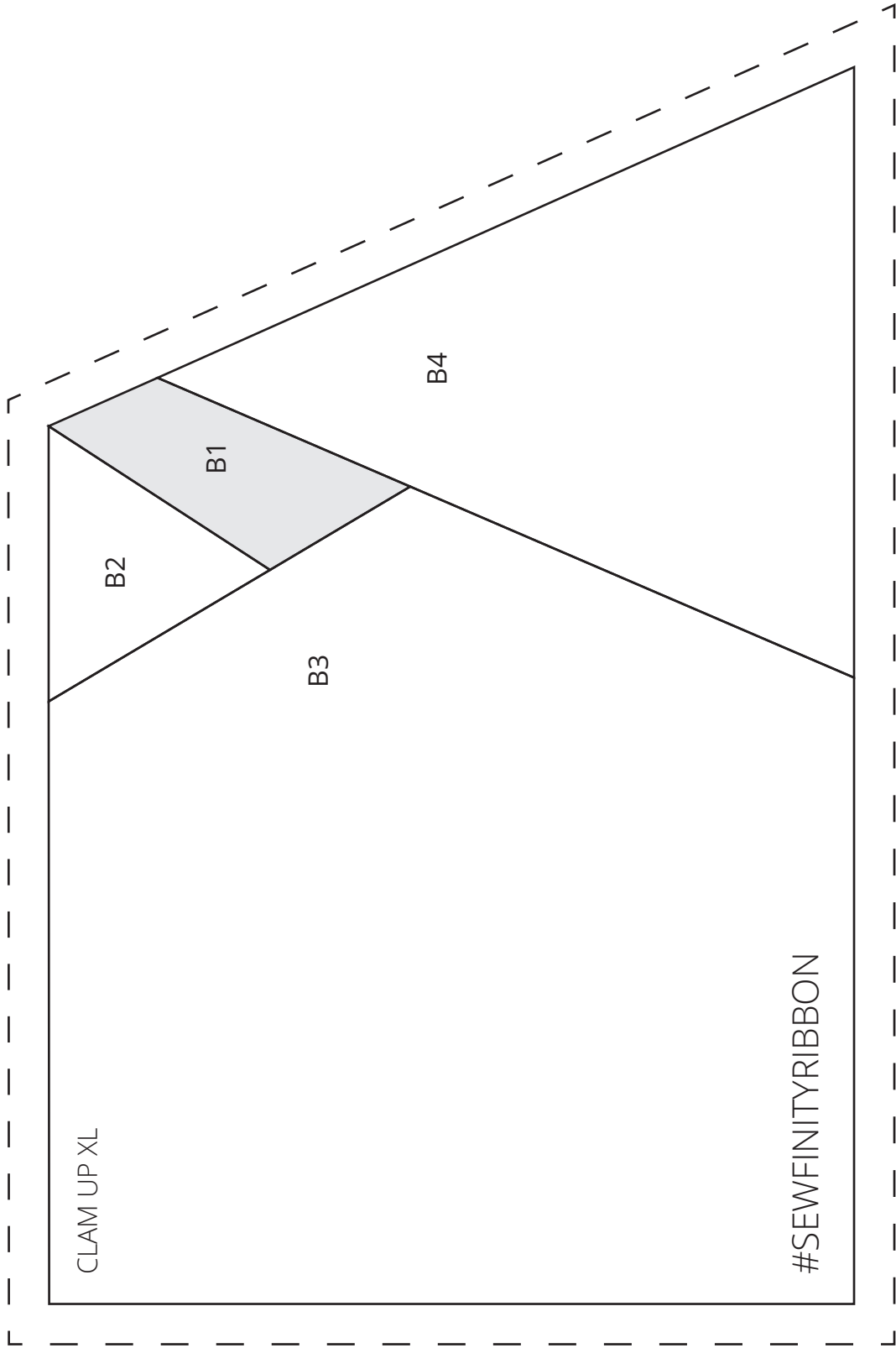
Make a pieced panel for byAnnie's Clam Up XL size! Make this foundation-paper-pieced block and sew 8.5" x 12" of background fabric to the bottom of the block.



| | | fabric | cut |
|--|------------|--|--|
| | color 1 | 5" x 5" | (3) 1.5" x 3.5" |
| | color 2* | 5" x 5" | (2) 1.5" x 3.5" (areas B1, C5) |
| | background | ½ yard (18" x 42") or 1 fat quarter (18" x 21") for FPP experts | <ul style="list-style-type: none"> 8.5" x 12" (to sew to the bottom of the completed block) various oversized pieces (for the FPP templates) |

* if using only one color for the ribbon, a single 5" square will be exactly enough for colors 1 and 2 (with slightly different sized pieces).





Tape templates together, aligning so the combined shape is 12" wide (from outer dashed lines).

