

CONTROL TEMPERATURE PRECISELY

Fish Smart Electric Pour-Over Kettle



FISH SMART 800ML COMMERCIAL VERSION



Premium Quality

A kettle professional for specialty Coffee



Stable
flow



Flash heat



Thermostatic



Strix
controller

FISH SMART 600ML HOME VERSION



800ML VS 600ML

	Water	Power	Start Temp	Target Temp	Time
Home version	600ML	1000W	28°C	88°C	3min 40s
Commercial Version	600ML	1500W	28°C	88°C	2min 23s
	800ML	1500W	28°C	88°C	3min 12s

Patented Thin Spout

Special spout to pour stable and smooth stream
for consistent brewing



Patented Anti-scalding Lid

To protect your fingers from steam

800ML
Anti-Scalding lid



600ML
Anti-Scalding lid



STRIX Temperature controller

Control temperature more precisely Shut off automatically when boil-dry



Set and hold your likely temperature

(Hold between 40-100°C but it may not get to 100 °C
in somewhere due to special altitude)



Slide on the Screen to adjust Temp.

No Switch or Button | Simple Design
Long Press the button to boil 100°C directly



Hidden LED Display

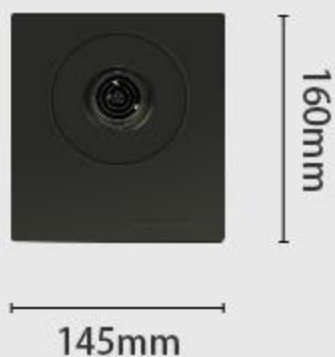


Balanced Handle with
comfortable hand grip

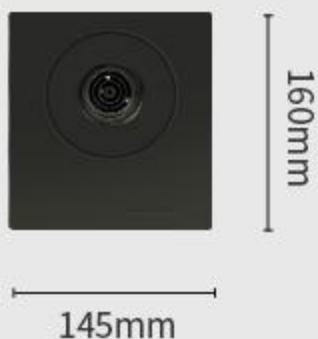


Product parameters

Name:	Fish Smart Electric Pour-Over Kettle
Color:	Black / White
Capacity:	800mL/ 600mL
Rated power:	1000-1500W
Material:	304 stainless steel, ABS



800ML



600ML











