



# CHESTNUT X

Revolution of High-end Coffee Grinder

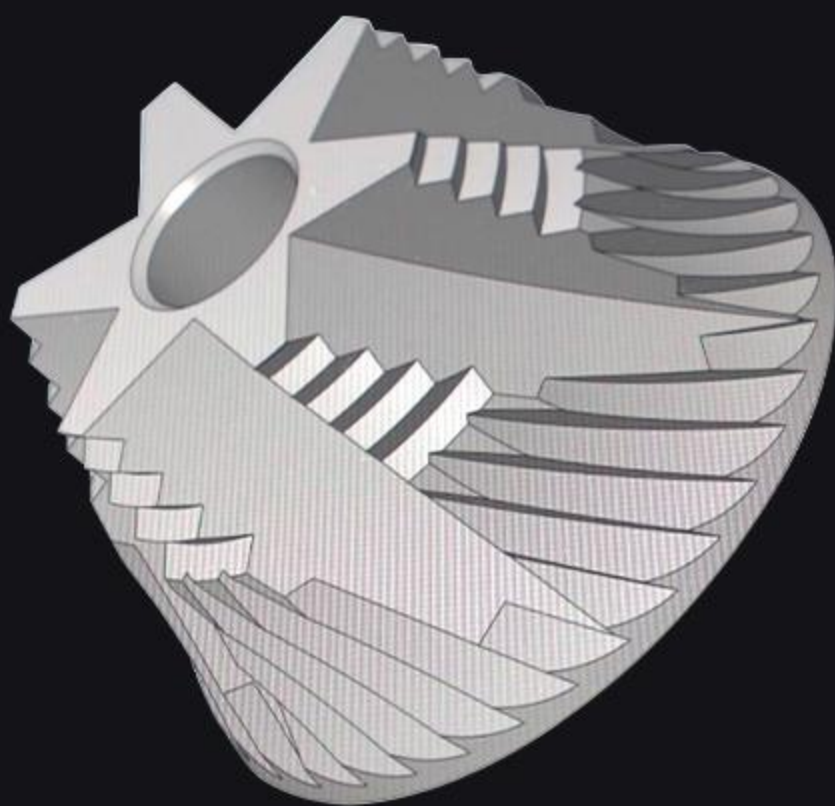
Black     Green



# Patented S2C Burrs

With long-term efforts, we adjusted burrs  
with parameter modeling according to particle  
size distribution data,  
World first S2C (spike to cut) patent to achieve  
"Spike first, cut later"

PATENT ID: ZL 2020 2 0121549.5



①

Secondary Cutting Theory Based on the analysis of grinding process and experiences of professional barista



②

Fully original design burrs

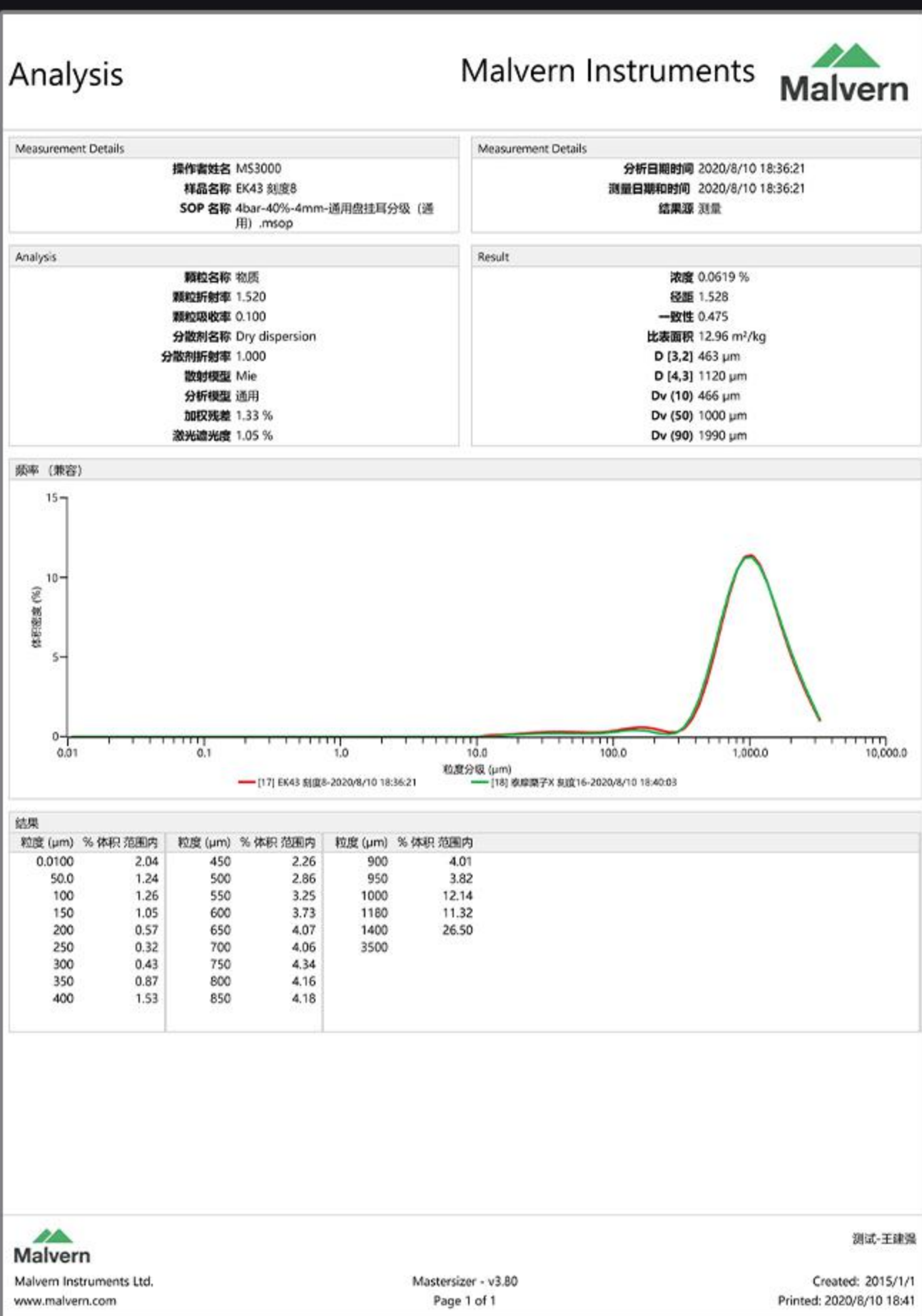
Enhance cutting and reduce squeezing

Dozens of parameter adjustments and tests



# Effectively Reduce Fines Equal to the First Class Electric Grinders

Its fines rates is close to world class electric grinders  
Analyzed by particle distribution



# Keep Silver Skin in Bigger Sheets for Cleaner Tastes

Spike to Cut for secondary grinding

Spike coffee beans first and keep silver skin in large sheets

So it will be easier for you to sieve them out.




# Harder and Durable SUS440 Stainless Steel

High hardness SUS440 high carbon stainless steel

Hardness up to 58.5–60.5HRC

Wear-resistant, rust-resistant

Ratio of carbon   
1%–1.2%

Hardness   
58.5–60.5HRC



# Original Design Patented Foldable Handle

Recommended by coffee master

Continue original design of Grinder Nano

Easy to carry and store

Precise processing, automatic self-lock

Patent number: ZL2017 2 0292267.1



# Patented Original Secondary Adjustment

23 clicks Point to Point adjustment

No more counting clicks

Go directly to the number you want

World first secondary adjustment with 0.2 click per time

Precise inner parts as delicate as a Swiss watch





①

Closer view of Inner parts



②

Adjust directly to the number of grind



24 clicks

3

World First secondary adjustment 0.2 click



**5** fine-tune clicks

# High Precision of Unibody Metal Design

A whole piece of Aluminum alloy cut by CNC

With error of 0.03mm

Get the highest concentricity

Square to Square thread alignment

Stainless steel bearings are rust-resistant

Patent number: ZL 2020 3 0106527.9





# Precision Structure Design

---

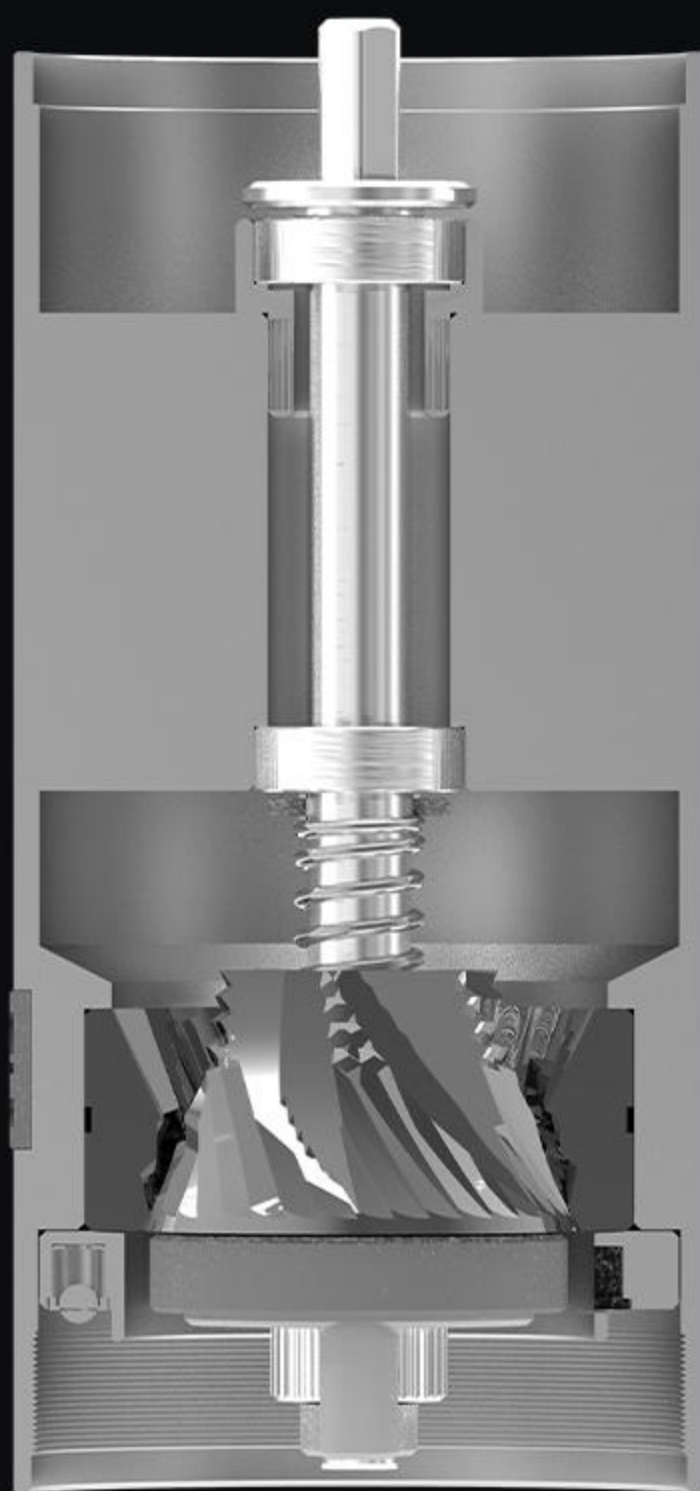
Delicate designs for excellent coaxiality

smooth grinding



# Shaft Fixed by dual bearings

Make sure the smooth grinding and high coaxiality



# Square outside and Round inside

Continue Square outside and Round inside Design of  
Chestnut G1 with Red Dot Design Award



# Exquisite Quality of copper LOGO







## Product parameters

Name: Chestnut X Grinder

Material: Aluminum Alloy

Stainless steel

Capacity: 30g

Size: 160mm\*55mm









Eau  
d'orange verte  
HERMÈS  
PARIS

Eau  
d'orange verte  
HERMÈS  
PARIS









