

CHESTNUT Slim 3

# Effortless Design

Premium Quality and Uniform Design



# Product Features



High  
Sharpness Burrs



Consistent  
Grinding

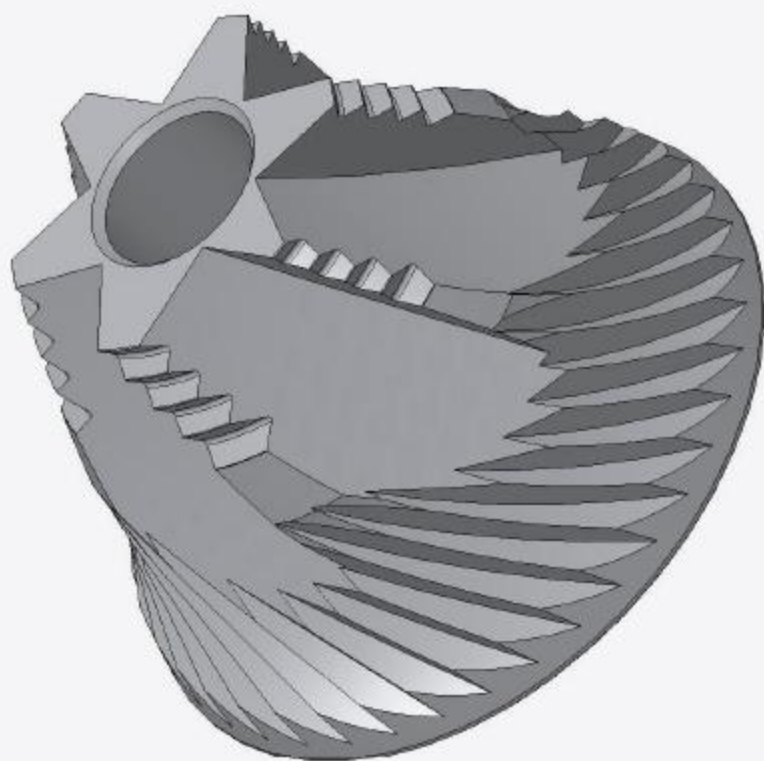


Smooth  
Grinding



Precise  
Coarseness

# Original Patented S2C 660 Burrs



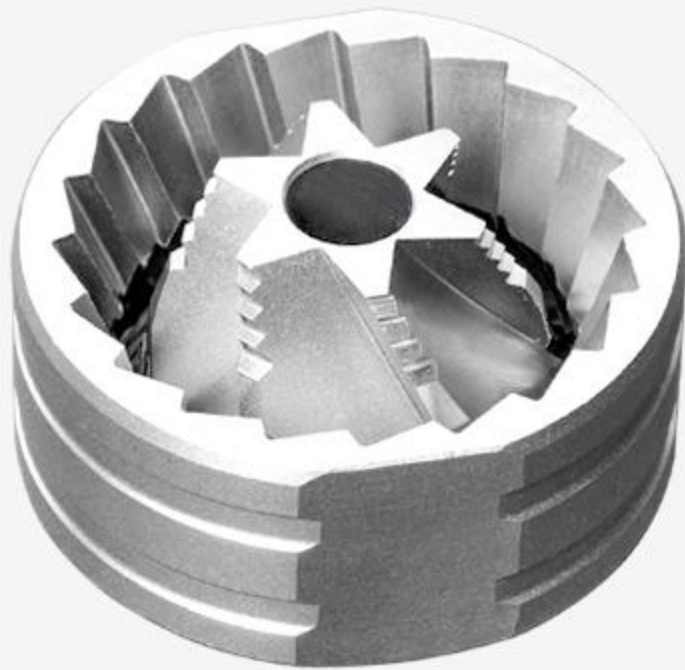
With long time effort of parametric researches and adjustments, we released this new S2C 660 Burrs based on the patented philosophy of S2C (Spike To Cut) to make secondary cutting.

S2C 660 Burrs are derived from the S2C 860 on Chestnut X which received unanimous praise from coffee industry since its release.

TIMEMORE design team has reduced the size and fine-tuned the parameters to improve overall grinding effect significantly.

Patent ID: ZI.202020121549.5





**Model**

Slim 3

**Diameter**

Φ 38mm

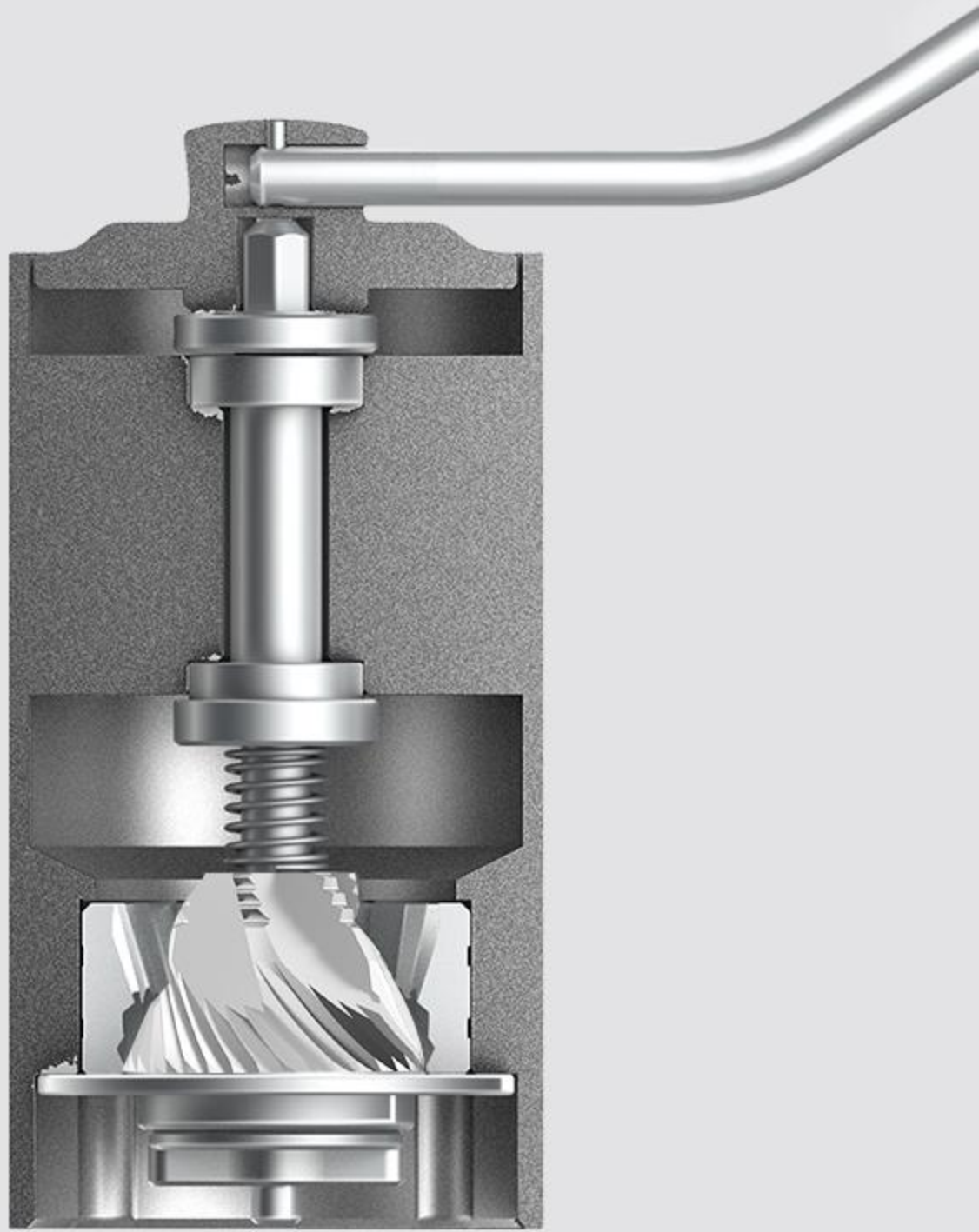
**Material**

SUS 420

## **Features**

High uniformity for pour-over Lower efficiency to grind Espresso

# Precise dual bearings Structural design



Two deep grooved ball-bearings to fix the shaft  
To ensure the fluency and concentricity when the burrs are  
rotating against the shaft



# High-precision machining

Whole piece integrated space aluminum cut by CNC

Limit the tolerances within 0.03mm



# All-aluminum Alloy Container



**Solid Texture  
Tight Hand Grip**





# Effortless design with Smooth Grinding

Users with low physical  
strength can also grind easily



Patent ID: zi.201620488714.6

## Adjustable Coarseness for Different Needs



Patented point to Point coarseness adjustment  
To adjust coarseness precisely and meet Espresso, Moka,  
Pour over and siphon, French Press etc



Espresso

**7-8** clicks



Pour over Coffee

**13-16** clicks



French Press

**17-20** clicks

# Product Parameters



## NAME:

Chestnut Slim 3 Coffee Grinder

## MODEL

Matt Black

---

## CAPACITY:

Around 20g

## MATERIAL

Aluminum Alloy + Stainless Steel + walnut

## SIZE:

Body 160mm x 45mm Handle: 155mm

---

**Warning:** No washing the grinder with any liquid like water. Kindly clean it with a brush

# Professional and Beautiful









VOLUME EIGHT  
**KINFOL**  
DISCOVERING NEW THINGS TO COOK. MAKE.

VOLUME EIGHT







# PRECAUTIONS

1. The device is for grinding coffee beans only. DO NOT grind other material.
2. It's recommended to clean it with a brush. DO NOT wash it with water.
3. Be careful of the sharp metal burrs.
4. Keep kids from using it.
5. Keep it in a cool and dry place.
6. It's not recommended that customers disassemble or replace any part of it. If you have any special requirement, kindly operate with the advice from related professional persons.
7. Warranty is not available if you are against the above remarks
8. If you use the grinder to grind coffee beans, the device is not refundable or returnable unless there is any quality problem. Because burrs may get damaged after use.

## **REMARKS:**

\*We are not in charge of the consequences caused by the violation of the above precautions.

\*Once it's been used, it's not available to return or exchange except quality issues.

Because burrs are consumable, trial grind is not available.

