

sculptor_{064/064s}

TIMEMORE electric coffee grinder

Specially built for pour over/espresso

Like a sculptor

Carefully sculpt each piece of ground coffee



Product Features



Patented Burrs

064: Turbo Burrs enabling high grinding uniformity

064s: Flat Burrs compatible for both Pour Over and Espresso



Patented fines cleaner mechanism

First compact rotary knob to shake fines



Magnetic Assembly

Container magnetically aligned to the center



Adjustable speed

set different revolutions for different grinding experience

sculptor_{064/064s}

Extremely Consistent Grinding



sculptor 064/064S

Patented Turbo/Flat Burrs

Turbo Burrs:

Come with two layers of teeth (arc, vortex and burr teeth) to cut beans fast and consistently, and at the same time, effectively reduce fines caused by squeezing the coffee beans.

Flat Burrs :

Compatible for both pour over and espresso



Turbo Burrs 064

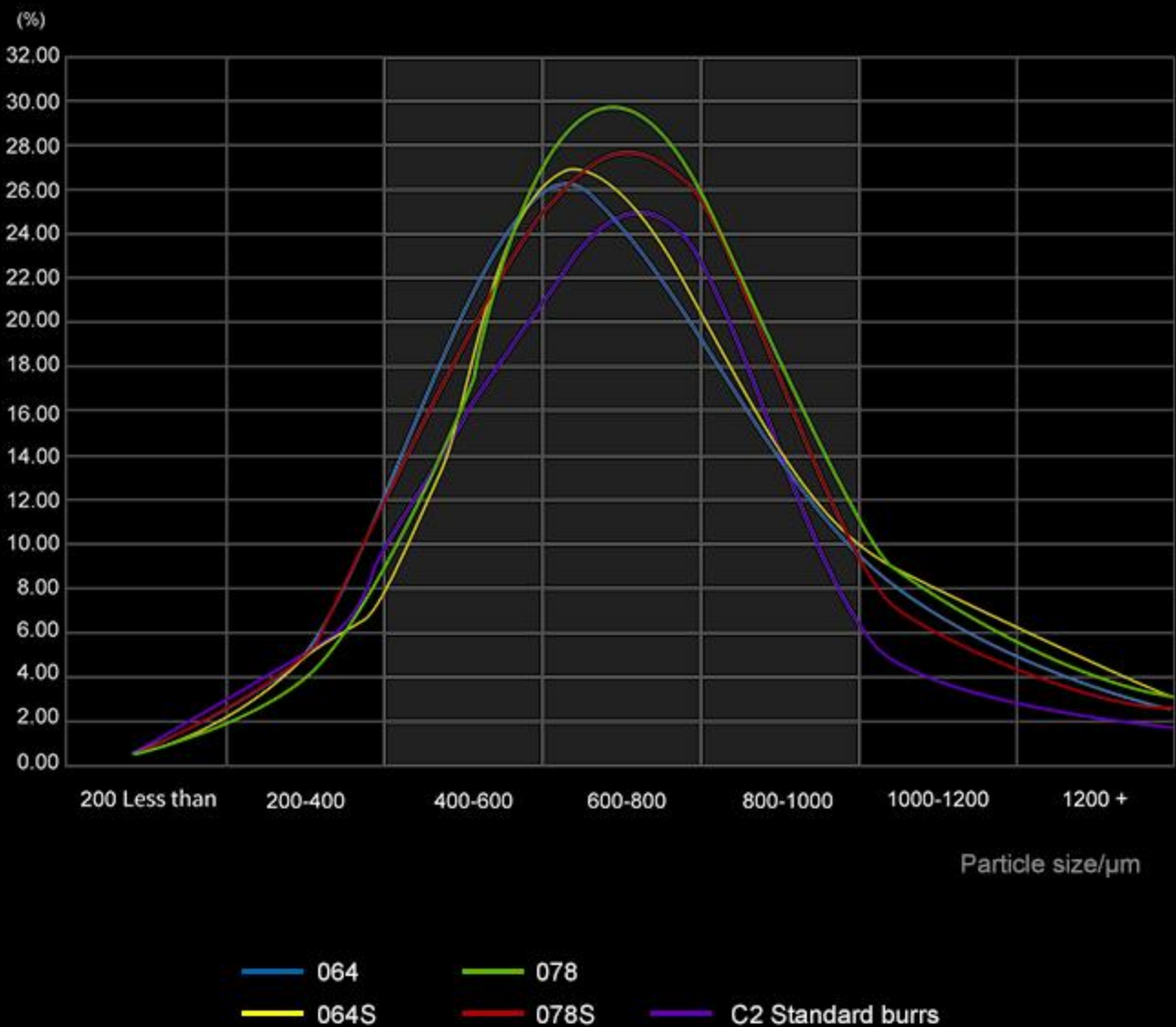


Flat Burrs 064S

Particle Size Distribution

Unit ((μm)	<200	200-400	400-600	600-800	800-1000	1000-1200	1200 +
064 Ratio	8.41%	13.64%	32.34%	25.64%	13.83 %	4.51%	1.6%
064S Ratio	9.07%	12.62%	26.64%	28.16%	13.67%	5.13%	4.71%
078 Ratio	9.28%	11.31%	27.53%	32.74%	16.13 %	2.86%	0.05%
078S Ratio	9.04%	13.61%	29.36%	27.03%	15.88 %	2.71%	2.37%
C2 Ratio	14.59%	16.53%	26.48%	29.38%	8.88 %	2.33%	1.81%

Due to limited lab conditions, the data from QICPIC laser analyzer are for your reference only, which may differ from tests made by hand-sifting.



Conclusion: compared with regular burrs in the market, our Sculptor series have a more concentrated particle size distribution. As shown in the graph, most ratios of Turbo burr series are gathering especially between 400-1000 μm .



Patented Rotary Knocker

It's usually difficult to clean fines thoroughly from the grinder spout. We designed this rotary knocker to have fines cleaned effectively. You will just have to quick turn the knocker, and most of the fines will be shaken off.

New utility patent NO.: 2022 1 0666501.8



Sensory Brushless Motor

We adapt this more expensive brushless motor with PID control and Hall components, which can only be found among high-end brands. Brushless motor can rotate without contacting the stator, therefore zero-friction, enabling a longer lifespan and a more stable usage (does not shake during operation).

Magnetic bean lid

The bean lid is magnetic. When the lid covers half of the mouth, it will automatically be aligned and snapped on. This prevents the beans from hopping out.



32 clicks grinding grades for your options

Turn the dial with a scale to adjust the coarseness. You can read the value pointed to the red mark on the side. If it's smaller, the coarseness is finer and vice versa.

064: 32 Steps

064S: Stepless



Espresso



French Press



Pour over Coffee

Details

Slim-fit body design

It's compact and you can place it at home or at your cafe.



Magnetically Aligned Container

The magnetic container slides automatically
to the center smoothly and accurately



Metal polished buttons

One-click to start



Heat dissipation design

Fast temperature dissipation



The speed adjustment

Adjustable speed from 800 RPM to 1200 RPM





Product Parameters



NAME:

Sculptor 064/064S Electric Coffee Grinder

COLOR:

Black or White

Voltage:

100-120V AC 60 Hz
200-240V AC 50 Hz

Rated power:

150W

MATERIAL:

Aluminum Alloy
Stainless Steel +PP

WEIGHT:

4.1 KG

Dimensions L*W*H (mm):

225mm*100mm*256mm

Catch Cup Size:

58mm*84.8mm

Warning:

No washing the grinder with any liquid like water. Kindly clean it with a brush

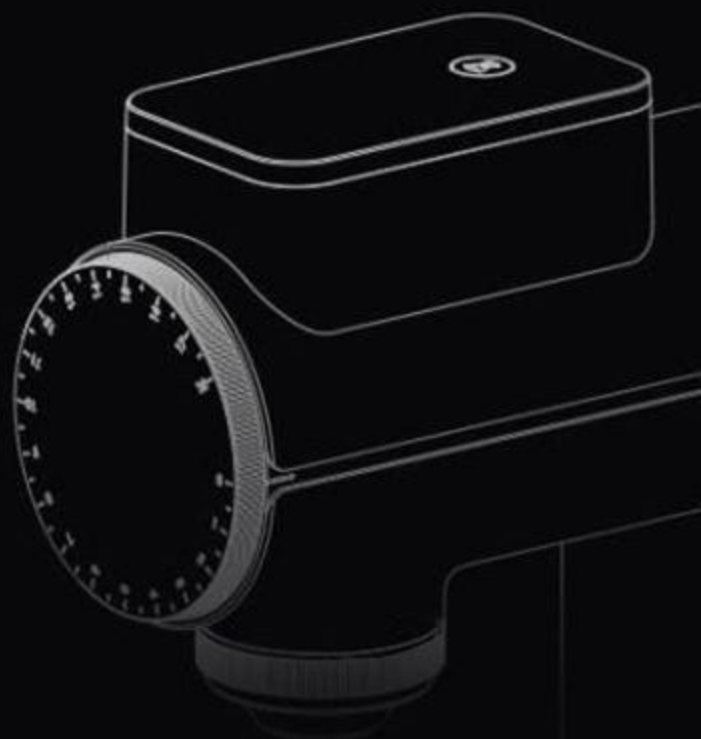
Professional and Beautiful





sculptor 064/064s

TIMEMORE electric coffee grinder



Shows originality

Patented Burrs: Turbo burrs for 064 and Flat burrs for 064s. Sensory Brushless Motor: stable and longer lifespan. Rotary Knocker: clean fines easily and effectively. Adjustable RPM: free to switch from 800-1200 RPM.

Factory test

We test each grinder before the shipment to ensure grinding quality of each device.

Therefore, there might be some fines stuck inside, which is normal. The grinders sold in our store are all brand new products.

About cleaning

Please clean with a brush or an air blower. It's not recommended to disassemble or replace the grinding blades and other internal parts. Due to the problems caused by self-disassembly, we only provide paid corresponding after-sales service.