

FELLOW

Corvo EKG™
Electric Kettle

Safety and Instruction Guide

Corvo EKG™

Electric Kettle

Fellow Industries, Inc.

Fellowproducts.com

Email: hello@fellowproducts.com

San Francisco, CA 94110

Product name: Corvo EKG Electric Kettle | Patent pending

1-year limited warranty | Designed in San Francisco, made in China

Model	Specifications
RR01AA1A	120V-1 9A 50/60Hz 1200W Weight: 2.6 lbs/1190 g (includes kettle base) Dimensions (LxWxH): 8.75in (222mm) x 6.75in (171mm) x 8in (203mm) Capacity: 30oz (0.9L) Cord length: 2.5 ft (76.2cm)



USA: household and commercial, Canada: commercial only

FCC Compliance Statement -

This device complies with part 15 of the FCC Rules. Operation is subject to the following two conditions: (1) This device may not cause harmful interference, and (2) this device must accept any interference received, including interference that may cause undesired operation.

Warning: Changes or modifications to this unit not expressly approved by the party responsible for compliance could void the user's authority to operate the equipment.

Note: This equipment has been tested and found to comply with the limits for a Class B digital device, pursuant to Part 15 of the FCC Rules. These limits are designed to provide reasonable protection against harmful interference in a residential installation. This equipment generates, uses, and can radiate radio frequency energy, and if not installed and used in accordance with the instructions, may cause harmful interference to radio communications. However, there is no guarantee that interference will not occur in a particular installation. If this equipment does cause harmful interference to radio or television reception, which can be determined by turning the equipment off and on, the user is encouraged to try to correct the interference by one or more of the following measures:

- Reorient or relocate the receiving antenna.
- Increase the separation between the equipment and receiver.
- Connect the equipment into an outlet on a circuit different from that to which the receiver is connected.
- Consult the dealer or an experienced radio/TV technician for help.

THIS PRODUCT IS FOR
USA: HOUSEHOLD AND COMMERCIAL USE
CANADA: COMMERCIAL USE ONLY
SAVE THESE INSTRUCTIONS

Precision Pour Spout

Corvo EKG's spout is shaped for a controlled, no-spill pour. No glugging or splashing here.

Ergonomic Grip

You wish you had this good of a grip on your nerf gun.

304 18/8 Stainless Steel

High grade stainless steel for the best build quality.

Counterbalanced Handle

Back that mass up. EKG's weighted handle shifts the center of mass closer to your hand for an easier pour.

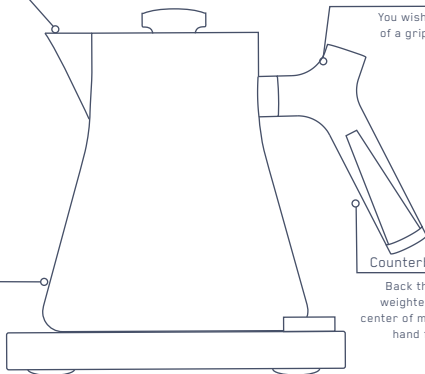


Diagram 1A

Main Button

One button to rule them all. Set temperature to-the-degree, start Brew Stopwatch, and turn the kettle on/off here.

Hi-Res LCD Screen

Just about the sleekest looking kettle screen we've ever laid eyes on.

HOLD Toggle

Get distracted easily? Here's an option to hold your set temperature for up to 60 minutes.

Fahrenheit/Celsius Toggle

Choose between Fahrenheit and Celsius for your temperature setting.

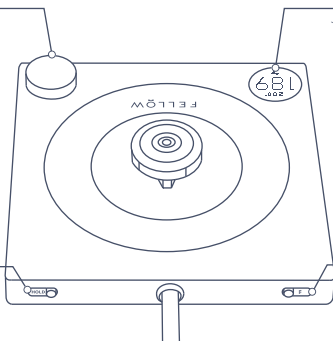


Diagram 1B

READ ALL INSTRUCTIONS. DO NOT THROW AWAY THIS SAFETY GUIDE.

Important Safeguards

Before use, please read these safety warnings carefully and use the kettle properly. These safety warnings are indicated for the safe and proper use of this product, to prevent danger to the user or others, and damage to property.

When using electrical appliances, basic safety precautions should always be followed, including the following:

- Corvo EKG's electric base is small and the kettle's body looks strikingly similar to our stovetop kettle, but make no mistake, they are not the same! This is an electric kettle that CANNOT be used on a stove.
- Do not place on or near a hot gas burner or electric burner, in a heated oven, or in a microwave.
- Do not touch hot surfaces of the product. Use the handle at all times.
- To protect against fire, electric shock, and injury to persons, do not immerse cord, plug, or any other part of the kettle or base in water or other liquid.
- Never leave Corvo EKG unattended when in use (including when in HOLD mode). Close supervision is necessary when any appliance is used by or near children. Do not use within a child's reach.
- This appliance is not intended for use by persons (including children) with reduced physical, sensory, or mental capabilities, or lack of experience and knowledge, unless they have been given supervision or instruction concerning use of the appliance by a person responsible for their safety. Children should be supervised to ensure that they do not play with the appliance.
- Unplug from outlet when not in use and before cleaning. Allow to cool before putting on or taking off parts and before cleaning the appliance.
- To disconnect from power source, press main button to switch "OFF" and then remove plug from outlet. Do not pull on cord itself as it may damage cord and eventually cause electric shock.
- Do not operate Corvo EKG with a damaged cord or plug, if the kettle malfunctions, or if the product has been damaged in any manner.
- Ensure that your main supply voltage is the same as that marked on the underside of your kettle - 120V.
- To avoid an electrical overload, do not operate another high-wattage appliance on the same circuit.
- The use of accessory attachments is not recommended by Fellow as it may result in fire, electric shock, or personal injury.
- Do not use outdoors.
- Do not place any utensils into the kettle.
- After unpacking Corvo EKG, dispose carefully of the plastic bags so that children and others cannot reach them.

- Do not fill above the 'max' fill point as displayed in the diagram below. Do not fill above this point. If the kettle is overfilled, hot water may be ejected. See diagram 1C below for reference. We suggest using only the amount you need to conserve water and energy.

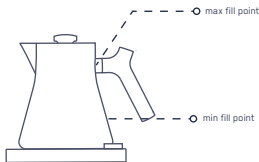


Diagram 1C

- Do not operate dry or below the 'min' fill point. Dry boiling the kettle may result in permanent damage and potential fire. The 'min' fill point is one inch above the floor of the kettle. See diagram 1C above for reference.
- A short power-supply cord is provided to reduce risks resulting from becoming entangled in or tripping over a longer cord.
- Do not let cord hang over edge of table or counter, or touch hot surfaces.
- Do not use a longer detachable power-supply cord or extension cord.
- Remove the kettle from its power base before filling. Remove all moisture on the bottom of the kettle before placing it onto the power base.
- Kettle must be operated on a flat surface away from the edge of counter to prevent accidental tipping.
- Never move the kettle and kettle base together while the unit is in use.
- To avoid burns and risk of personal injury, use extreme caution when carrying kettle containing hot water.
- Do not use the kettle if your hands are wet.
- Position the kettle properly on the power base before switching on.
- Use the kettle only with delivered power base. Do not use any other kettle on delivered base, or any other base with delivered kettle. Use only the original, delivered pair together.
- After using kettle, wait until kettle has cooled down before removing lid.
- To avoid possible steam damage, turn spout away from walls or cabinets during use.
- Use protective pad under kettle after it has been heated to prevent damage to surfaces.
- To reduce the risk of fire or electric shock, do not remove bottom cover from base or disassemble base or kettle in any way. There are no user-serviceable parts inside. Repair should be done by authorized service personnel only. Opening base or kettle will result in a void of the one year warranty.

- Do not operate in the presence of explosive and/or flammable fumes.
- Do not use for other than intended use. This appliance is intended for household and commercial use only. Use for anything other than intended use will void the one-year warranty.
- **TO PREVENT SCALDING:**
 - Never use the kettle without its lid.
 - Do not remove the lid while the kettle is boiling.
 - Scalding may occur if the lid is removed during the brewing cycles.
 - Be aware of steam being emitted from spout or lid especially during refilling.
 - Water can remain hot for a long time after boiling and can present a scalding hazard. Keep the kettle and the kettle base away from the edge of the work surface and out of the reach of children. Do not remove the lid until the kettle cools down.
- **GROUNDING PLUG:** This appliance has a grounded, three-prong plug and must be grounded with a three-prong outlet when in use. To ensure protection against risk of electric shock or fire, connect to properly grounded outlets only. Do not attempt to defeat this safety feature.
- **DO NOT HEAT AN EMPTY KETTLE:** The concealed heating element in the bottom of the kettle is protected by an automatic safety device. If your kettle is accidentally heated without being filled or is allowed to boil dry, it will automatically cool down and then turn off. If this happens, unplug the kettle, fill with cold water, and wait a few minutes before replacing it on the base and plugging in.
- Save these instructions.

Use Instructions

Please read all use instructions fully before turning on and using your kettle.

First Time Use Cleaning

- Place the Corvo EKG's base and kettle on a flat, level surface.
- Remove Corvo EKG's lid to add water. Do not remove lid if hot.
- After adding water, insert lid and ensure spout is not close to and/or facing a wall or cabinet.
- Plug the power cord into wall outlet - make sure to follow the safety guidelines above.
- For **FIRST USE**, rinse interior of kettle and then boil small amount of water (approx halfway full from the "max fill" line in diagram 1C). Make sure you fill to at least the min fill point in diagram 1C.
- Set goal temperature to 212 degrees Fahrenheit or 100 degrees Celsius to boil cleaning water.
- Boil water for one minute, then turn off kettle.
- Discard initially boiled water; this water should not be consumed. Your Corvo EKG is now ready to use.

Turn Kettle ON/OFF

To turn Corvo EKG on, press main button and wait for LCD screen to light up. To turn Corvo EKG off, press button and wait for LCD screen to turn black.

Select Display Temperature Setting

Choose your preferred temperature setting of Fahrenheit or Celsius by switching the temperature toggle on the back of the base. See diagram 1D for reference.

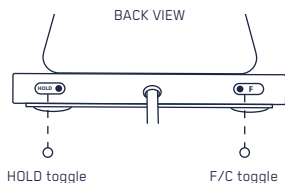


Diagram 1D

Set a Goal Temperature

- Turn main button clockwise to increase SET temperature. The LCD screen will display temperature (numerical) options as you twist.
- Once you arrive at your desired temperature, stop turning the button. Corvo EKG will display this SET temperature for one second.
- On Corvo EKG's LCD screen, F or C will start blinking, indicating the kettle is heating to your desired SET temperature.

Turn On HOLD Mode

Corvo EKG's HOLD mode allows the kettle to hit your desired SET temperature and maintain that SET temperature for 60 minutes. This is an optional setting. See diagram 1E for reference.

- To turn HOLD mode on, switch the hold toggle on the back of the base so that the toggle reads "HOLD." The screen will flash "HOLD ON" for one second.
- When Corvo EKG is in hold mode, "HOLD" will appear in the top of the LCD screen when your SET temperature is reached. This indicates that the kettle is in hold mode. See diagram 1E for reference.

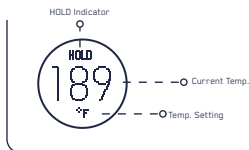


Diagram 1E

- Once in HOLD mode, set your goal temperature with the steps above (in "Set a Goal Temperature").
- If you lift your kettle off of the base and then return it to the base, Corvo EKG will reset the 60 minute hold and continue heating your water.

- Once 60 minutes have passed without lifting the kettle off the base, Corvo EKG will go into standby for 15 minutes, then turn itself off.
- To turn HOLD mode off, switch toggle so that the toggle reads blank.
- When NOT in the 60 minute hold mode, the kettle will only maintain goal temperature for 5 minutes.

Initiate Brew Stopwatch

- Corvo EKG comes with a built-in Brew Stopwatch to keep track of your brew time. To start the stopwatch, hold the main button down for 2 seconds.
- The LCD screen will start a 3 second countdown, giving you time to get ready to pour.
- After countdown, the Brew Stopwatch will start counting up by seconds.
- To turn the stopwatch off and return to the main screen, click the main button once.

High Altitude Use

At higher elevations, water will boil at a lower temperature. At sea level, water boils at 100°C. For every 500 feet/152 meters in elevation gain, the boiling point for water decreases by approx. 0.9°F/0.5°C. Please use the following chart to know when your kettle is boiling:

HIGH ALTITUDE CHART

ALTITUDE, ft (m)	BOILING POINT OF WATER, °F (°C)
0 ft (0 m)	212°F (100°C)
500 ft (150 m)	211.1°F (99.5°C)
1,000 ft (305 m)	210.2°F (99°C)
2,000 ft (610 m)	208.4°F (98°C)
5,000 ft (1524 m)	203°F (95°C)
6,000 ft (1829 m)	201.1°F (94°C)
8,000 ft (2438 m)	197.4°F (91.9°C)
10,000 ft (3048 m)	193.6°F (89.8°C)
12,000 ft (3658 m)	189.8°F (87.6°C)
14,000 ft (4267 m)	185.9°F (85.5°C)

Optimal Brew Temperatures

Follow our brew chart below to use the optimal brew temperatures for coffee, tea, and other hot drinks. Please note, since tea has a wide range of types, the tea steeping temperatures below are basic guidelines. If your tea comes with brew instructions, we recommend following their instructions.

OPTIMAL TEMPERATURE BREW CHART

COFFEE	195 - 205° F (90 - 96° C)
WHITE/GREEN TEA	170 - 200° F (76 - 93° C)
OOLONG TEA	185 - 200° F (85 - 93° C)
HERBAL/BLACK TEA	200 - 212° F (85 - 100° C)
HOT COCOA/CIDER	190° F (88° C)

How To Evaluate Tea + Coffee



Aroma

What do you smell? Look for a subtle bouquet of herbs, fruits, flowers, and other smells. Aroma can help you identify freshness and overall quality, and is a sneaky way to identify any defects or off-tastes in the bean or leaves.



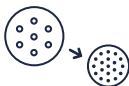
Acidity

Not to be confused with sourness, which can be a coffee defect, acidity is a brightness that can give tea and coffee life! Look for sweet tartness and delicate crispness in many great teas and coffees. For coffee, in general, dark roasted beans will be less acidic.



Sweetness

Is your drink super sweet or only subtle?
Does the sweetness resemble that of
caramel, hard candy, or peaches?



Body

Body, or mouthfeel, can be thought of as the weight of the tea
and coffee (to simplify, think skim milk vs. 2% vs. whole milk). Is
the mouthfeel of your drink light and silky, heavy and rich, or
thin and lifeless?



Flavor

Flavor attempts to identify specific tastes. Floral,
fruit, tobacco, wine, nutty, earthy, spice, and smoky
are just a few of the many ways to describe tea and
coffee. What can you identify?



Finish

What lingers after your drink is consumed? Great
teas and coffees remain on the tongue even after the
drink has been consumed. Look for sweetness and
pleasing flavors to endure.

Cleaning Storage

Cleaning

- Before cleaning, be sure the base is unplugged and the kettle has cooled completely. Empty any remaining water from the kettle.
- Wash the inside of the kettle with soapy water and rinse. NEVER IMMERSE THE KETTLE IN WATER OR OTHER LIQUIDS.
- Do not place in a dishwasher.
- Wipe the exterior of the kettle and base with a damp cloth or sponge and dry. Do not use abrasive soaps, cleansers, or scouring pads on any part of the kettle as it may damage the finish.
- Over time, the kettle may heat up but won't boil; this may be due to scaling and mineral deposits which can build up inside the kettle depending on your use and the hardness of the water in your area. When this happens, it's time for descaling. Use a scale/lime remover and follow its manufacturer's directions.

Storage

- Clean and dry all parts before storing. Store the kettle in its box or in a clean, dry place.
- Never wrap the power cord around the kettle.

Service or Repair

For service, repair, or any questions regarding your appliance, first visit Fellowproducts.com/EKGmanual. If you still have questions, reach out to us at hello@fellowproducts.com. Do NOT mail the product back to the manufacturer or bring it to a service center without first talking to a Fellow customer service representative.

FULL ONE-YEAR WARRANTY

Fellow warrants this product against any defects that are due to faulty material or workmanship for a one-year period after the original date of consumer purchase.

This warranty is valid only for:

- The original consumer.
- When kettle is purchased through authorized retailers.
- With the original sales receipt for proof of purchase to make your warranty claim.

This warranty does not include damage to the product resulting from:

- Accident, misuse, or repairs performed by unauthorized personnel.
- Operation with the wrong type of current or voltage.
- Failure to follow cleaning instructions for both the kettle and cleaning/descaling agents.
- Failure to comply with any safeguards listed in the warnings and instructions of this document.

If the product should become defective within the warranty period, or you have questions regarding warranty or service, email us at hello@fellowproducts.com

Congrats on making it this far! Do you like surprises as much as we do? We hope so. There's an Easter egg in Corvo EKG's software. You have 2 hints to find it:

- The hen must leave the nest.
- One must travel across the farm and back to trigger the egg.

FELLOW

Corvo EKG™

Bouilloire électrique

Manuel de sécurité et d'instruction

Corvo EKG™

Bouilloire électrique

Fellow Industries, Inc.

Fellowproducts.com

Email: hello@fellowproducts.com

San Francisco, CA 94110

Nom du produit: Bouilloire électrique de Corvo EKG | Brevet Déposé | Autres brevets en attente,
01 an de garantie | Conçu à San Francisco, fabriqué en Chine

Modèle	Spécification
RR01AA1A	120V~ 9A 50/60Hz 1200W Poids: 2.6 lbs/1190 g (compris la base de bouilloire) Dimensions (L x l x H): 8.75 pouces (222mm) x 6.75in (171mm) x 8 pouces (203mm) Capacité: 30oz (0.9L) Longueur du cordon: 2.5 ft (76.2cm)



USA: Domestique et commercial, Canada: commercial uniquement

Déclaration de conformité FCC -

Cet appareil est conforme à l'article 15 des règlements de la FCC. Son fonctionnement est soumis aux deux conditions suivantes: (1) Cet appareil ne doit pas provoquer d'interférences nuisibles et (2) cet appareil doit accepter toutes les interférences reçues, y compris celles pouvant entraîner un fonctionnement indésirable.

Attention: Les changements ou modifications apportés à cet équipement non expressément approuvés par la partie responsable de la conformité peuvent annuler l'autorité de l'utilisateur à utiliser l'équipement.

Remarque: Cet équipement a été testé et déclaré conforme aux limites imposées aux appareils numériques de classe B, conformément à la section 15 des règles de la FCC. Ces limites sont conçues pour fournir une protection raisonnable contre les interférences nuisibles dans une installation résidentielle. Cet équipement génère, utilise et peut émettre un flux de fréquence radio s'il n'est pas installé et utilisé conformément aux instructions et peut provoquer des interférences nuisibles aux communications radio. Cependant, rien ne garantit que des interférences ne se produisent pas dans une installation particulière. Si cet équipement cause des interférences nuisibles à la réception radio ou télévision, ce qui peut être déterminé en éteignant puis en rallumant l'équipement, l'utilisateur est encouragé à essayer de corriger l'interférence par une ou plusieurs des mesures suivantes:

- Réorienter ou déplacer l'antenne de réception.
- Augmenter la distance entre l'équipement et le récepteur.
- Connecter l'équipement à une prise sur un circuit différent de celui auquel le récepteur est connecté.
- Consultez le revendeur ou un technicien expérimenté en radio/TV pour obtenir de l'aide.

CE PRODUIT EST POUR
ETATS UNIS: USAGE DOMESTIQUE ET COMMERCIAL
CANADA: COMMERCIAL UNIQUEMENT
CONSERVEZ CES INSTRUCTIONS

Pour plus d'informations, visitez le site Fellowproducts.com/corvomanual

Bec Verseur De Précision

Le bec de la Corvo EKG est conçu pour verser sans déverser. Il y aura ni éclaboussure par ici.

Poignée Ergonomique

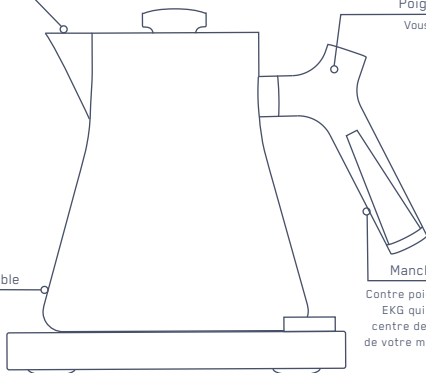
Vous avez besoin de cette bonne prise de main.

304 18/8 Acier Inoxydable

Acier inoxydable de haute qualité pour une meilleure conception.

Manche Contrebalancé

Contre poids. Poignée léger de EKG qui peut se déplacer au centre de masse de plus près de votre main pour verser plus facilement



Schémas 1A

Bouton Principal

Un seul bouton pour tous faire fonctionnés. Réglez la température au degré prêts, démarrez le chronomètre d'infusion et mettez la bouilloire en marche/arrêt ici.

Écran LCD Haute Résolution

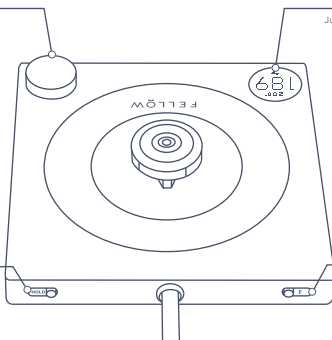
Juste pour vous préciser l'élégance de nos écran de bouilloire.

Commutateur HOLD (maintien)

Se distraire facilement? Voici une option pour maintenir votre température réglée pendant 60 minutes.

Commutateur de température Fahrenheit / Celsius

Juste pour préciser que c'est l'écran de bouilloire le plus élégant que nous ayons vu.



Schémas 1B

LISEZ TOUTES LES INSTRUCTIONS. NE PAS JETER CE MANUEL DE SÉCURITÉ.

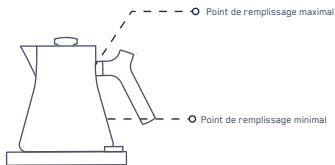
Mesures de sécurité importantes

Avant l'utilisation, veuillez lire attentivement ces consignes de sécurité et utiliser la bouilloire correctement. Ces consignes de sécurité sont indiquées pour une utilisation sûre et correcte de l'appareil, afin d'éviter tout danger vis-à-vis de l'utilisateur ou d'autres personnes et les dommages matériels.

Lors de l'utilisation des appareils électriques, des précautions élémentaires de sécurité doivent toujours être respectées, y compris les éléments suivants:

- La base de Corvo EKG électrique est petite et le corps de la bouilloire se ressemble étonnamment, mais ne vous y trompez pas, ils ne sont pas les mêmes! Ceci est une bouilloire électrique qui ne peut pas être utilisée sur un poêle.
- Ne pas placer sur ou près d'un brûleur à gaz chaud ou d'un brûleur électrique, dans un four chauffé ou dans un four à micro-ondes.
- Ne touchez pas les surfaces chaudes de l'équipement. Utilisez la poignée en tout temps.
- Pour protéger contre le feu, les chocs électriques et les blessures, ne pas immerger le cordon, la fiche ou toute autre partie de la bouilloire ou de la base dans de l'eau ou tout autre liquide.
- Ne laissez jamais Corvo EKG sans surveillance lors de son utilisation (y compris en mode HOLD). Une surveillance étroite est nécessaire quand un appareil est utilisé par ou à proximité des enfants. Ne pas utiliser à la portée de l'enfant.
- Cet appareil n'est pas conçu pour être utilisé par des personnes (y compris des enfants) ayant des capacités physiques, sensorielles ou mentales réduites, ou par manque d'expérience et de connaissances, à moins d'avoir été supervisé ou instruit par une personne responsable de leur sécurité. Les enfants doivent être surveillés pour s'assurer qu'ils ne jouent pas avec l'appareil.
- Débranchez la prise lorsque vous ne l'utilisez pas ou avant de la nettoyer. Laisser refroidir le bouilloire avant de mettre ou d'enlever des pièces pour un nettoyage.
- Pour vous déconnecter de la source d'alimentation, appuyez sur le bouton principal pour éteindre l'appareil puis retirez la fiche de la prise. Ne tirez pas sur le cordon lui-même car cela pourrait endommager le cordon et éventuellement provoquer un court-circuit électrique.
- Ne pas utiliser le Corvo EKG avec un cordon ou une prise endommagée (e), si vous avez fait une fausse manipulation avec la bouilloire ou si le produit a été endommagé de quelque manière que ce soit.
- Assurez-vous que votre tension d'alimentation principale est la même que celle indiquée sur le dessous de votre bouilloire - 120V.
- Pour éviter une surcharge électrique, ne faites pas fonctionner un autre appareil à haute puissance sur le même circuit.
- Les accessoires ne sont pas recommandés par Fellow, car ils peuvent provoquer un incendie, un court-circuit électrique ou des blessures corporelles.
- Ne pas utiliser à l'extérieur.
- Ne placez aucun ustensile dans la bouilloire.
- Après avoir déballé le Corvo EKG, jetez soigneusement les sacs en plastique pour que les enfants et les autres ne puissent pas les atteindre.

- Ne remplissez pas au-dessus du point de remplissage maximum indiqué dans le schéma ci-dessous. Ne remplissez pas au-dessus de ce point. Si la bouilloire est trop remplie, de l'eau chaude peut être éjectée. Voir les schémas 1C ci-dessous pour référence. Nous vous suggérons d'utiliser uniquement la quantité nécessaire pour économiser l'eau et l'énergie.



Schémas 1C

- Ne pas utiliser à sec ou au-dessous du point de remplissage minimum. Le faire bouillir à sec peut entraîner des dommages permanents et un incendie potentiel. Le point de remplissage minimum est un pouce au-dessus du sol de la bouilloire. Voir le schéma 1C ci-dessus pour référence.
- Un cordon d'alimentation court est fourni afin de réduire les risques de s'emmêler ou de trébucher sur un cordon plus long.
- Ne laissez pas le cordon pendre au bord de la table ou du comptoir, ni toucher des surfaces chaudes.
- N'utilisez pas de cordon d'alimentation détachable ou de rallonge plus long.
- Retirez la bouilloire de sa base avant de la remplir. Retirez toute l'humidité sur le fond de la bouilloire avant de la placer sur la base électrique.
- La bouilloire doit être utilisée sur une surface plane à l'écart du bord du comptoir pour éviter tout basculement accidentel.
- Ne déplacez jamais la base et la bouilloire pendant que l'appareil est utilisé.
- Pour éviter les brûlures et les risques de blessures, faites preuve d'une extrême prudence lorsque vous transportez une bouilloire contenant de l'eau chaude.
- N'utilisez pas la bouilloire si vos mains sont mouillées.
- Positionnez la bouilloire correctement sur la base d'alimentation avant de l'allumer.
- Utilisez la bouilloire uniquement avec la base d'alimentation fournie. N'utilisez aucune autre bouilloire sur la base livrée ou sur toute autre base avec une bouilloire livrée. Utilisez uniquement la paire d'origine livrée ensemble.
- Après avoir utilisé la bouilloire, attendez que la bouilloire soit refroidie avant de retirer le couvercle.
- Pour éviter d'éventuels dommages causés par la vapeur, éloignez le bec des murs ou des armoires pendant l'utilisation.
- Utilisez un coussin de protection sous la bouilloire après avoir été chauffé pour éviter d'endommager les surfaces.
- Pour réduire les risques d'incendie ou d'électrocution, ne retirez pas le couvercle inférieur de la base ou ne démontez pas la base ou la bouilloire. Il n'y a pas de pièces réparables par l'utilisateur à l'intérieur. Les réparations doivent être effectuées uniquement par du personnel de service autorisé. L'ouverture de la base ou de la bouilloire entraînera l'annulation de la garantie d'un an.

- Ne pas utiliser en présence de vapeurs explosives et/ou inflammables.
- Ne pas utiliser pour un usage autre que prévu. Cet appareil est destiné à un usage domestique et commercial uniquement. L'utilisation pour autre chose que l'usage prévu annulera la garantie d'un an.
- **POUR PREVENIR LES BRULURES ;**
 - Ne jamais utiliser la bouilloire sans son couvercle.
 - Ne pas retirer le couvercle pendant que la bouilloire est en ébullition.
 - L'échaudage peut se produire si le couvercle est retiré pendant les cycles d'infusion.
 - Pensez que de la vapeur est émise par le bec ou le couvercle, surtout pendant le remplissage.
 - L'eau peut rester chaude longtemps après l'ébullition et peut présenter un risque de brûlure. Gardez la bouilloire et la base de la bouilloire éloignées du bord de la surface de travail et hors de la portée des enfants. Ne retirez pas le couvercle avant que la bouilloire ne refroidisse.
- **PRISE DE MISE À LA TERRE:** Cet appareil est doté d'une fiche à trois broches mise à la terre et doit être mis à la terre avec une prise à trois broches pendant son utilisation. Pour assurer une protection contre les risques d'électrocution ou d'incendie, connectez uniquement à des prises correctement mises à la terre. Ne tentez pas de contourner ce dispositif de sécurité.
- **NE PAS CHAUFFER UNE BOUILLOIRE VIDE:** L'élément chauffant dissimulé dans la partie inférieure de la bouilloire est protégé par un dispositif de sécurité automatique. Si votre bouilloire est accidentellement chauffée sans être remplie ou si elle est laissée bouillir à sec, elle refroidira automatiquement puis s'éteindra. Si cela se produit, débranchez la bouilloire, remplissez-le avec de l'eau froide et attendez quelques minutes avant de le replacer sur la base et de le brancher.
- Enregistrez ces instructions.

Consignes d'utilisation

Veuillez lire toutes les instructions d'utilisation avant d'allumer et d'utiliser votre bouilloire.

Nettoyage à la première utilisation

- Placez la base et la bouilloire Corvo EKG sur une surface plane.
- Retirer le couvercle du Corvo EKG pour ajouter de l'eau. Ne pas retirer le couvercle s'il est chaud.
- Après avoir ajouté de l'eau, insérez le couvercle et assurez-vous que le bec n'est pas à proximité ou face à un mur ou à une armoire.
- Branchez le cordon d'alimentation dans la prise murale - assurez-vous de suivre les consignes de sécurité ci-dessus.
- Pour la PREMIÈRE UTILISATION, rincer l'intérieur de la bouilloire et ensuite faire bouillir une petite quantité d'eau (à peu près à mi-chemin de la ligne «remplissage maximum» du schéma 1C). Assurez-vous de remplir au moins le point de remplissage minimum du schéma 1C.
- Réglez la température de l'objectif à 212 degrés Fahrenheit ou 100 degrés Celsius pour faire bouillir l'eau de nettoyage.
- Faire bouillir l'eau pendant une minute, puis éteindre la bouilloire.
- Jeter l'eau initialement bouillie; cette eau ne devrait pas être consommée. Votre Corvo EKG est maintenant prêt à être utilisé.

Allumer / éteindre la bouilloire

Pour activer Corvo EKG, appuyez sur le bouton principal et attendez que l'écran LCD s'allume. Pour désactiver Corvo EKG, appuyez sur le bouton et attendez que l'écran LCD devienne noir.

Sélectionner le réglage de la température d'affichage

Choisissez votre réglage de température préféré en Fahrenheit ou Celsius en changeant la température à l'arrière de la base. Voir le schéma 1D pour référence.

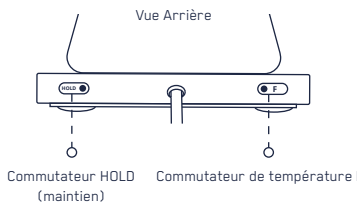


Schéma 1D

Fixer une température désirée

- Tournez le bouton principal dans le sens des aiguilles d'une montre pour augmenter la température REGLER. L'écran LCD affichera les options de température (numériques) à mesure que vous tournez.
- Une fois arrivé à la température désirée, arrêtez de tourner le bouton. Corvo EKG affichera cette température SET pendant une seconde.
- Sur l'écran LCD du Corvo EKG, F ou C se met à clignoter, indiquant que la bouilloire chauffe à la température désirée.

Activer le mode HOLD

Le mode HOLD de Corvo EKG permet à la bouilloire d'atteindre la température REGLER désirée et de maintenir cette température REGLER pendant 60 minutes. Ceci est un paramètre facultatif. Voir le schéma 1D pour référence.

- Pour activer le mode HOLD, basculez l'interrupteur de maintien situé à l'arrière de la base de manière à afficher «HOLD». L'écran clignotera «HOLD ON» pendant une seconde.
- Lorsque Corvo EKG est en mode d'attente, «HOLD» apparaît en haut de l'écran LCD lorsque votre température SET est atteinte. Cela indique que la bouilloire est en mode attente. Voir le schéma 1E pour référence.

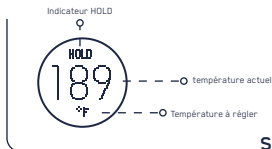


Schéma 1E

- Une fois en mode HOLD, définissez la température désirée avec les étapes ci-dessus (dans «Définir une température désirée»).
- Si vous retirez votre bouilloire de la base et que vous la ramenez à la base, Corvo EKG réinitialisera le maintien de 60 minutes et continuera à chauffer votre eau.

- Une fois les 60 minutes se sont écoulées sans retirer la bouilloire de la base, Corvo EKG se mettra en attente pendant 15 minutes, puis s'éteindra.
- Pour désactiver le mode HOLD, basculez le commutateur de sorte que la bascule soit vide.
- Lorsqu'elle n'est PAS dans le mode HOLD dans le 60 minutes à venir, la bouilloire ne maintiendra la température de but que pendant 5 minutes.

Initiez le chronomètre d'infusion

- Corvo EKG est livré avec un Chronomètre d'infusion intégré pour garder une trace de votre temps d'infusion. Pour démarrer le chronomètre, maintenez le bouton principal enfoncé pendant 2 secondes.
- L'écran LCD commence un compte à rebours de 3 secondes en vous donnant le temps de vous préparer à verser.
- Après le compte à rebours, le chronomètre d'infusion commencera à compter les secondes.
- Pour désactiver le chronomètre et retourner à l'écran principal, cliquez une fois sur le bouton principal.

Utilisation en haute altitude

En haute altitude, l'eau bouillira à une température inférieure. Au niveau de la mer, l'eau bout à 100 ° C. Pour chaque gain d'altitude de 500 pieds / 152 mètres, le point d'ébullition de l'eau diminue d'env. 0,9 ° F / 0,5 ° C. Veuillez utiliser le tableau suivant pour savoir quand votre bouilloire est en ébullition:

TABLEAU DE HAUTE ALTITUDE

ALTITUDE, pieds (m)	TEMPERATURE D'ÉBULLITION DE L'EAU, ° F (° C)
0 pieds (0 m)	212° F (100° C)
500 pieds (150 m)	211.1° F (99.5° C)
1,000 pieds (305 m)	210.2° F (99° C)
2,000 pieds (610 m)	208.4° F (98° C)
5,000 pieds (1524 m)	203° F (95° C)
6,000 pieds (1829 m)	201.1° F (94° C)
8,000 pieds (2438 m)	197.4° F (91.9° C)
10,000 pieds (3048 m)	193.6° F (89.8° C)
12,000 pieds (3658 m)	189.8° F (87.6° C)
14,000 pieds (4267 m)	185.9° F (85.5° C)

Températures optimales d'infusion

Suivez notre tableau ci-dessous pour utiliser les températures optimales d'infusion pour le café, le thé et les autres boissons chaudes. Veuillez noter que le thé a un large éventail de types, les températures de trempage du thé ci-dessous sont des directives de base. Si votre thé est accompagné d'instructions de préparation, nous vous recommandons de suivre leurs instructions.

Tableau de Températures optimales d'infusion

CAFE	195 - 205° F (90 - 96° C)
THÉ VERT / BLANC	170 - 200° F (76 - 93° C)
THÉ OOLONG	185 - 200° F (85 - 93° C)
THÉ HERBAL / NOIR	200 - 212° F (85 - 100° C)
CACAO CHAUD / CIDRE	190° F (88° C)

Comment évaluer le Thé + Café



Arôme

Qu'est-ce que vous sentez ? Cherchez un bouquet subtil d'herbes, de fruits, de fleurs et d'autres odeurs. L'arôme peut vous aider à identifier la fraîcheur et la qualité globale, et est un moyen sournois d'identifier les défauts ou les arrière-goûts désagréables dans les feuilles.



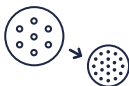
Aigreur

À ne pas confondre avec l'acidité, qui peut être un défaut du café, l'aigreur est une brillance qui peut donner la vie au thé et au café ! Recherchez la douceur et la délicatesse croustillante de nombreux grands thés et cafés. Pour le café, en général, les grains torréfiés foncés seront moins amer.



Douceur

Votre thé ou café est super sucré ou seulement subtil? Est-ce que la douceur ressemble à celle du caramel, des bonbons durs ou des pêches?



Sensation

Le poids, ou la sensation, peut être considéré comme le poids du thé et du café (pour simplifier, pensez au lait écrémé par rapport à du 2% par rapport au lait entier). La sensation en bouche de votre boisson est-elle légère et soyeuse, lourde et riche ou légère et sans vie?



Saveur

La saveur tente d'identifier des goûts spécifiques. Floral, fruits, tabac, vin, noisette, terre, épices et fumée ne sont que quelques-unes des nombreuses façons de décrire le thé et le café. Que pouvez-vous identifier?



Finition

Qu'est-ce qui s'attarde après avoir bu est consommé? De grands thés et cafés restent sur la langue même après la consommation du breuvage. Cherchez la douceur et les saveurs agréables.

Nettoyage Rangement

Nettoyage

- Avant de nettoyer, assurez-vous de débrancher la base de vérifier que la bouilloire est complètement refroidie. Videz la bouilloire.
- Laver l'intérieur de la bouilloire avec de l'eau savonneuse puis rincer. **NE JAMAIS PLONGER DANS DE L'EAU OU TOUT AUTRE TYPE DE LIQUIDE LA BOUILLLORE.**
- Ne la laissez pas dans un lave-vaisselle.
- Essuyez l'extérieur de la bouilloire et la base avec un chiffon humide ou une éponge puis séchez le. N'utilisez pas de savon abrasif, de nettoyant ou de tampon à récurer sur une partie de la marmite car cela peut endommager la finition.
- Au fil du temps, la bouilloire peut chauffer mais ne peut pas faire bouillir; Cela peut être dû à la formation de calcaire et aux dépôts de minéraux qui peuvent s'accumuler dans la bouilloire en fonction de votre utilisation et de la dureté de l'eau dans votre région. Lorsque cela se produit, il est temps de détartrer. Utilisez un détartrant /décapant à la chaux et suivez les instructions du fabricant.

Rangement

- Nettoyez et séchez toutes les pièces avant de les ranger. Rangez la bouilloire dans sa boîte ou dans un endroit propre et sec.
- Ne jamais enrouler le cordon d'alimentation autour de la bouilloire.

Service ou Réparation

Pour le service, la réparation ou toute question concernant votre appareil, visitez d'abord le site Fellowproducts.com/EKGmanual. Si vous avez encore des questions, contactez-nous à hello@fellowproducts.com. **NE JAMAIS retourner le produit au fabricant ou le rapporter à un centre de service sans en avoir d'abord discuté à un de nos représentants du service clientèle.**

GARANTIE D'UN AN

Fellow garantit ce produit contre tout défaut dû à un défaut de matériau ou de fabrication pendant une période d'un an après la date d'achat initiale du consommateur.

Cette garantie est valable uniquement pour:

- L'acheteur original
- Lorsque la bouilloire est achetée chez des détaillants autorisés.
- Avec le reçu de vente original pour faire une preuve d'achat pour que votre garantie soit valide.

Cette garantie ne couvre pas les dommages au produit résultant de:

- Accident, mauvaise manipulation ou à des réparations effectuées par un personnel non autorisé.
- Fonctionnement avec le mauvais type de courant ou de tension.
- Défaillance lors de non-respect des instructions de nettoyage à la fois la bouilloire et agents de nettoyage/détartrage.
- Défaillance lors du non-respect des mesures de protection énumérées dans les avertissements et manuel de ce document.

Si le produit devient défectueux pendant la période de garantie ou si vous avez des questions concernant la garantie ou le service, envoyez-nous un e-mail à hello@fellowproducts.com

Félicitations pour l'avoir rendu aussi loin! Est-ce que vous appréciez les surprises autant que nous le faisons? Nous espérons.

Le logiciel de Corvo EKG contient un œuf de Pâques. Vous avez 2 astuces pour le trouver:

- La poule doit quitter le nid.
- Il faut traverser la ferme et retourner pour déclencher l'œuf.



More info at Fellowproducts.com/corvomanual

Pour plus d'informations, visitez le site Fellowproducts.com/corvomanual