



THE IMPACT SPEAKER

<https://rayconglobal.com>

CONTENTS

INTRODUCTION	01
OVERVIEW (FEATURES)	02
WHAT'S IN THE BOX	03
UNIT AT A GLANCE	04
Top Side	04
Back Side	05
FUNCTIONS	06
USING YOUR SPEAKER	07
Connecting via Bluetooth	07
Charging Your Device	08
LED Status	09
Resetting Device	10
ADVANCED FEATURES	11
Multi-Link	11
Mounting Configurations	12
SUPPORT	13
SAFETY & WARRANTY	14
COMPLIANCE & REGULATORY INFORMATION	15

INTRODUCTION

Introducing your new Impact Speaker— an audio companion as strong as you are.

At Raycon, we believe in creating innovative tech designed to embrace and empower your every day. We've teamed up with expert engineers, leading taste-makers, and platinum artists to design wireless audio you'll love to use and every day tech that can take whatever life throws your way. We believe in the early risers and the one-more-milers of the world. Premium audio, inspired by you.

To get the most out of your Impact Speaker, we strongly encourage you to fully read through this user guide. You can also visit our support center at www.rayconglobal.com/support. This web page has more specific guidelines and helpful videos for you to navigate your product. For best performance, charge fully before first use.

FEATURES AT A GLANCE ---

DURABLE

MIL-STD-810 certified, IP67 rated

- Built to last, we put our Impact Speaker to the test. Evaluated to meet the MIL-STD-810 US Military defense standard for product readiness for harsh or extreme environments. With an IP67 rating making it water resistant and safeguarded against dust and sand, the Impact speaker can take whatever life throws at you.

PORTABLE

15 hour battery life (at 50% volume) and versatile mounting

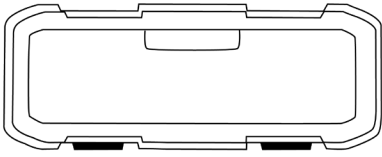
- Be ready for anything, anywhere. Mount the Impact speaker on your bike, on the wall, on a tripod with the ¼"- 20 threaded opening, compatible with most mounting accessories. No mount? No problem! Strong magnets embedded in the bottom of the speaker allow you to mount it on any magnetic surface. With a 15 hour battery life, you don't have to worry about charging cables and wall-plugs tying you down.

ADAPTABLE

Multi-Link, Built-in Microphone, AUX & SIM Card Mode

- Make your audio experience meet your needs. Use Multi-Link to create a larger, more immersive sound system. Have an impromptu team meeting using the built-in microphone. Listen the way you want to through a wired AUX connection or SD card. The Impact Speaker is as versatile as you are.

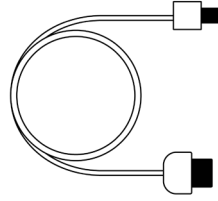
WHAT'S IN THE BOX



1



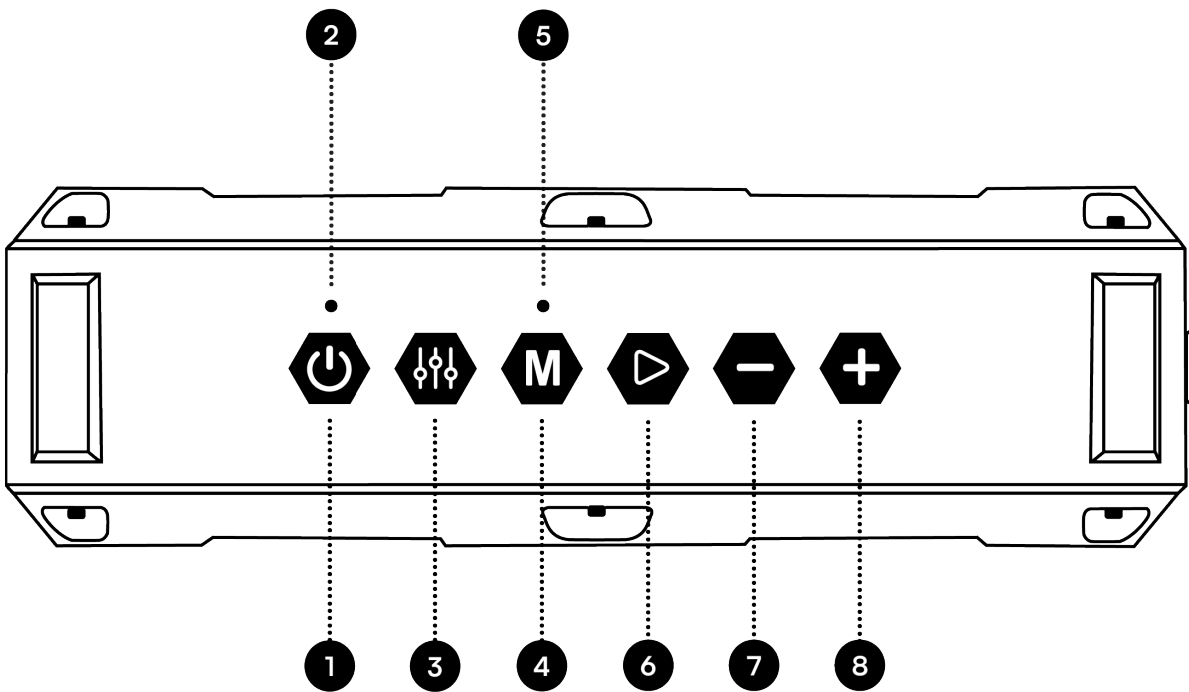
2



3

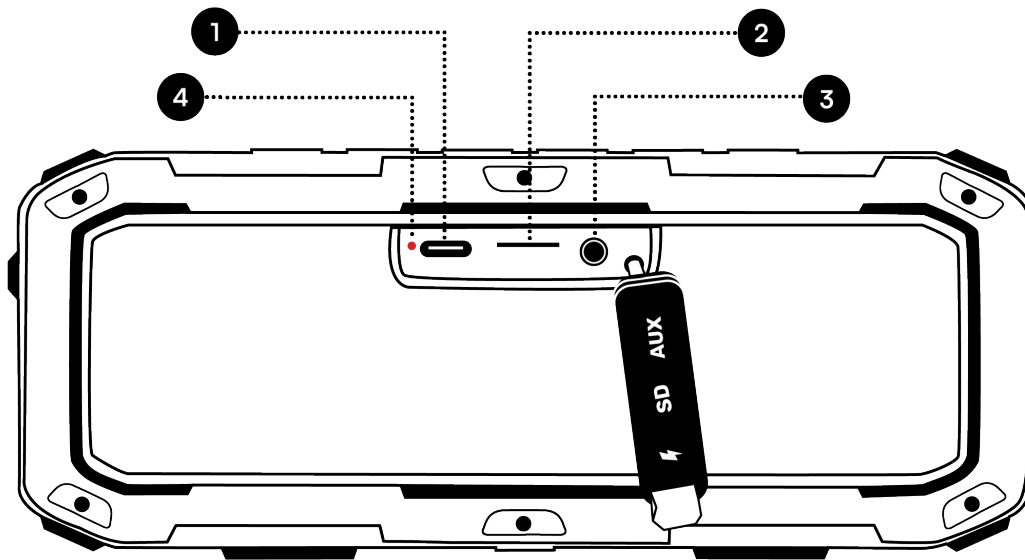
1. The Impact Speaker
2. Quick Start Guide & Compliance Booklet
3. USB to USB-C Charging Cable

UNIT AT A GLANCE - TOP



1. Power Button
2. Battery / Status Indicator
3. Equalizer Button
4. Mode Button
5. Multi-Link Indicator
6. Play Button
7. Volume Down Button
8. Volume Up Button

UNIT AT A GLANCE - BACK



- 1. USB-C Charging Port
- 2. SD Card Slot
- 3. AUX Port
- 4. Charging Indicator

FUNCTIONS



1. POWER CONTROLS |

- Power on *Hold for 1.5 Seconds*
- Power off *Hold for 3 Seconds*

2. EQUALIZER CONTROLS |

- Balanced Sound *Tap Once*
- Bass Sound *Tap Once*
- Pure Sound *Tap Once*

3. VOICE COMMAND / RE-PAIRING |

- Voice Command *Tap Twice*
- Pairing Mode *Hold for 1.5s*

4. PLAYBACK CONTROLS |

- Play/Pause *Tap Once*
- Skip Track *Tap Twice*
- Previous Track *Tap 3 times*

5. CALL CONTROLS |

- Answer Call *Tap Once*
- Reject Call *Hold for 1.5 Seconds*
(While receiving a call)
- End call *Tap Once*

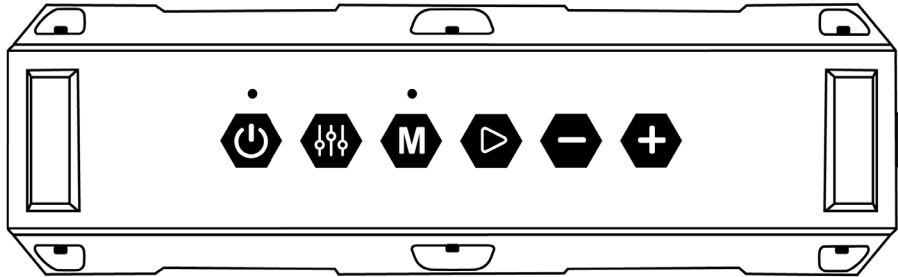
6. VOLUME CONTROLS |

- Volume Up *Tap Once*
- Volume Down *Tap Once*

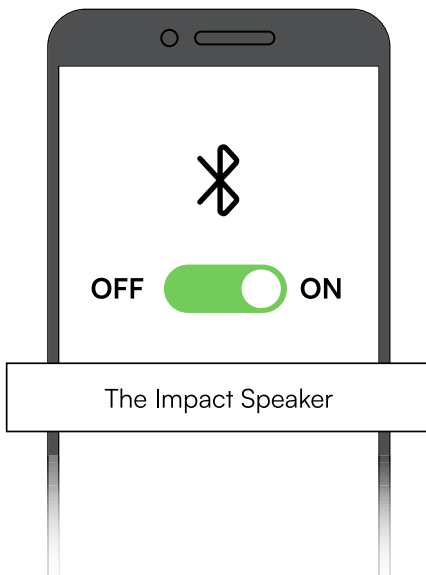
USING YOUR SPEAKER

CONNECTING VIA BLUETOOTH

1. Hold “⏻” for 1.5 Seconds. Speaker will enter pairing mode automatically.

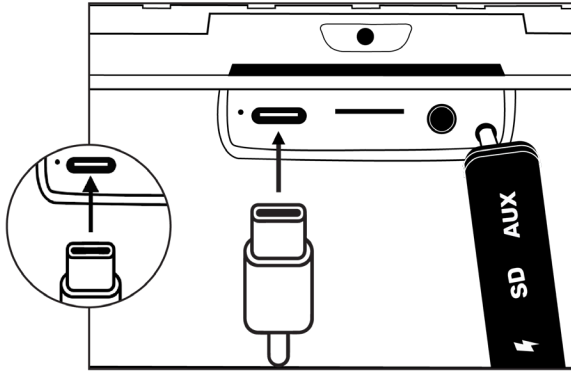


2. From the source device, go to Bluetooth settings and ensure Bluetooth is on. Search for “The Impact Speaker” and select it to pair.

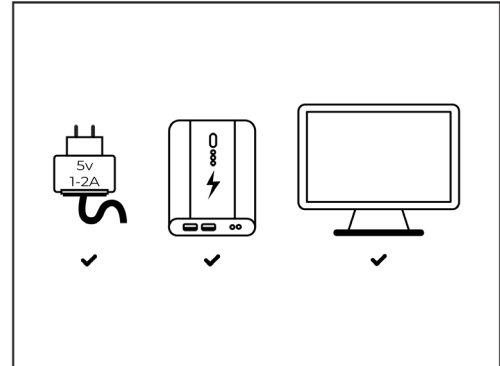


CHARGING YOUR DEVICE

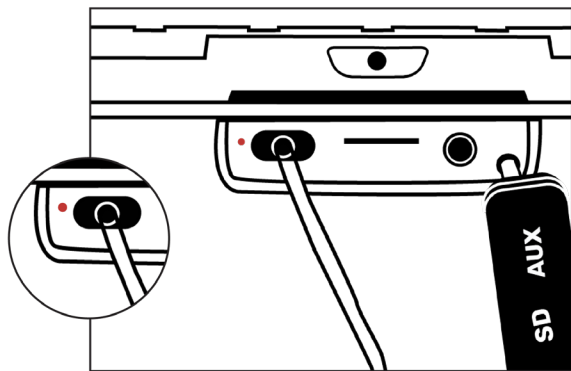
1. Plug the USB-C end into the port



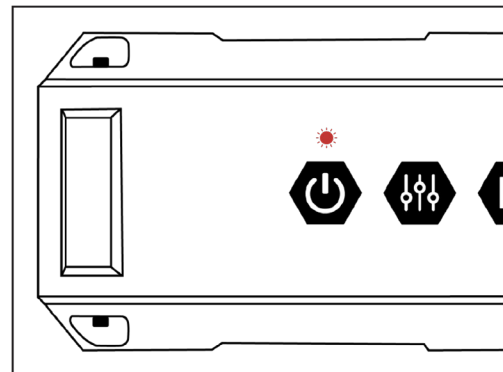
2. Connect the other end of the USB cable into a wall charger, computer, or a power bank (2.4 amp minimum)



3. The indicator light near the port will glow red until fully charged







4. Note: When the Battery is low, a sound prompt will play, followed by a blinking red light





5. Allow up 3 hours to fully charge. The Impact Speaker can last up to 15 hours on a single charge!

LED STATUS ---

⏻ LED

LED INDICATION	STATUS	MEANING
	Solid Blue Light	Speaker is connected to a device
	Alternating Blue & Red Lights	Speaker is in pairing mode
	Solid Red Light (2 seconds) then off	Shutting down
	Blinking Red Light	Battery is low

“M” LED

LED INDICATION	STATUS	MEANING
	Blinking White Light above “M” button	Multi-Link Pairing mode
	Solid White Light above “M” button	Multi-Link mode is active (2 speakers connected)

RESETTING DEVICE ---

SOFT RESET:

1. **TURN OFF:** Press and Hold Power Button for **3 seconds** (Red Light will appear above Power Button for 2.5 seconds)
2. **TURN ON:** Press and Hold the Power Button for 1.5 seconds (Blue Light will appear above Power Button for 2.5 seconds)

HARD RESET:

1. While the speaker is On: Press and Hold Power Button for approximately 10-15 seconds
 - Speaker will power down after approximately 3 seconds but continue to hold down Power Button
 - The Red LED will appear above the Power button even after shutting down.
2. Continue to hold until the speaker restarts and turns back on
 - Red light will disappear for 1 second before restarting
 - Wait until you hear the “Power On” Sound prompt / the Blue light to appear

ADVANCED FEATURES ---

MULTI-LINK

WHAT IS MULTI-LINK?

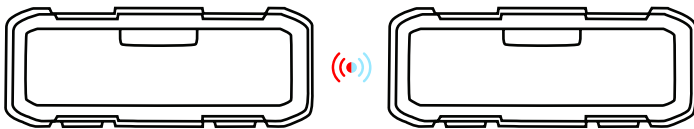
Multi-link can be used to tailor your audio experience to your specific needs and preferences. Using Bluetooth, you can wirelessly connect an additional Impact Speaker and play audio simultaneously to create a larger, more immersive sound system.

Once linked, you can control the speakers as a group, adjusting the volume and other settings for all speakers to allow for a more flexible and customizable speaker setup.

HOW DO YOU LINK SPEAKERS?

STEP 1

First unpair any connected devices from both speakers (enter Pairing mode)



STEP 2

Hold Play on One Speaker



STEP 3

White LED above the Mode Button "M" will start to blink while trying to connect



STEP 4

Once connected, the White LED will turn solid on both speakers

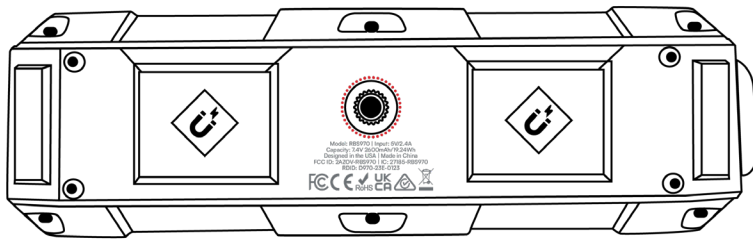


MOUNTING CONFIGURATIONS

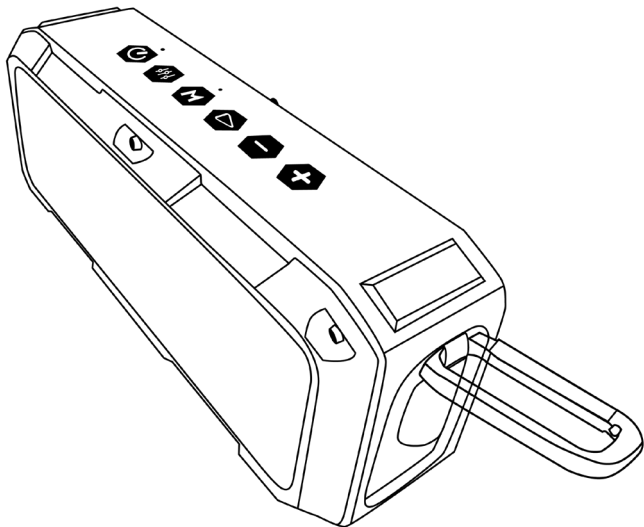
1. The Neodymium Magnets on the base can mount onto any magnetic metals
NOTE: Be careful of placing the Impact Speaker near other electronics that are sensitive to magnets



2. 1/4"-20 Base mount:
Can be used to thread any 1/4"-20 standard accessory to the speaker for maximum mounting potential.
 - Examples: Think bike mounts, wall mounts, and more



3. Clip onto anything and everywhere - the carabiner can hook onto wherever you need it to



TROUBLESHOOTING / FAQ _____

BLUETOOTH CONNECTION / SOUND INTERFERENCE?

- Ensure speaker is within 10 meters (33 feet) of connected Bluetooth device
- Check the battery level: If the battery level of either the speaker or your connected device is low, it can cause the connection to be weak or to drop.

SPEAKER WILL NOT TURN ON?

- Charge the speaker: Make sure the speaker is fully charged by plugging it into a power source using the provided charger cable.
- Check the Power Button: Make sure the Power Button on the speaker is not stuck or broken. Press the Power Button firmly to ensure it is engaging.
- Reset the speaker: Follow the Reset Instructions in this user manual to reset the speaker.

MULTI-LINK IS NOT WORKING?

- Confirm both speakers are charged, powered on, and they are both disconnected from any Bluetooth device and in Pairing Mode.
- Be sure to use only one speaker as the parent device by holding the Play Button on just one speaker.
- Ensure both speakers are in close proximity of each other.

HOW DO I USE THE SIM CARD MODE?

- First, disconnect the speaker from any previously connected devices
- Insert a SIM Card into the back of the Speaker
- Speaker will automatically switch into “TF Mode”
- When successful, a blinking blue LED will appear above the Power mode indicating a successful operation and start to play your media files

HOW LONG DOES IT TAKE CHARGE THE SPEAKER?

- It takes approximately 3 hours to fully charge the Impact Speaker from 0%.

HOW LONG DOES THE SPEAKER LAST?

- Enjoy epic sounds for 15 hours at 50% Volume

HOW DO I KNOW IF THE BATTERY IS LOW?

- When the speaker’s battery has 30 minutes left of playtime, the low battery prompt will begin to broadcast, and the low battery prompt tone will be played every 10 minutes.

SAFETY & WARRANTY ---

SAFETY GUIDELINES

- Be wary of any edges, uneven surfaces, and metal parts, including on accessories and product packaging, to prevent any possible injury or damage.
- Listen to music at proper volume to avoid damaging your hearing and speaker
- Do not store in high temperatures, such as in a hot vehicle or in direct sunlight
- Store in cool and dry area
- Do no modify, repair, or dismantle the product on your own
- Ensure all port covers are securely closed if exposing speaker to liquid, and do not expose speaker and any of its supplied parts to liquid such as rain for prolonged periods of time. Please see IP67-Rating for more information
- Do not expose the speaker to water while charging, as doing so may result in damage to the speaker or the power source
- When cleaning this speaker, use a soft dry cloth. For more severe stains, dampen the cloth with water only. Anything else increases the chance of dissolving the paint or damaging the plastic

SUPPORT

If your device is not functioning properly, please visit www.rayconglobal.com/support for customer support, and we will be more than happy to help you.

LIMITED WARRANTY

Your Impact Speaker is covered by a limited warranty. Please visit our website at www.rayconglobal.com/warranty for more details.

PRODUCT SPECIFICATIONS

Pairing ID: The Impact Speaker
RDID: D970-23E-0123
Bluetooth Version: 5.2
Power Input: DC 5V/1.8A
Charging Time: About 3 hours
Call/Play Time: About 15 hours at 50% volume
Speaker Size: 47 mm
Speaker Power: 20W
Battery Capacity: 2600mAh
Weight: About 1730g
Product Size: 182 (L) x 56 (W) x 74 (H) mm
Bluetooth Operating Range: ≤ 10m

COMPLIANCE & REGULATORY INFORMATION ---

FCC WARNING

This device complies with Part 15 of the FCC Rules. Operation is subject to the following two conditions:

- This device may not cause harmful interference, and
- The device must accept any interference received, including interference that may cause undesired operation. Any changes or modifications not expressly approved by the party responsible for compliance could void the user's authority to operate the device.

NOTE: This equipment has been tested and found to comply with the limits for a Class B digital device, pursuant to Part 15 of the FCC Rules. Those limits are designed to provide reasonable protection against harmful interference in a residential installation. This equipment generates, uses, and can radiate radio frequency energy and, if not installed and used in accordance with the instructions, may cause harmful interference to radio communications. However, there is no guarantee that interference will not occur in a particular installation.

If this equipment does cause harmful interference to radio or television reception, which can be determined by turning the equipment off and on, the user is encouraged to try to correct the interference by one or more of the following measures.

- Reorient or relocate the receiving antenna.
- Increase the separation between the equipment and receiver.
- Connect the equipment into an outlet on a circuit on a circuit different from that to which the receiver is connected.
- Consult the dealer on an experienced radio/TV technician for help. The device has been evaluated to meet general RF exposure statements. The device can be used in portable exposure conduction without restriction.

IC WARNING

This device contains license-exempt transmitter(s)/receiver(s) that complies with Innovation, Science and Economic Development Canada's licence-exempt RSS(s). Operation is subject to the following two conditions:

- This device may not cause interference.
- This device must accept any interference, including interference that may cause undesired operation of the device.

RF EXPOSURE STATEMENT:

The device has been evaluated to meet general RF exposure requirement. The device can be used in portable exposure condition without restriction.