



INTRODUCTION

Welcome to your new Raycon Everyday Headphones! At Raycon, we develop and design innovative electronics so you can move and conquer your daily fast-paced life. Before using your product, we strongly encourage you to fully read through this user manual. You can also visit our support center at www.rayconglobal.com/support. The web page has more specific guidelines and videos to help you navigate your product. For best performance, charge fully before first use.

Pairing ID: The Everyday Headphones

QUICK START GUIDE

1. Hold **U**, for about 3 seconds to power on. Headphones will enter pairing mode automatically.

2. From the source device, go to Bluetooth settings and ensure Bluetooth is on. Search for "The Everyday Headphones" and select it to pair.

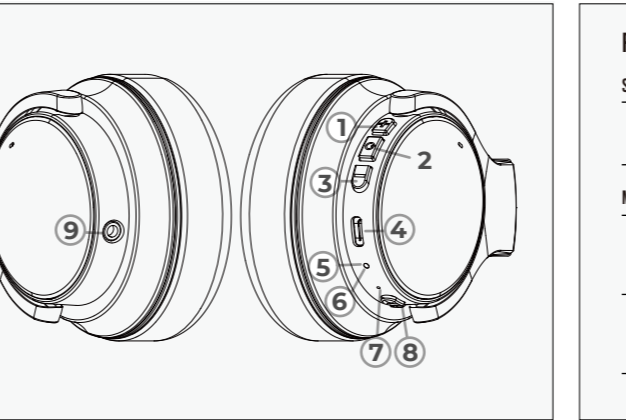
3. Enjoy your Raycon Everyday Headphones!

UNIT AT A GLANCE

1. Volume Up/Next	6. Microphone
2. Power On/Off	7. ANC/Awareness Mode/ Sound Profiles
3. Volume Down/Previous	8. AUX-In
4. Charging Port	
5. LED Indicator	

INCLUDED

- Raycon Everyday Headphones
- 3.5 mm Audio Cable
- User Manual
- USB Charging Cable



FUNCTIONS

SWITCH CONTROL

U	Power on	Hold for 3 seconds
U	Power off	Hold for 3 seconds

MEDIA PLAYER CONTROL

U	Play	Press
U	Pause	Press
+	Volume Up	Press
+	Next	Hold for 2 seconds

PHONE CALL CONTROL

U	Answer a call	Press
U	End a call	Press
U	Reject a call	Hold for 2 seconds
U	Redial the last number	Press 2 times

AWARENESS & ANC MODE

Awareness Mode Hear what's happening around you.

Active Noise Cancelling (ANC) Mode Focus and block out unwanted noise.

ANC CONTROL

NC	ANC On	Press
NC	Awareness On/Off	Press

SOUND PROFILES

Balanced Sound A leveled sound that is great for all around performance and clarity.

Bass Sound Our bass boosted sound, great for songs with strong beats and a go-to for bass lovers.

Pure Sound Our most refined sound, perfect for hearing every single note.

TOGGLE BETWEEN SOUND PROFILES

NC	Balanced Sound	Hold for 1.5 seconds
NC	Bass Sound	Hold for 1.5 seconds
NC	Pure Sound	Hold for 1.5 seconds

CLEAR PAIRED DEVICES

Clear paired devices Hold **U** and **—** buttons for 5 seconds when powered on to clear paired devices.

TROUBLESHOOTING

Cannot power on Check that the battery is fully charged before using the device.

No sound when connected to a device via Bluetooth

- Check the volume and play/pause button functions on the device and headphones to ensure that the Bluetooth connection is set up correctly.
- Before connecting the headphones, test the playback of the file on your Bluetooth device.
- Ensure that no other Bluetooth devices interfere with the current Bluetooth connection.

No sound when connected to an external device by 3.5mm audio AUX cable

- Check the volume level of the connected device and the headphones, check the play/pause button on the connected device, and ensure that the line connecting the device and the headphones is intact and securely connected.
- Before connecting the headphones, test the playback of the file on your source device.

FAQ & ADDITIONAL RESOURCES

For frequently asked questions about your device, simply go to www.rayconglobal.com/support.

Select your product to find additional resources on how to operate your product, including helpful tips and videos.

SUPPORT

If your device is not functioning correctly, simply go to www.rayconglobal.com/support for customer support, and we will be more than happy to help you.

LIMITED WARRANTY

For more information and instructions on how to get warranty service, visit www.rayconglobal.com/warranty.

SAFETY GUIDELINES

Please follow the safety guidelines below at all times when operating or caring for your device.

- Be wary of any edges, uneven surfaces, and metal parts, including on accessories and product packaging, to prevent any possible injury or damage.
- Listen to music at a proper volume to avoid damaging your hearing and headphones.
- Do not store in high temperatures, such as in a hot vehicle or in direct sunlight.
- Do not expose the headphones or any of its supplied parts to rain or other liquids.
- Do not drop or cause undue impact to the headphones.
- Do not modify, repair, or dismantle the product on your own.
- Do not use any dilutant or volatile liquid to clean the product.
- Do not use the product in a hazardous location.

SPECIFICATIONS

Model: RBH820
 Pairing Name: The Everyday Headphones
 RDID: D820-Q321
 Bluetooth Version: 5.0
 Power Input: DC 5V /1A
 Li-battery Capability: 500mAh
 Bluetooth Playtime: About 22 hours
 Noise Cancelling Playtime: About 60 hours
 Charging Time: About 2 hours
 Support Profile: A2DP /AVRCP /HFP /HSP
 Frequency Response: 20Hz-20KHz
 Noise Reduction Parameters: 28 ±2dB
 Bluetooth Operating Range: ± 10 m

FCC WARNING

This device complies with part 15 of the FCC Rules. Operation is subject to the following two conditions: (1) this device may not cause harmful interference, and (2) this device must accept any interference received, including interference that may cause undesired operation. Any changes or modifications not expressly approved by the party responsible for compliance could void the user's authority to operate the equipment.

NOTE: This equipment has been tested and found to comply with the limits for a Class B digital device, pursuant to Part 15 of the FCC Rules. These limits are designed to provide reasonable protection against harmful interference in a residential installation. This equipment generates, uses, and

can radiate radio frequency energy and, if not installed and used in accordance with the instructions, may cause harmful interference to radio communications. However, there is no guarantee that interference will not occur in a particular installation.

If this equipment does cause harmful interference to radio or television reception, which can be determined by turning the equipment off and on, the user is encouraged to try to correct the interference by one or more of the following measures:

- Reorient or relocate the receiving antenna.
- Increase the separation between the equipment and receiver.

- Connect the equipment into an outlet on a circuit different from that to which the receiver is connected.
- Consult the dealer or an experienced radio/TV technician for help. The device has been evaluated to meet general RF exposure statement. The device can be used in portable exposure condition without restriction

IC CAUTION:

- English: This device complies with Industry Canada licence-exempt RSS standard(s). Operation is subject to the following two conditions: (1) This device may not cause interference, and

(2) This device must accept any interference, including interference that may cause undesired operation of the device.

- French: Le présent appareil est conforme aux CNR d'Industrie Canada applicables aux appareils radio exempts de licence. L'exploitation est autorisée aux deux conditions suivantes: (1) l'appareil ne doit pas produire de brouillage, et (2) l'utilisateur de l'appareil doit accepter tout brouillage radioélectrique subi, même si le brouillage est susceptible d'en compromettre le fonctionnement.

FCC ID: 2AZOV-RBH820
IC: 27185-RBH820

