

# Platinum Stage<sup>TM</sup> Instruction Manual



**Call Us Toll Free 866.85.Poles**  
**[www.PlatinumStages.com](http://www.PlatinumStages.com)**

# PLATINUM STAGE™

## Hardware List

8 x 5" Bolts



16 x 1 3/4" Bolts



14 x pcs  
Screws



Leveling  
Feet x 5



48 x pcs  
Washers



14 x pcs  
Washers



24 x pcs  
Nuts

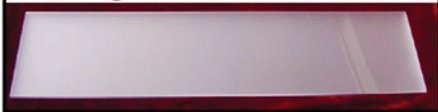


(Optional Accessories)

Chrome Corner Plates x 4



Stage Side Panels x4



## Tools Needed

2 x 9/16" Wrench 

Phillips Screw Driver 

**Note:** Hardware and Chrome Corner Plates are mailed in pole tube.

DOM



Velcro and  
Sticky Pads



Black Rubber  
Corners  
x4



2 piece pole



I-Beam Supports 12" x 4



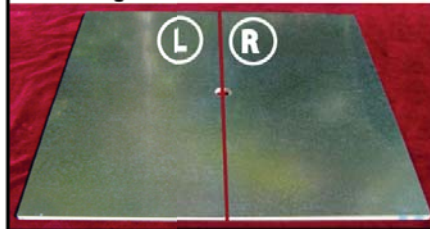
Locking Pins



Black Plastic Moldings x 4



Stage Surface Panels x2



Bottom x2



Top x2

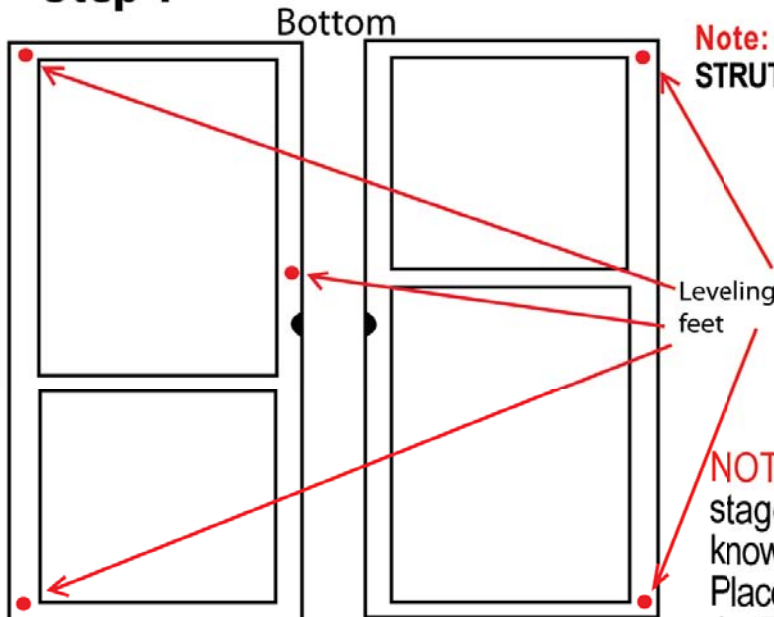


# PLATINUM STAGE™

**Note:** If you ordered Quick Release Bolts (OPTIONAL), 6 Bolts will replace the 5" Bolts in step 5.

★ Refer to Quick Release Insert.

## Step 1

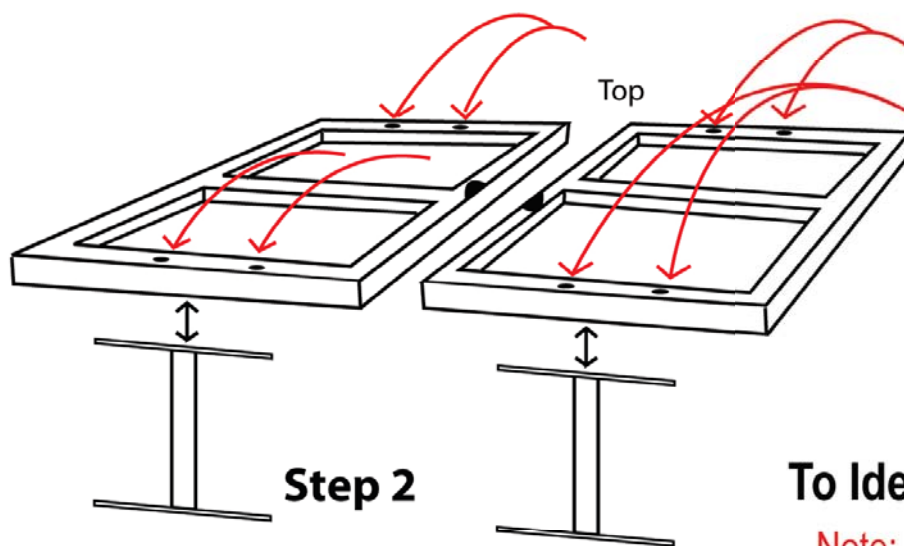


**Note:** MAKE SURE CROSS MEMBER STRUTS ARE OPPOSITE OF EACH OTHER.

### Leveling Feet

1. Take the 5 leveling feet and place into the four holes at each outside corner and the one in the center of the stage frame. (Optional wheels will be used in place of stage feet).

**NOTE:** You do not need to level the stage yet, just insert the feet so you know they are the **BOTTOM** frames. Place aside as you will be working with the **TOP** frames in the next few steps.



### Attach Supports

1. Take the 12" IBeam supports, 1- 3/4" bolts, washers and nuts, bolt the supports through the top stage frames. (you will only anchor the supports to the top frames at this point). Place all bolts through structure and supports before tightening.

2. Tighten with 9/16" wrenches. (Not Provided)

### To Identify Top Section

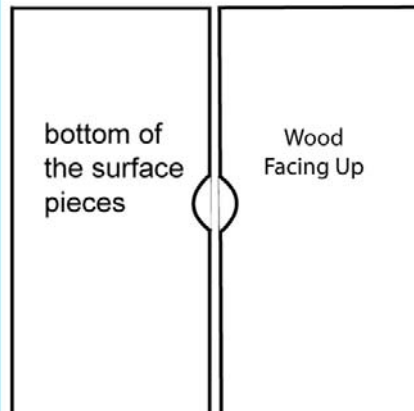
**Note:** MAKE SURE THAT YOU ARE USING THE TOP SECTIONS. LOOK FOR LITTLE HOLES AROUND THE OUTSIDE. THESE WILL BE USED LATER TO SECURE THE STAGE SURFACE TO THE METAL STRUCTURE.

# PLATINUM STAGE™

## Step 3



IF YOU HAVE A CLEAR OR FROSTED ACRYLIC SURFACE SKIP TO STEP 4

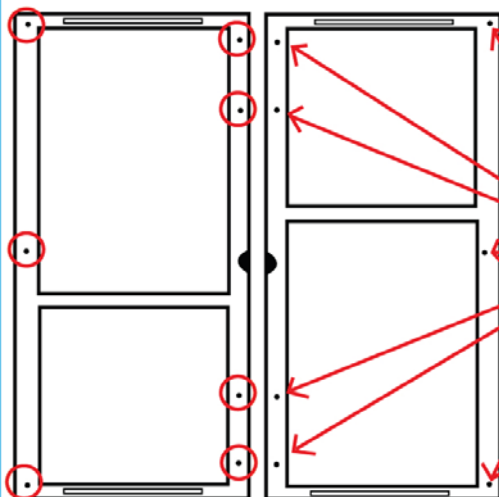


1. **VERY CAREFULLY**, flip surface panels upside down so dance surface is facing the floor.
2. Place steel structures from step 2 (top facing upward) onto the bottom side of the stage surface (wood) and lay so sides are as even as possible. (Make sure the large center hole on the stage surface is lined up with the hole in the metal structure).

### WARNING!!!

IF YOU HAVE A STEEL SURFACE BE VERY CAREFUL AS THERE ARE SHARP EDGES. EXTREME CARE SHOULD BE TAKEN IN THIS STEP!!!

IF YOU HAVE ACRYLIC SURFACE DO NOT DRILL OR SCREW INTO ACRYLIC. IT RESTS OVER BOLTS AND DOES NOT NEED TO BE SCREWED IN SKIP TO STEP 4. ON NEXT PAGE.



3. Make sure the dance pole hole in metal structure lines up with the 2 inch hole in dance stage surface.

Screw Washer 14x Screws

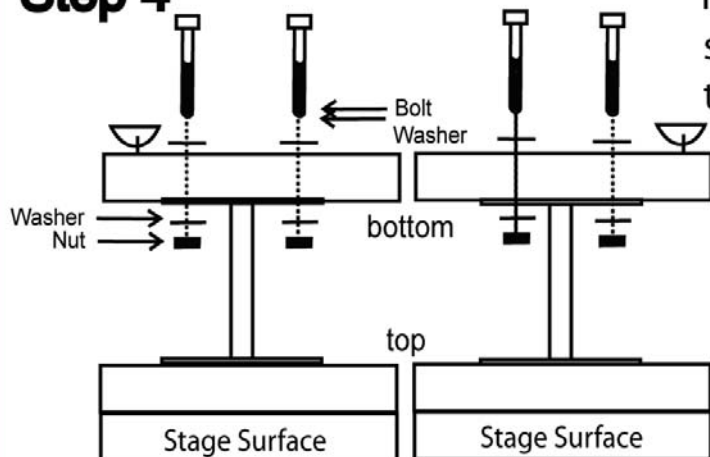
4. You will need the Philips head screws, and small washers. Screw all 14 screws through structure into wood (bottom of stage surface). It might help to apply weight, as you screw it in to the wood to prevent it from moving.

**There are no predrilled holes in the wood so push hard.**

**NOTE:** The edges might not be flush with the metal structure. This is fine. You must line up the center of the stage with the two surface panels. Make sure the surface panels are even to each other and they are as close as possible to each other in the center of the stage.

# PLATINUM STAGE™

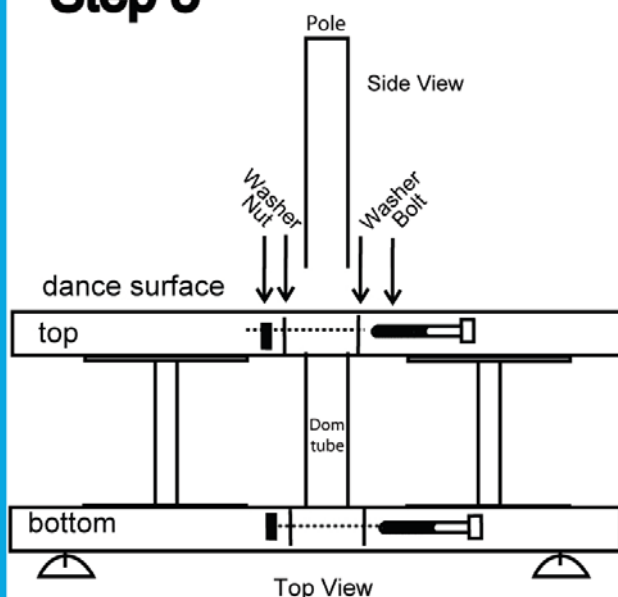
## Step 4



1. Bolt bottom structure to top structure with supports using the 1-3/4" bolts, nuts and washers.

**NOTE:** BEFORE tightening nuts, put all bolts through supports and stage structure to insure proper fit of pieces. Once all bolts are through tighten them evenly.

## Step 5



1. Place the two halves of stage on the floor, feet facing down. The two frames should be about 3 to 4 inches apart.
2. Place your DOM tube in between two stage frames, making sure the DOM tube is flush to bottom of frame.
3. Sandwich the two halves together around the DOM tube.
4. Use the 5 inch bolts, large washers and nuts to screw your two stage frames together. Place all bolts through before tightening.



MAKE SURE YOUR STAGE FRAMES ARE LINED UP EVENLY  
OR YOUR SURFACE WILL NOT BE EVEN.

# PLATINUM STAGE™

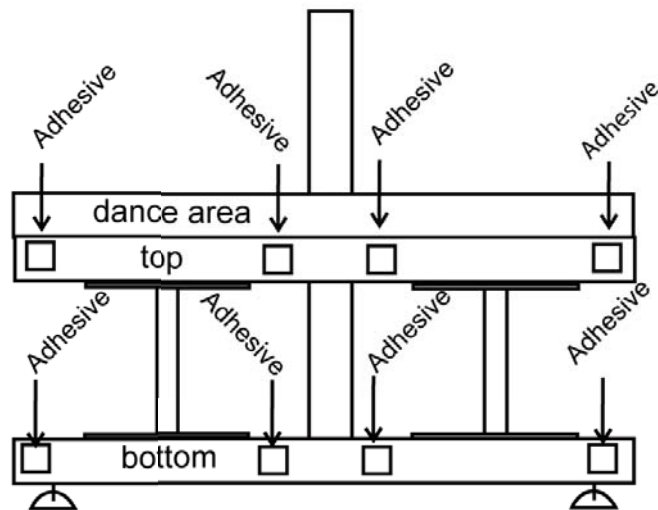
## Step 6

**Note:** For temporary installation, use velcro. (Included)  
For permanent installation use double stick tape. (Included)  
For permanent installation use metal/acrylic glue.  
(liquid nails)  
(Available at any hardware store, not Included)

The word "adhesive" will be used in place of velcro, sticky tape etc...

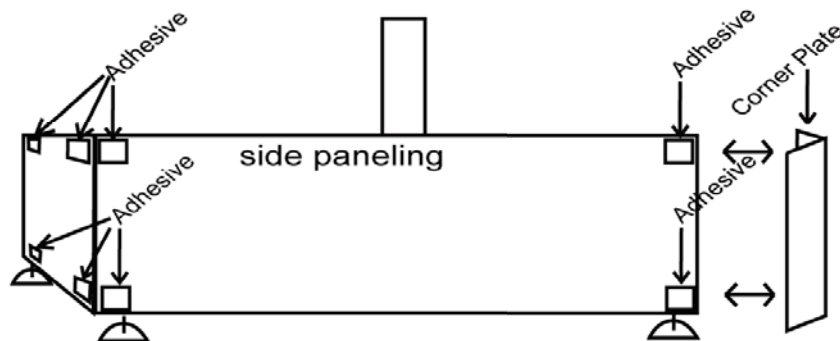
**TIP** → Use fuzzy pieces of velcro on all external parts so if dismantled all sides will velcro universally together

1. Peel paper off of both sides of acrylic side panel sheets.
2. Place adhesive onto all sides of the stage, top and bottom (as shown). Adhere one side then peel the backing of the second side.
3. Then stick acrylic panels to the sides of the stage so the sides of the acrylic are flush with bottom corners of the metal stage structure.



The top might be exposed slightly but will be covered later by the black plastic molding.

4. Place adhesive onto the corners of the acrylic sides (as shown).



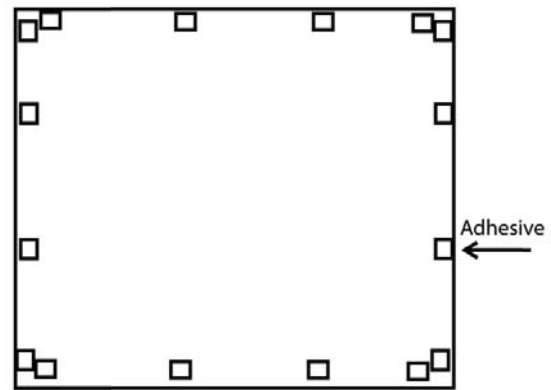
5. Take chrome corner pieces and place over the adhesive, make sure the brackets are flush with the bottom of the acrylic paneling.

# PLATINUM STAGE™

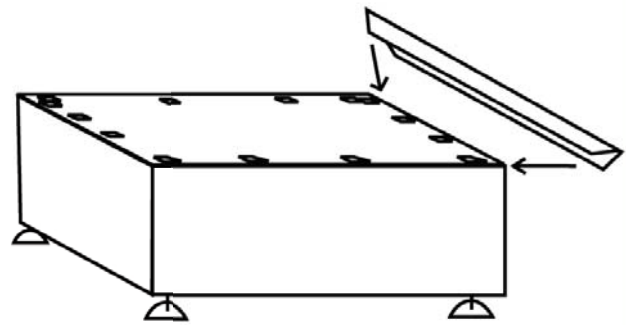
6. Place adhesive to the top edges of the stage (dance area). You will need 4 pieces per side (as shown).

**Note:**

Wipe down stage surface with a clean dry cloth before applying adhesive.



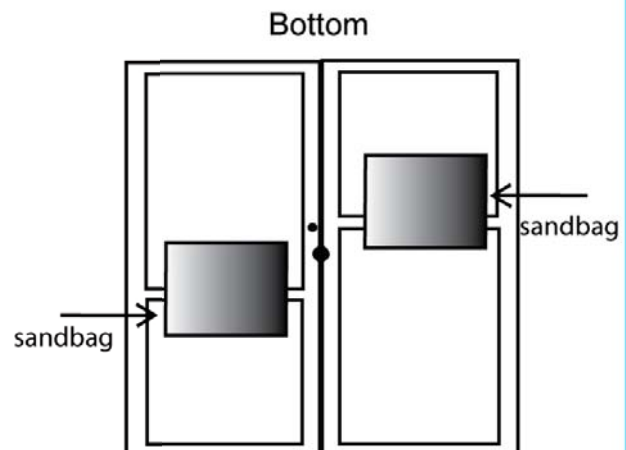
7. Once the sides are adhered to the stage you will need to add the 48" black plastic molding (final piece). Make sure to attach your 4 rubber corners. Lay the pieces down before applying adhesive to ensure a proper fit.



8. Place adhesive along the top of the stage, 4 pieces per side.

9. Then place the 48" black plastic molding on top of the stage on each side. (The corners of the molding should be flush together and held tight by the adhesive).

10. Included in your stage kit are 2 sandbags that should be filled with sand or dirt and placed over the center struts under the stage. Stage should not be used without these sandbags in place!!!



If you have a lighting kit. Place included lights under the stage and position to your taste. BE CAREFUL AND HAVE FUN!!!

(Lights do not mount to stage structure.)

## WARNING -READ BEFORE UNPACKING PLATINUM STAGE WITH POLE

All claims of damage or shortage must be made to Platinum Stages within 72 hours after receiving the pole or Platinum Stages will not be held responsible for carrier damage or loss claims

ALWAYS position this product on an even, non-slick surface.



**WARNING:**

ALWAYS keep both feet on stage surface and **do not use barefoot!**

NEVER use this product without filling the enclosed sand bags and placing them on the horizontal steel supports under the stage as per instructions.

### FOR YOUR OWN SAFETY

NEVER use this product's center pole to support body weight.  
NEVER use this product's center pole to invert body, hang or spin.  
NEVER use this product under the influence of drugs or alcohol.  
**If stage becomes wet discontinue use and dry thoroughly.**  
Discontinue use if stage becomes uneven and consult assembly instructions to repair.



**CAUTION:**

This product contains sharp points and edges, care should be taken in the unpacking and assembly.



**WARNING:**

This novelty product is for entertainment purposes only and is not designed to support weight in excess of 250 lbs. Severe injury or death may result if improperly assembled.

### LIMITED WARRANTY

Platinum Stages TM warrants all parts against damage, which impair the structural integrity of the product for 1 year from the date of purchase, to the original owner with proof of purchase. All parts covered under this warranty will be replaced free of charge and returned to the customer freight collect. This warranty does not cover normal wear and tear or damages resulting from misuse, abuse, altered or improperly installed equipment. **PLEASE INSPECT THIS PRODUCT ON A REGULAR BASIS FOR WEAR AND SAFETY.** Platinum Stages TM assumes no responsibility for incidental or consequential damages, which may arise, from the purchase or use of this product. This warranty is expressly in lieu of all other warranties, expressed or implied.

**1582 Monrovia Ave.  
Newport Beach, CA 92663**