

Levitech Lift System Recharge Instructions

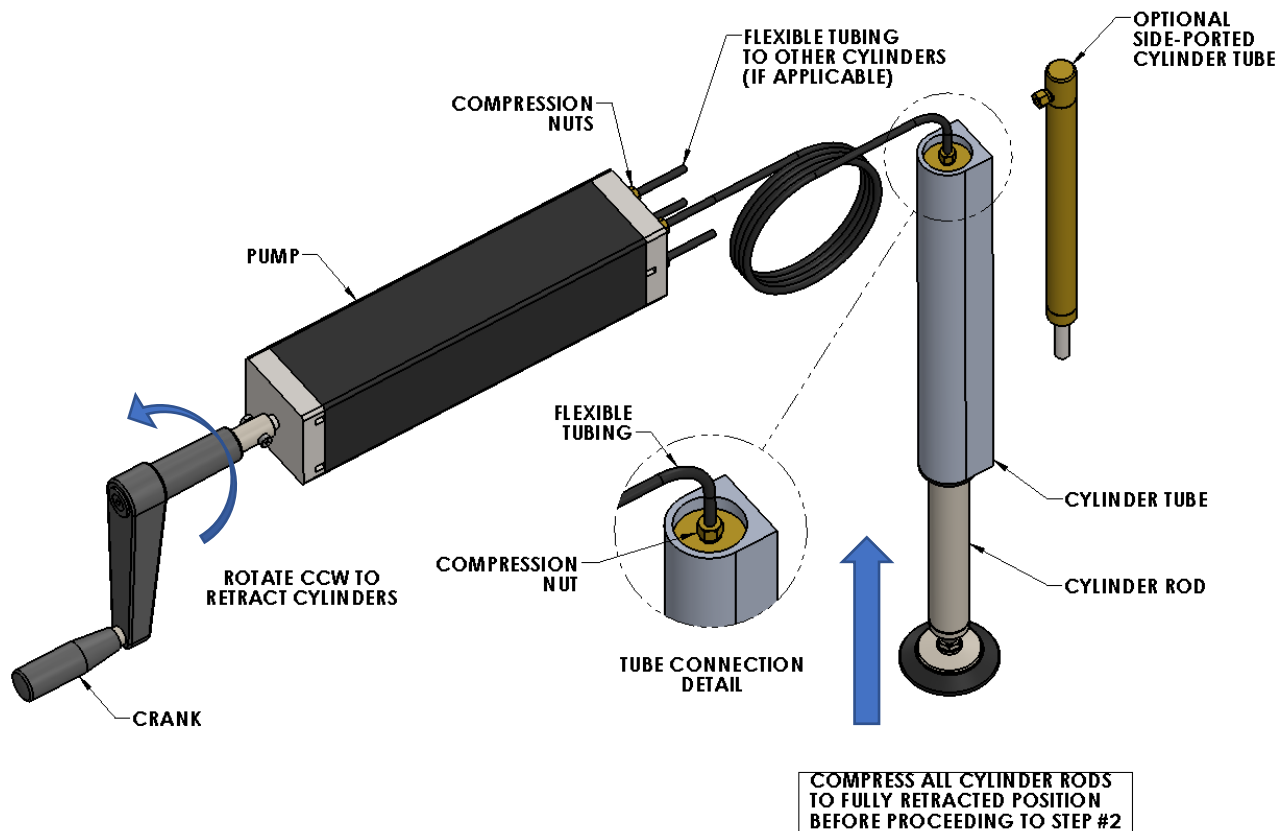


Figure 1: Assembly System

Instructions apply for both D-Housing cylinders and side-ported cylinders

1. While maintaining a load on all cylinder rods, turn the pump crank counterclockwise (CCW) until crank will not rotate. This will ensure that all cylinders are completely retracted.

IMPORTANT NOTE: Remove load on cylinder rods before proceeding to step #2.

2. Place pump in vertical position with handle down. Unscrew the compression nut from the pump fitting that is connected with the cylinder to be recharged.
3. Unscrew compression nut from cylinder fitting. For the D-Style Cylinders, it may be necessary to remove the brass cylinder from the housing by removing the two set screws at the fitting end.
4. Measure new length of flexible tubing coil provided in kit. Cut tubing to length with a sharp razor knife, making sure both ends are clean and square. Discard old compression fittings and tube.

Levitech Lift System Recharge Instructions

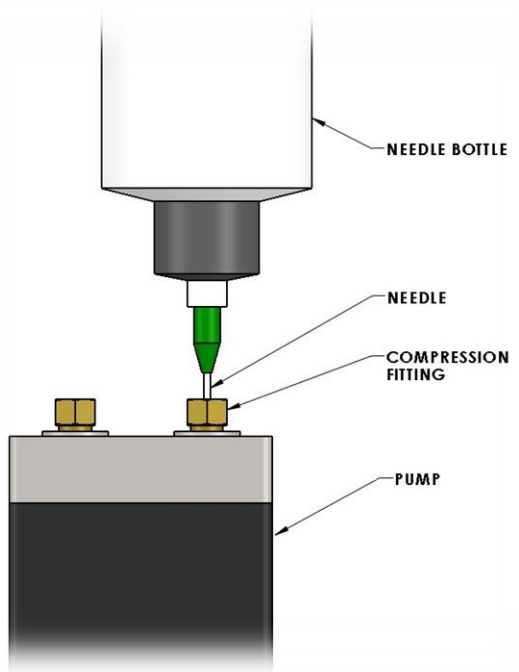


Figure 2: Pump Fill

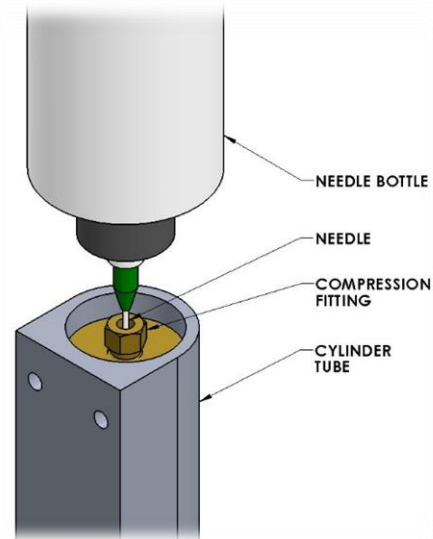


Figure 3: Cylinder Fill

6. Finger tighten new compression fittings into pump and cylinder ports.
7. Remove needle/cap from needle bottle. Fill needle bottle with Levitech hydraulic fluid and replace needle/cap.
8. Fully insert needle inside open pump fitting (Figure 2). Squeeze needle bottle to fill pump with Levitech hydraulic fluid until the fluid has reached the top of the fitting.

IMPORTANT NOTE: Pump will not fill properly unless filler bottle needle is inserted past the smallest opening in the fitting.

9. Slowly and gently pull cylinder rod out of cylinder tube about 6 inches.
10. Fully insert needle inside open cylinder tube fitting (Figure 3). Squeeze needle bottle to fill cylinder tube with Levitech hydraulic fluid until the fluid has reached the top of the fitting.

IMPORTANT NOTE: Cylinder tube will not fill properly unless filler bottle needle is inserted past the smallest opening in the fitting.

11. Slide tubing into cylinder compression fitting until it bottoms out. While maintaining a slight downward pressure on tubing, tighten compression fitting an additional 1 to 1-1/4 turns to secure the connection.

Levitech Lift System Recharge Instructions

12. While holding free end of flexible tubing over container, compress cylinder rod into cylinder tube to fully retracted position. This will expel air and fluid from cylinder/tubing assembly and will charge the tubing with fluid.
13. Slide tubing into pump compression fitting until it bottoms out. While maintaining a slight downward pressure on tubing, tighten compression fitting an additional 1 to 1-1/4 turns to secure the connection
14. Repeat steps 2-11 as necessary.

To Charge Cylinders Ported On One Side:

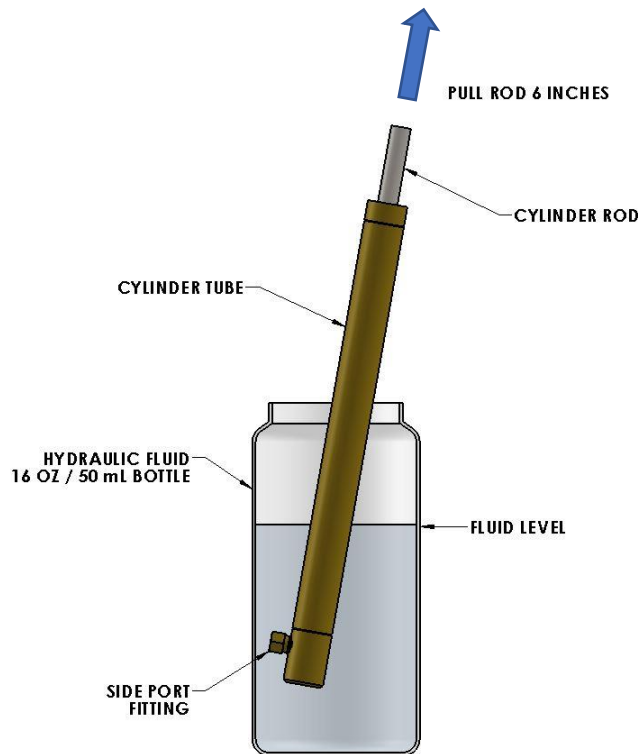


Figure 4: Filling a Side-Ported Cylinder

1. Make sure all cylinder rods are fully retracted.
2. Immerse cylinder fitting end into 16oz/500mL bottle of Levitech hydraulic fluid (Figure 4). Draw fluid into cylinder by pulling cylinder rod 6 inches from cylinder tube, as if drawing fluid into a syringe.
3. Continue with steps 10-12 in the previous section.

Levitech Lift System Recharge Instructions

Levitech System Recharge Kit Contents

P/N: LPR-103611

- (1) Set of Levitech system recharge instructions
- (1) 16 oz. / 500 mL bottle of Levitech hydraulic fluid
- (1) 36 ft (11 meter) coil of flexible hydraulic tubing
- (1) 8 oz. filler bottle with needle adapter nose
- (1) 14 GA filler bottle needle
- (10) Compression nuts