



OE INDICATOR SPEEDOMETER SIDE MOUNT ASSEMBLY

sales@jokermachine.com, Phone: 909-596-9690
www.jokermachine.com

For Part No: 10-319 & 10-322

NOTE: Use a medium strength thread locker
on all hardware.

Tools Needed

3/32 hex driver
6mm hex driver
4mm hex driver
Phillips screw driver

INSTALLATION

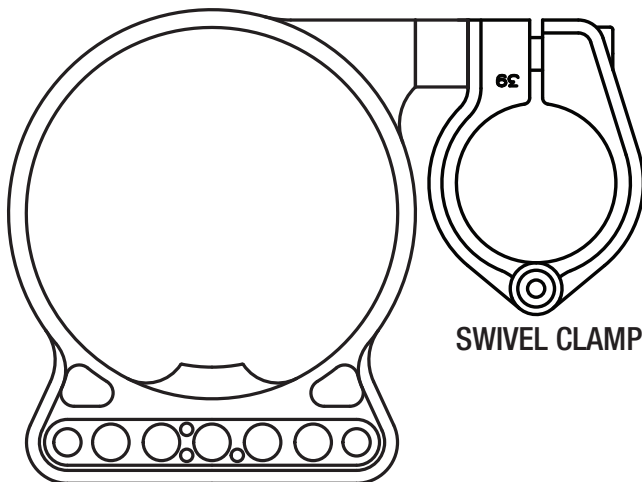
IMPORTANT! Sportster Custom and Forty-Eight models
require the Harley-Davidson speedo back plate and
cushioning (HD #67320-95 & 67104- 95).

Mount clamp and speedo housing on left fork

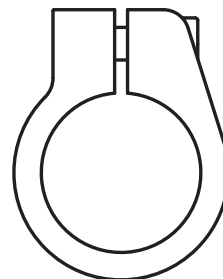
Swivel Clamp Installation skip steps 1-3.

If using the swivel clamp you do not have to lift the
bike on a bike stand to lower the fork tube legs.

1. Lift bike on bike stand to get the front wheel off the
ground.
2. Loosen upper and lower triple clamp pinch bolts.
Slide fork tubes down far enough to place clamp on
left fork tube. Slide fork tubes back into place and
torque to factory spec. 30' - 35' lbs.
3. Slide fork clamp bolt through the fork clamp mount
into the speedometer mount using a 6mm hex
driver/key.
4. Remove speedo and indicator module from stock bracket
by removing back plate, reset switch, plug and cushioning
from OEM speedometer clamp.
5. Reassemble on the Joker speedometer side mount.
6. Using BLUE LOCTITE mount speedo side mount to
fork clamp.
7. Make sure you clear the gas tank before tightening down
mounting screw.



SWIVEL CLAMP



SOLID CLAMP

M8-1.25 SOCKET CAP SCREW, CAD
NOTE: BLUE LOCTITE BEFORE FINAL
INSTALLATION.
USE 6MM HEX DRIVER/KEY