

Joker

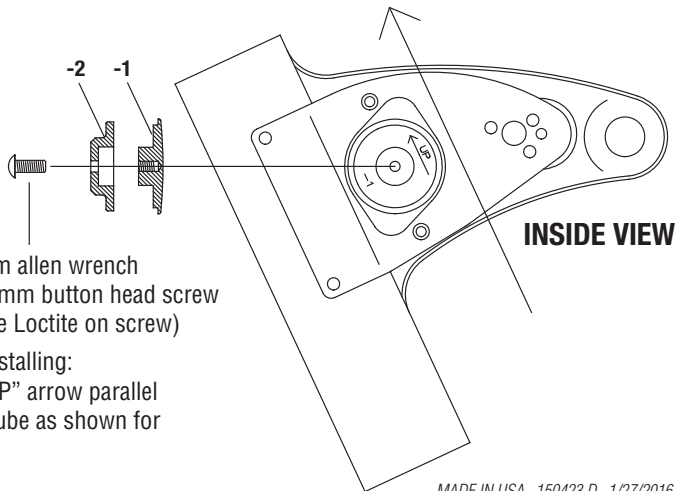
MACHINE

TRIUMPH IGNITION HOLE PLUG INSTRUCTIONS

PART NO. 09-074B

For technical support contact Joker Machine

2245 Kiowa Blvd N. Ste. 100, Lake Havasu City, AZ 86403
PHONE: 909-596-9690, FAX: 909-596-9693
sales@jokermachine.com, www.jokermachine.com



Use 3mm allen wrench
M5 x 10mm button head screw
(use blue Loctite on screw)

When installing:
Align "UP" arrow parallel
to fork tube as shown for
best fit