

Joker MACHINE

CLUTCH RELEASE COVER INSTRUCTIONS

PART NO. 06-01 & 941228

For technical support contact Joker Machine

2245 Kiowa Blvd N. Ste. 100, Lake Havasu City, AZ 86403

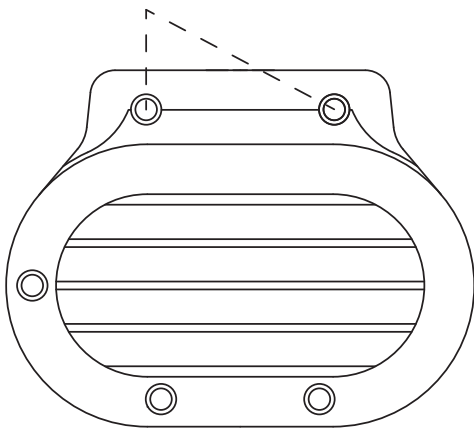
PHONE: 909-596-9690, FAX: 909-596-9693

sales@jokermachine.com, www.jokermachine.com

Our hardware is based on a stock Harley 5 Speed transmission. It's critical to check the hardware lengths do to the fact that that 6 speed transmissions are designed different from 5 speed transmission, and there's a variety of aftermarket transmission and housing manufacturers.

FINNED

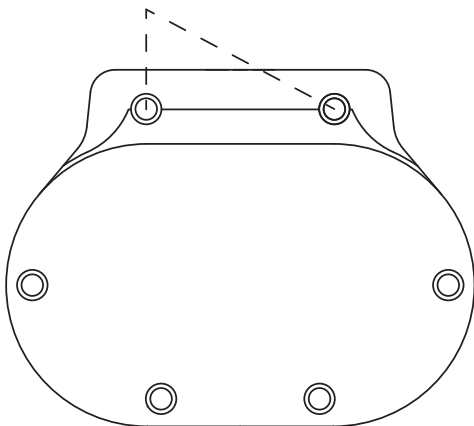
TOP SCREWS: (2) 1/4"-20 X 2 3/4" LONG SOCKET CAP SCREW, CHROME



BOTTOM SCREWS: (4) 1/4"-20 X 2" LONG SOCKET CAP SCREW, CHROME

BALL-MILL, SMOOTH & FLAME

TOP SCREWS: (2) 1/4"-20 X 2 1/4" LONG SOCKET CAP SCREW, CHROME



BOTTOM SCREWS: (4) 1/4"-20 X 2" LONG SOCKET CAP SCREW, CHROME