



2 PIECE RAT EYE FORK MOUNT TURN SIGNALS

PART NO. 05-220, 05-221 & 05-222

For technical support contact Joker Machine
2245 Kiowa Blvd N. Ste. 100, Lake Havasu City, AZ 86403
PHONE: 909-596-9690, FAX: 909-596-9693
sales@jokermachine.com, www.jokermachine.com

TOOLS NEEDED

- 6mm Allen Screwdriver/T-handle
- Electrical tools of choice
- Heat Shrink
- Cable Cover
- Cable Ties

MOUNTING FORK MOUNT LIGHTS

1. Test lights before starting any work. Lights are rated for 12V DC.
2. Mock-up lights on fork tubes.
3. Pre-run wires and make any necessary cuts and splices.
4. Connect wires. (See below for more info and Figure B)
5. Remove the mounting screw and add blue loctite (medium strength) to threads and re-tighten the screw.

WIRING LIGHTS

NOTE: READ BEFORE WIRING

This assembly comes with single function L.E.D. lights. Depending on the year of the bike and what functions you want the lights to have, you might have to use a load equalizer or dual function intensifier/converter module (typically called Intensifiers). Please call Joker Machine for information if needed.

RECOMMENDED:

- Solder all wires for better installation results.
- Use 1/4" heat shrink.

Disconnect battery before beginning installation.

Run/Turn Signal Installation with Intensifier

Solder or connect as shown in Intensifier instructions.

Turn Signal Only Installation

Solder or connect power wire and ground wire from the Joker Machine light to the stock wires. See diagram to match colors.

FIGURE A

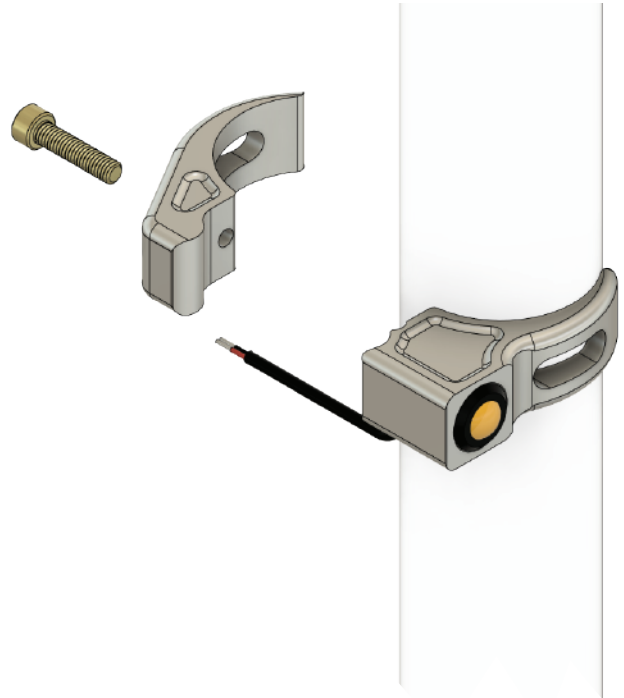


FIGURE B

