

RAT EYE X X X X TURN SIGNAL INSTRUCTIONS

For technical support contact Joker Machine

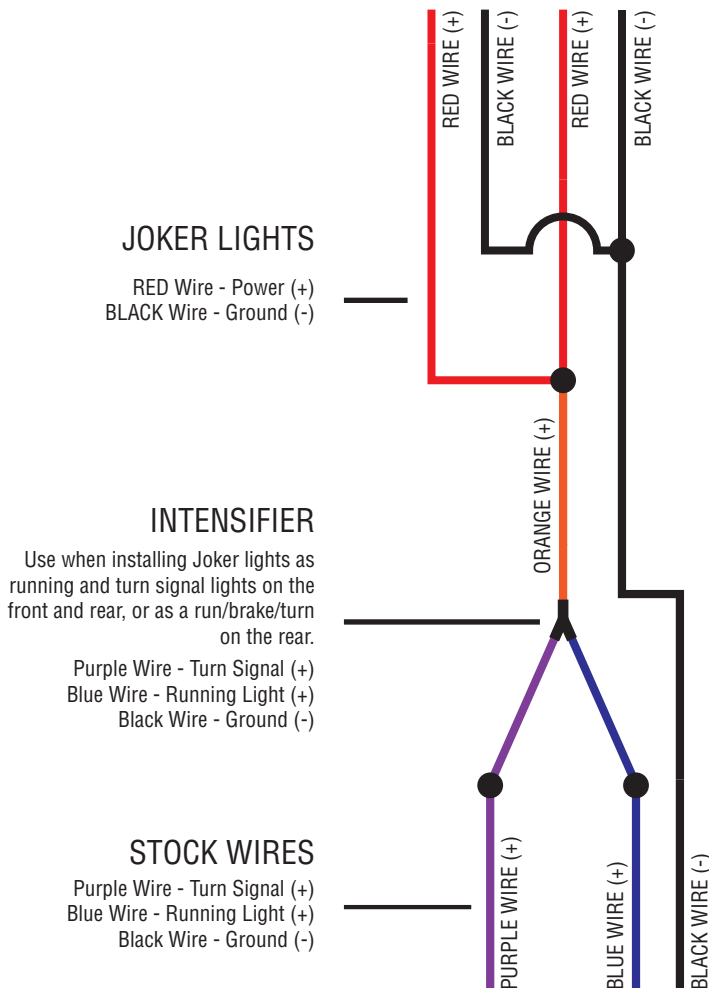
2245 Kiowa Blvd N. Ste. 100, Lake Havasu City, AZ 86403
PHONE: 909-596-9690, FAX: 909-596-9693
sales@jokermachine.com, www.jokermachine.com

LED INTENSIFIER CONVERTER

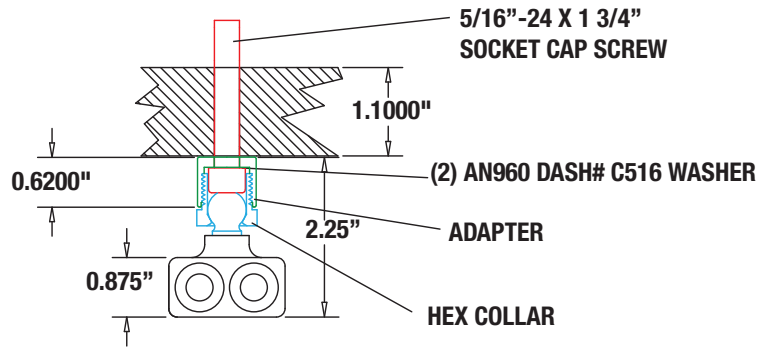
Joker LED Intensifier in-line converter will convert a single function light, into a run/turn signal or run/brake/turn signal.

- Converter has been designed to hide in-line with your factory wiring.
- The high function can be turn signal or brake, the low function is for running lights.
- Solder your connections as shown in the diagram, and heat shrink to cover your connections.
- One Intensifier is needed per light.
- Intensifiers are sold in pairs.
- In-line Intensifier is not for incandescent or halogen bulbs and max rated for 500 milli-amps.

Diagram shows Dual Rat Eye Lights



FITMENT INFORMATION



Rat Eye Mirror Mount Turn Signal will only work on mirrors that mount with a screw that's separate from the mirror stem. The mirror mounting screw is used to hold the mirror and turn signal together.

MOUNTING TURN SIGNALS

1. Install mirror with turn signal mounting screw and adapter using medium strength thread locker.
2. Test fit turn signals to adapter to find desired light angle.
3. Using medium strength thread locker install turn signal to adapter.

WIRING LIGHTS

NOTE: READ BEFORE WIRING

This assembly comes with single function LED lights. Depending on the year of the bike and what functions you want the lights to have, you might have to use a load equalizer or dual function intensifier/converter module (typically called Intensifiers). Please call Joker Machine for information if needed.

RECOMMENDED:

- Solder all wires for better installation results.
- Use 1/4" heat shrink.

Disconnect battery before beginning installation.

Run/Turn Signal Installation with Intensifier

Solder or connect as shown in diagram. Single lights will only have one power and ground wire.

Run/Turn Signal Installation without Intensifier

For Dual Rat Eye Lights only. Solder or connect a power wire from each light to the stock turn signal and running light wires. Solder or connect both ground wires from Joker lights to the stock ground wire. See diagram to match colors.

Turn Signal Only Installation

Solder or connect both power wires and ground wires from the Joker Machine light to the stock wires. See diagram to match colors. Single lights will only have one power and ground wire.