



THROTTLE ADJUSTER KIT INSTRUCTIONS

Part No. 03-146

For technical support contact Joker Machine

2245 Kiowa Blvd N. Ste. 100, Lake Havasu City, AZ 86403

PHONE: 909-596-9690, FAX: 909-596-9693

sales@jokermachine.com, www.jokermachine.com

Qty	DESCRIPTION
1	Adjusting Screw
1	Spring
1	Retaining Ring
1	Tensioner Shoe

Installation

Refer to the Harley Davidson Service Manual for disassembly and assembly of handbar controls.

NOTE:

Install retaining ring on the end of adjusting screw underneath friction spring to prevent adjusting screw from falling out when backed off to release throttle tension.

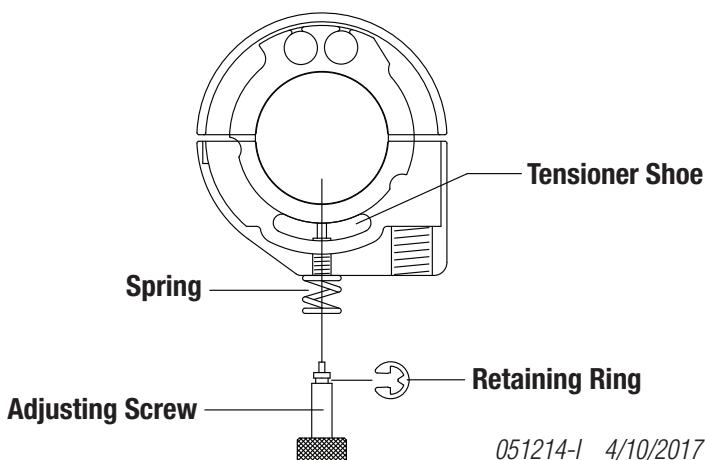
Warning

Do not over-tighten the throttle adjusting screw. Operation with the throttle adjusting screw over-tightened is not recommended because of the possible hazard involved when the engine will not return to idle position automatically in an emergency.

Adjustment

When turned by hand and then released, the throttle lever must return throttle grip to the closed or idle position. If throttle grip does not return to idle position freely, back off of adjusting screw until this is accomplished. If the throttle grip turns stiffly, it should be disassembled, cleaned and inspected thoroughly.

SHOWN ON SINGLE CABLE VERSION



051214-1 4/10/2017