

6x100



A



B



X1

∅ 10x50



C

4x35



P1

4x40

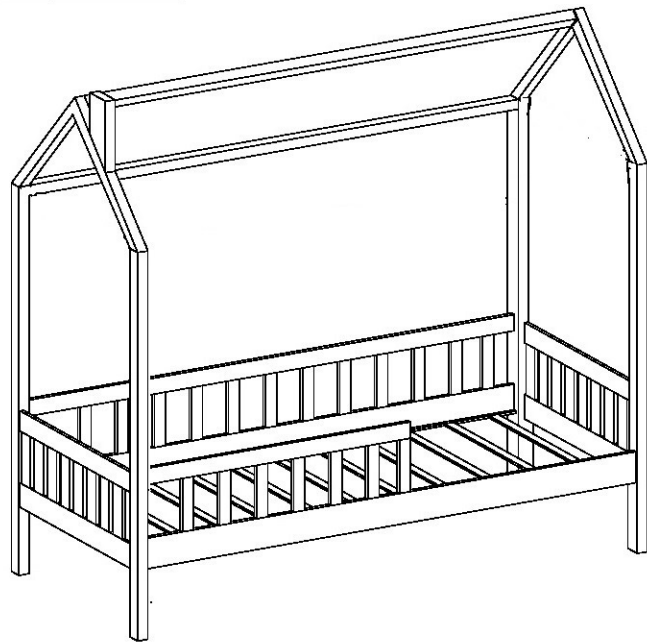


P2

10x50x22



O

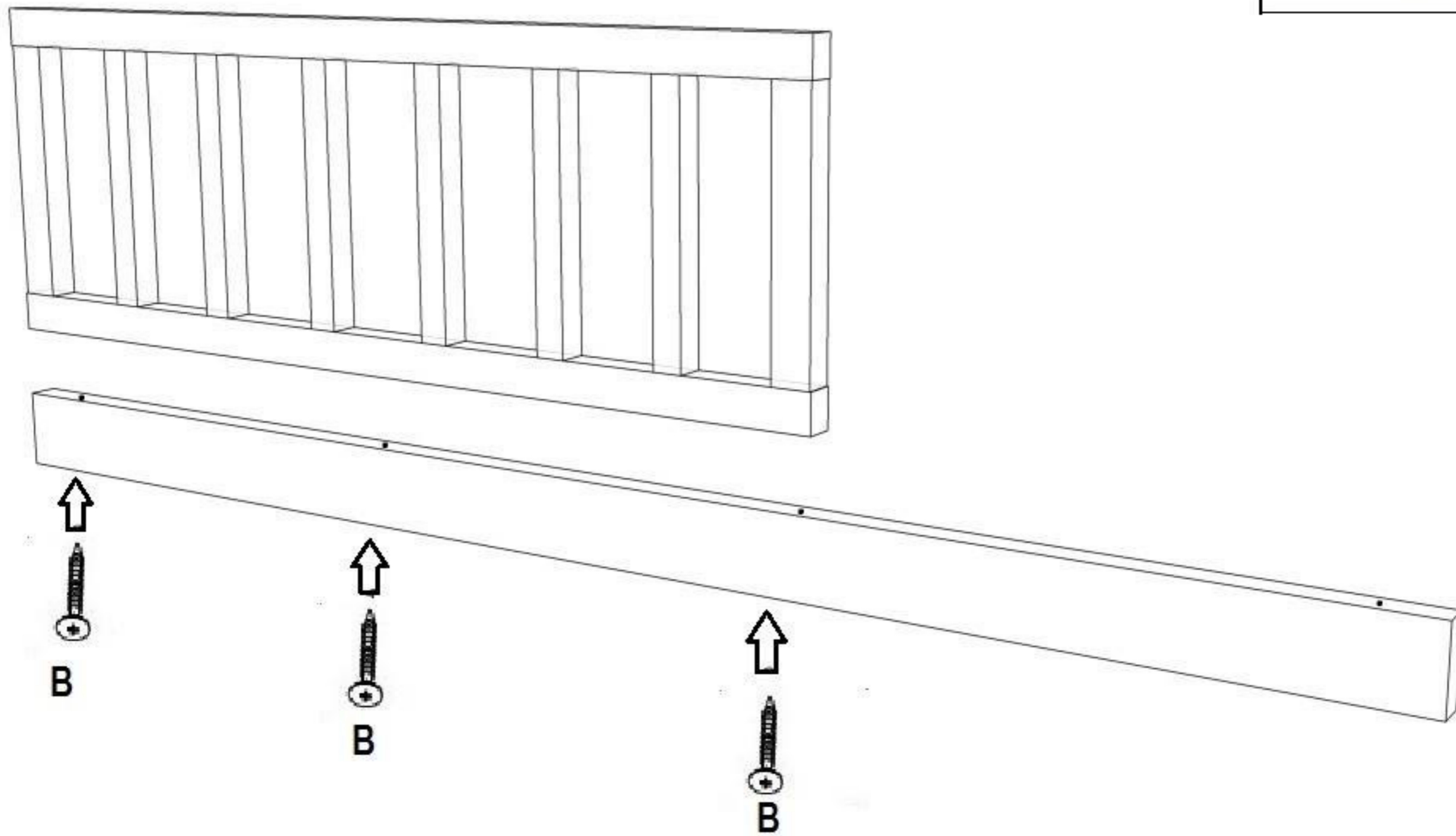


# Front removable railing

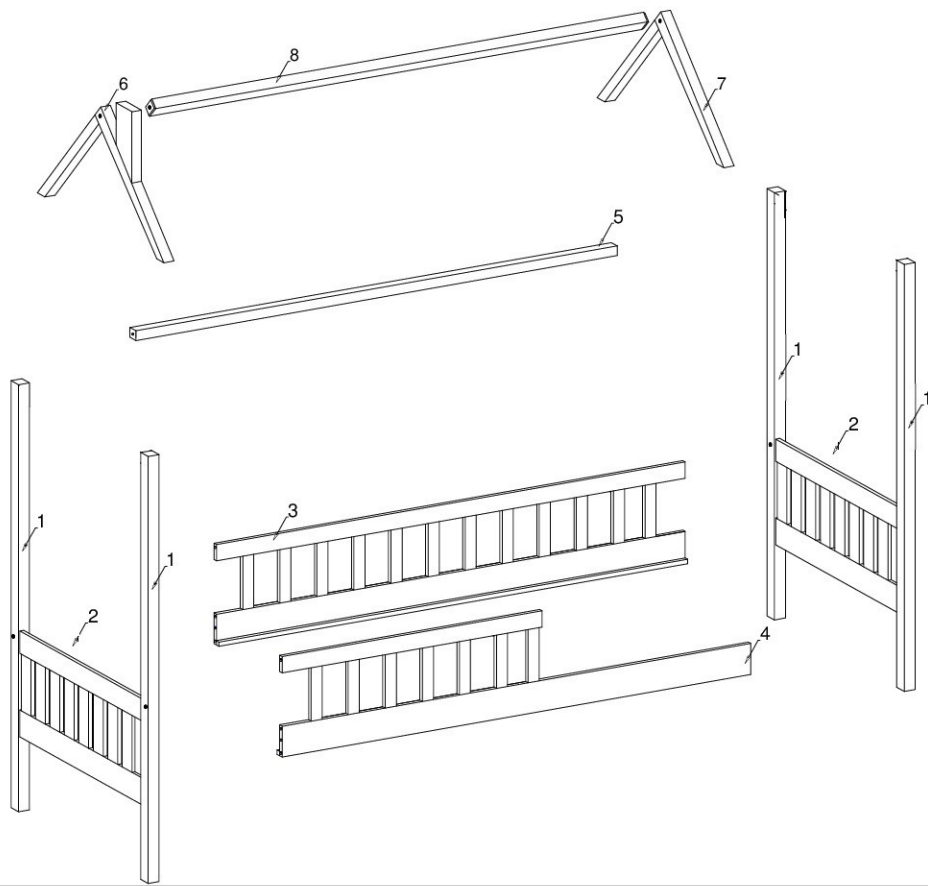
6 x 110



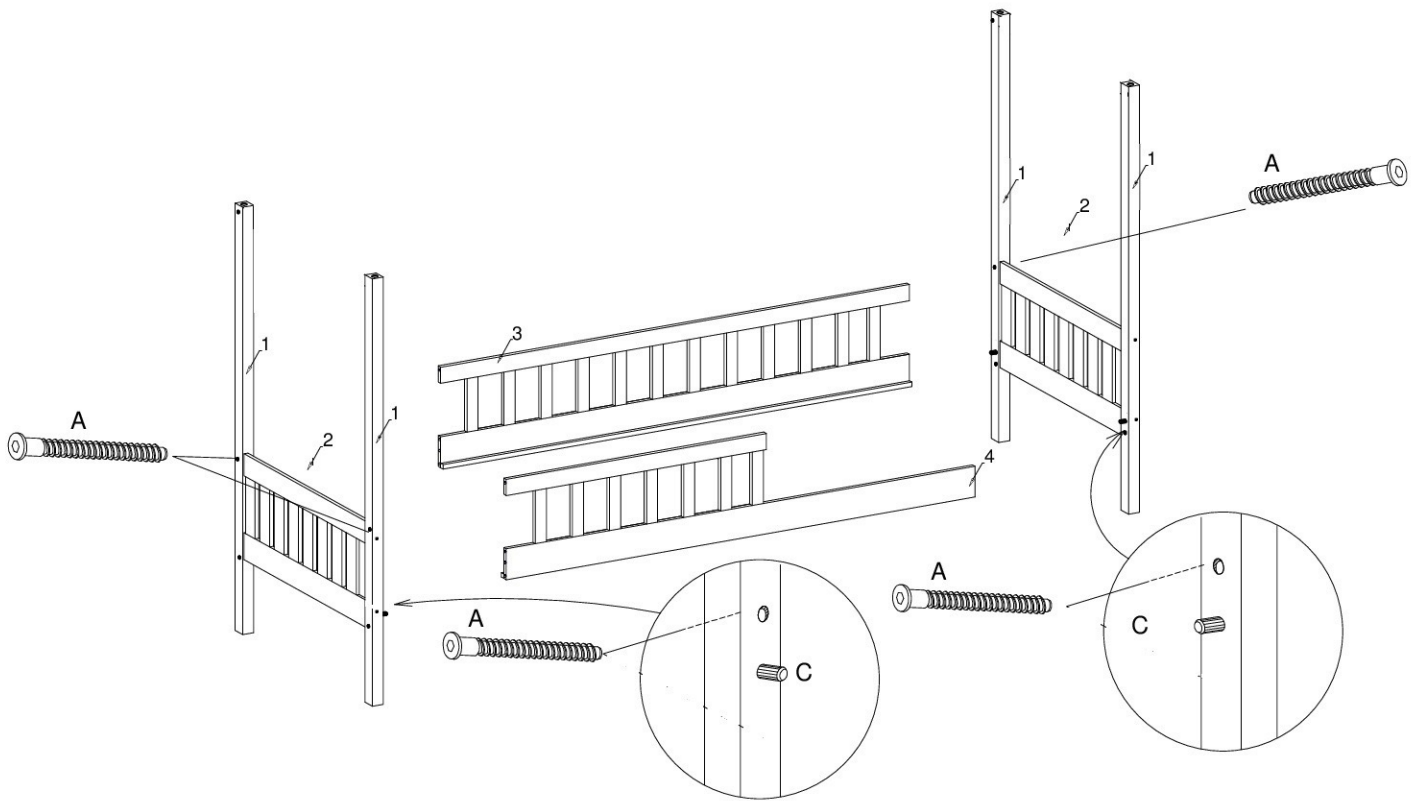
B



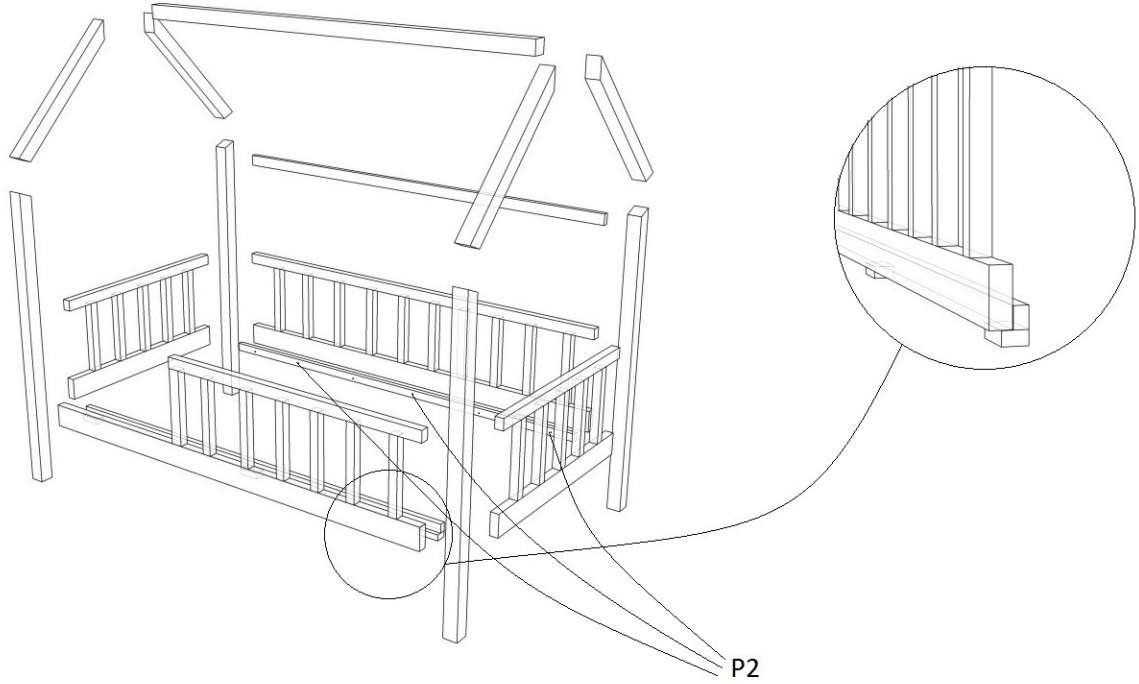
# 1



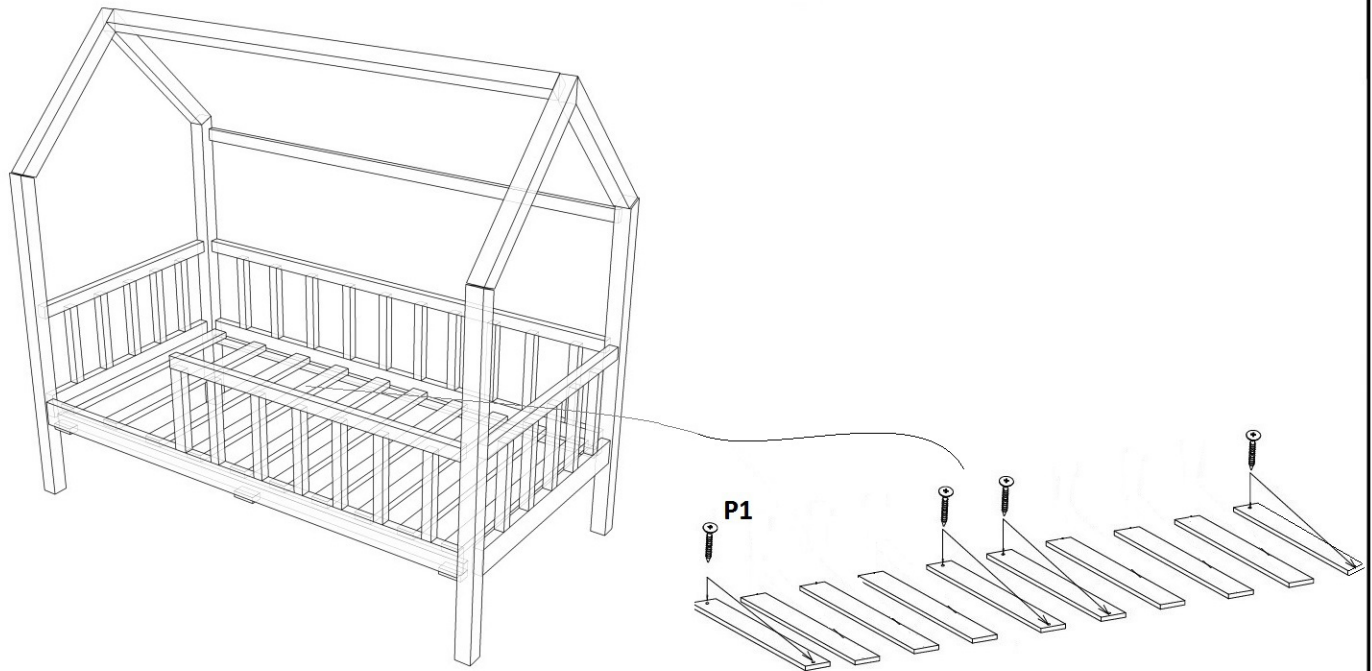
# 2



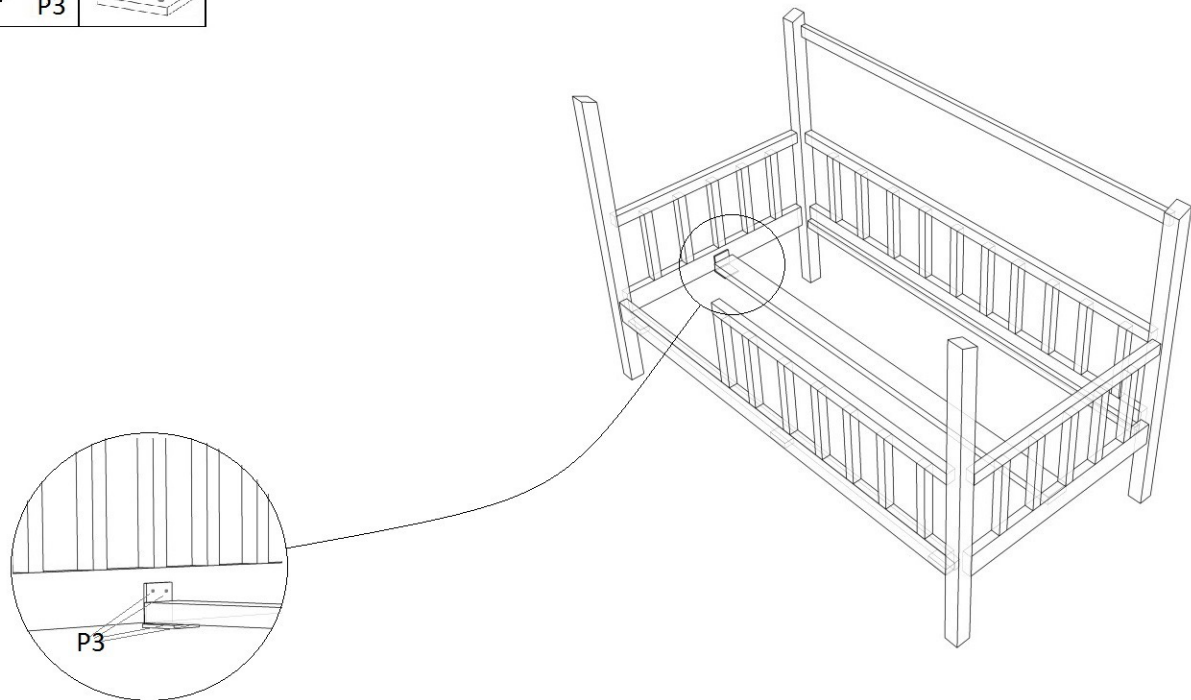
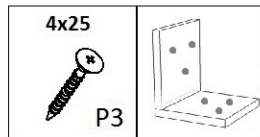
**3**

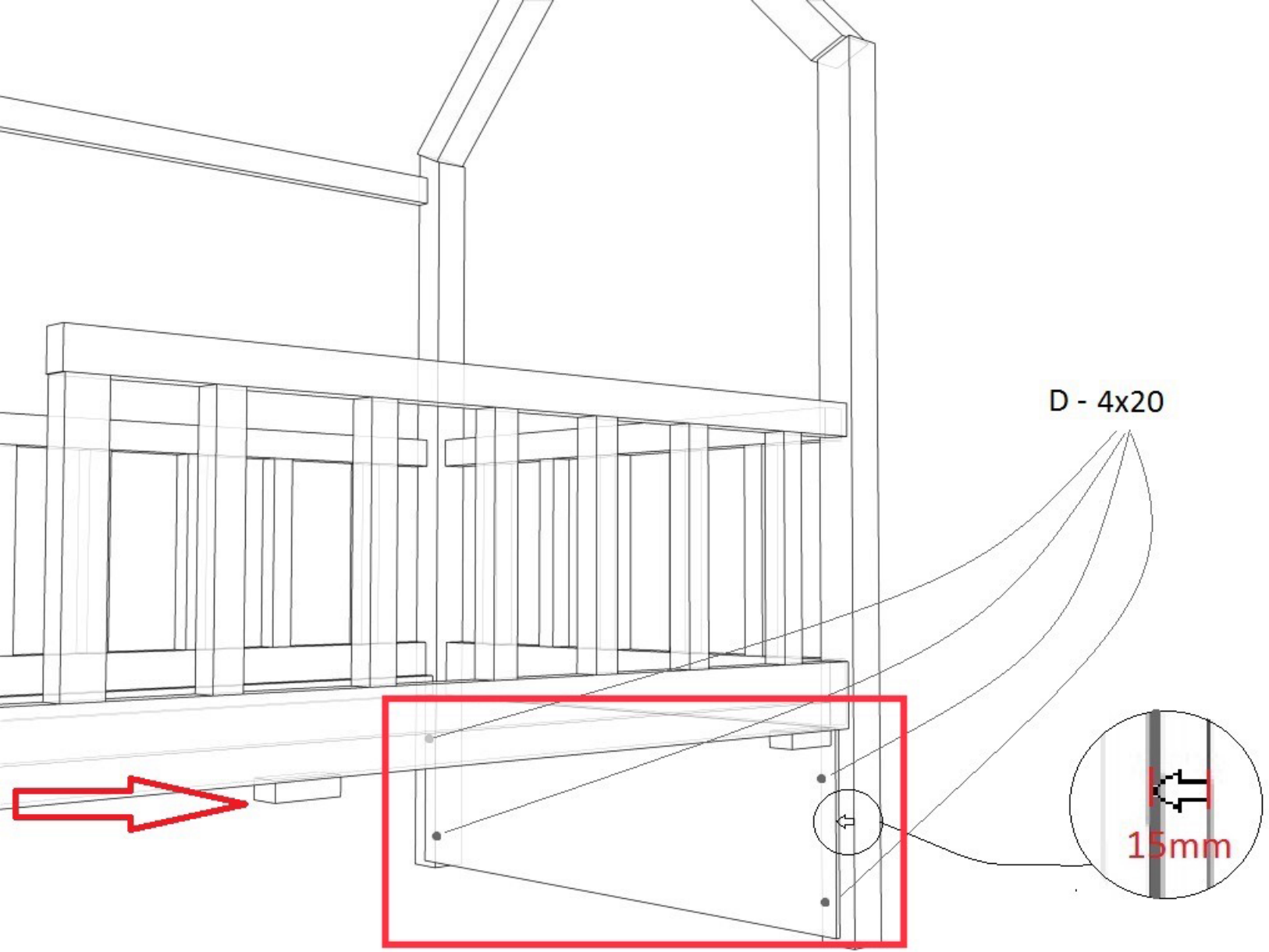


**4**

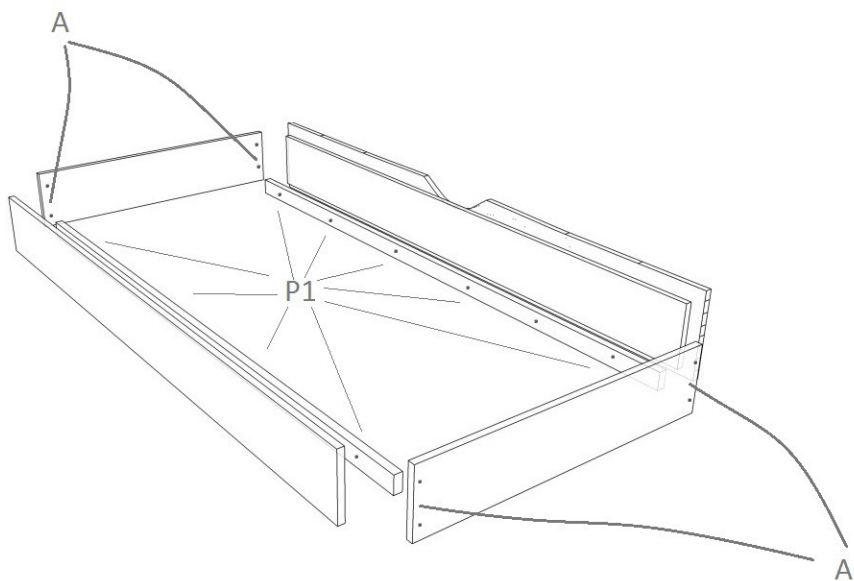
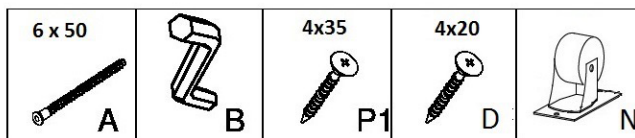


# 2.1





# 1



# 2

