

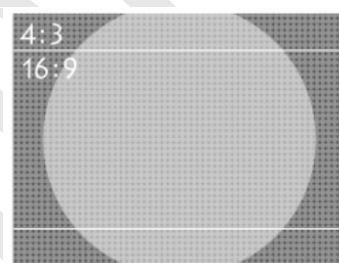
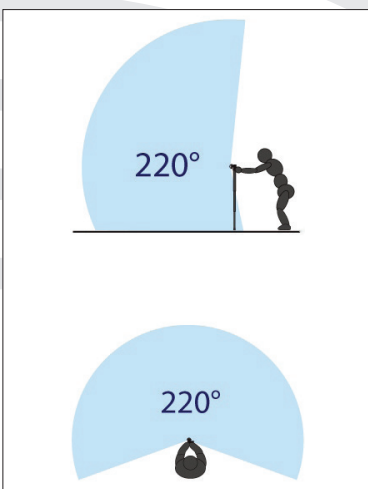
Entaniya Fisheye



The NEW Entaniya ENTAPANO range of Fisheye lenses achieves unique wide-angle images well beyond a normal field of view. The lenses are designed for 360 degree image capture using cameras like the **Ribcage modified 1/2.3" CMOS GoPro**.

Standard 180 degree fisheye lens are not always able to capture the upper and lower aspects of an image which will be missing when converted into a panoramic image. The Entaniya ENTAPANO Fisheye lens range correctly resolves images at approximately 190° degrees enabling flawless, seamless panoramic images to be captured.

The current range covers 220°, 250° and 280°.

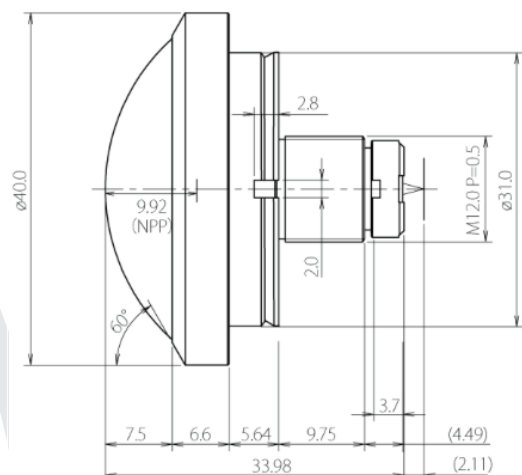


Features:

- 1.34 mm lens
- 4K Resolution
- **PERFECT for GoPro Ribcage cameras**
- Integrates with 1/2.3" cameras
- Japanese lens technology & quality
- Weight 52 grammes
- Supplied with CS mount adapter, IR cut filter, Allen key and grub screws
- 250 and 280 degree lenses also available

Specification:

Focal Length	1.34mm
Image Format	1/2.3"
Adjustment	Focus by adjusting the mount on the supplied CS-mount, 6 x locking grub screws
Maximum Aperture	F2.0 (Fixed)
Angle of View (HxV)	220° x 220°
Focussing Range	0.5m - ∞ (from Front of Lens)
Lens Elements	10 Elements ED x 1
Image Circle	Diameter 5.1mm (220° x 220°) 1/2.3" : 220° x 195°
Minimum Object Distance	0.5m
Resolution	Suitable for 4K
Back Focal Length	2.3mm (in air) at infinity
Flange Focal Length	17.526mm (in air)
Mount	M12 S-mount (metal)
Weight (g)	52 grammes
Dimensions	40mm (Diameter) x 34mm (Length)
Operating Temperature	-10 ~ +50°C (0 ~ +35°C recommended)



Please contact SeeSense for further details of all the HD compatible C, CS & S-mount lenses we offer:

www.seesense.eu nigel@seesense.eu

Rev: 1.020.0715 E.&.O.E.