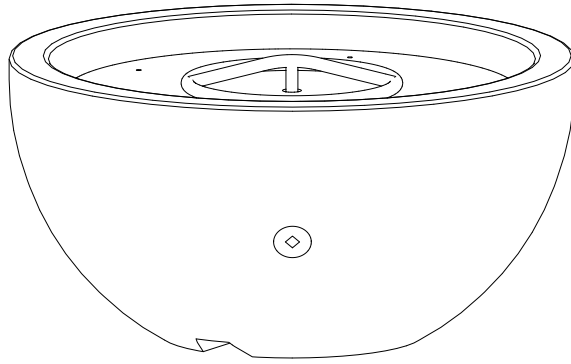
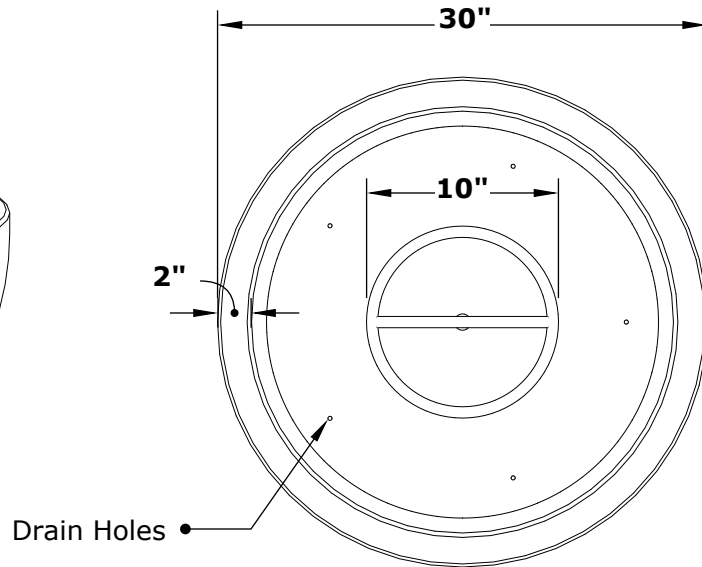


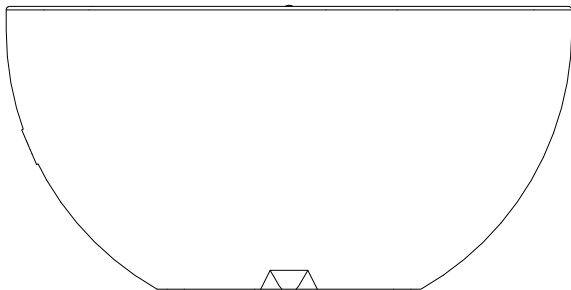
# 30" LUNA FIRE BOWL/FIRE PIT - GFRC CONCRETE



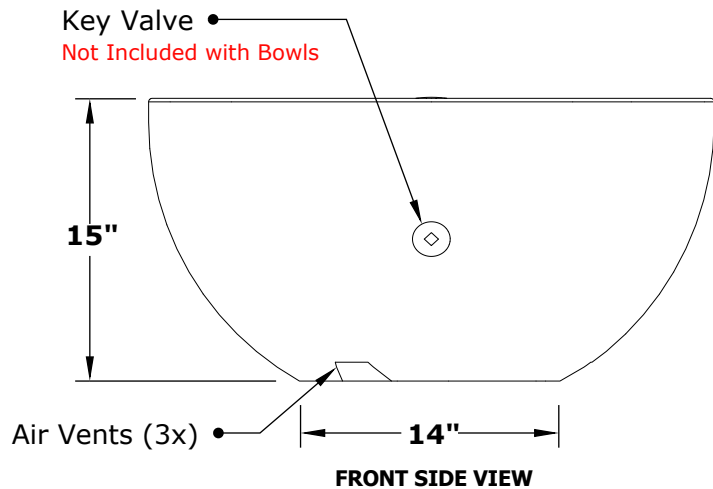
**ISOMETRIC VIEW**



**TOP VIEW**



**RIGHT SIDE VIEW**



**FRONT SIDE VIEW**

SKU	A	B	C	D	E	BTU
OPT-LUNFO30	30"	10"	15"	14"	2"	65,000
OPT-LUNFO30E12V	30"	10"	15"	14"	2"	65,000
OPT-LUNFO38	38"	12"	16"	22"	2.5"	65,000
OPT-LUNFO30E12V	38"	12"	16"	22"	2.5"	65,000
OPT-LUN30	30"	10"	15"	14"	2"	65,000
OPT-LUN30EKIT	30"	10"	15"	14"	2"	65,000
OPT-LUN38	38"	12"	16"	22"	2.5"	65,000
OPT-LUN38EKIT	38"	12"	16"	22"	2.5"	65,000

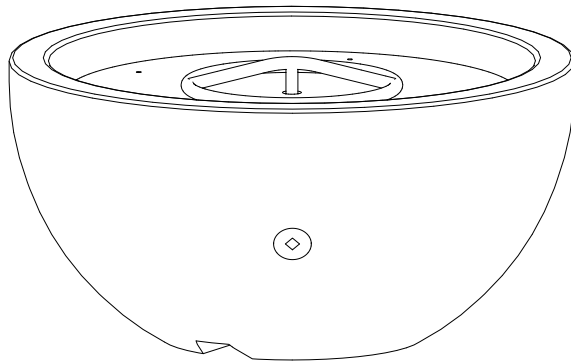
Fire Pit Material: GFRC Concrete  
 Finish: Smooth Finish  
 Pan Material: 304 Stainless Steel  
 Burner Material: 304 Stainless Steel

**12V ELECTRONIC IGNITION**  
 ANSI Z21.97-(2017) / CSA 2.41-(2017)

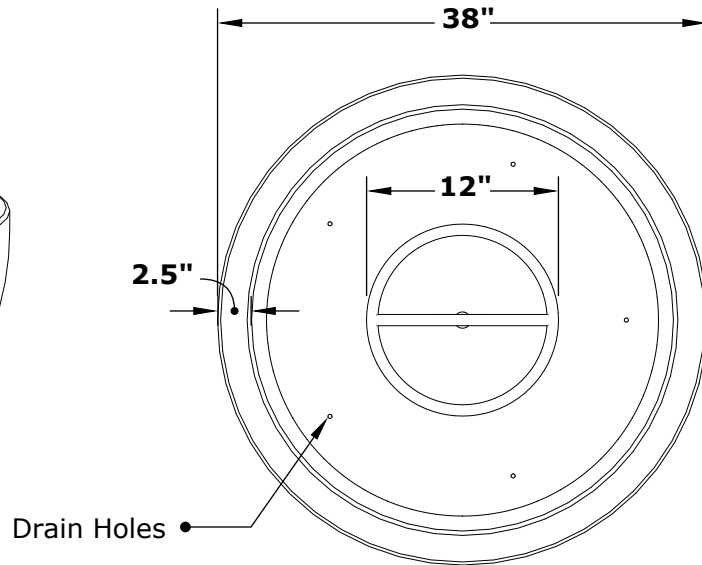


Includes: Pan, Burner, Key Valve, Whistle Free Hoses, Black Lava Rock.

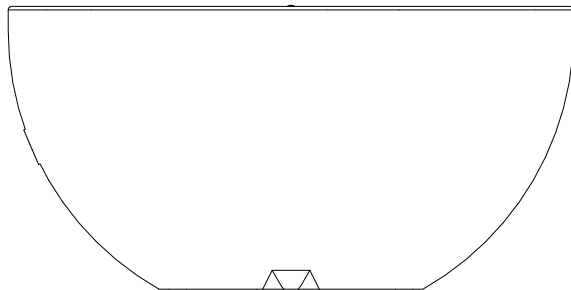
# 38" LUNA FIRE BOWL/FIRE PIT - GFRC CONCRETE



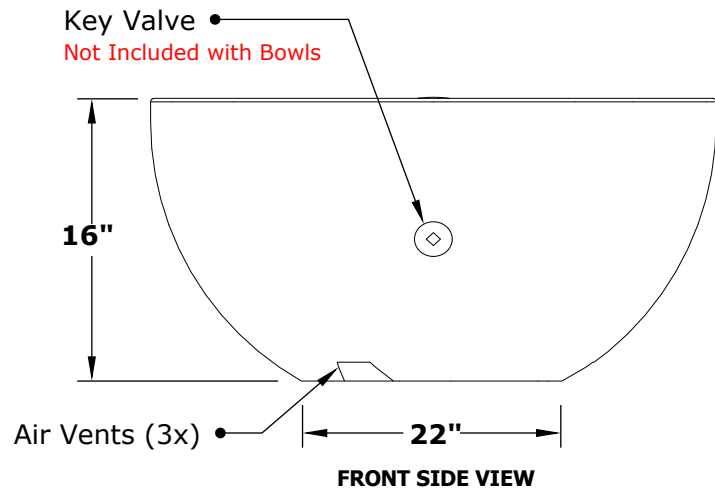
**ISOMETRIC VIEW**



**TOP VIEW**



**RIGHT SIDE VIEW**



**FRONT SIDE VIEW**

SKU	A	B	C	D	E	BTU
OPT-LUNFO30	30"	10"	15"	14"	2"	65,000
OPT-LUNFO30E12V	30"	10"	15"	14"	2"	65,000
OPT-LUNFO38	38"	12"	16"	22"	2.5"	65,000
OPT-LUNFO30E12V	38"	12"	16"	22"	2.5"	65,000
OPT-LUN30	30"	10"	15"	14"	2"	65,000
OPT-LUN30EKIT	30"	10"	15"	14"	2"	65,000
OPT-LUN38	38"	12"	16"	22"	2.5"	65,000
OPT-LUN38EKIT	38"	12"	16"	22"	2.5"	65,000

Fire Pit Material: GFRC Concrete  
 Finish: Smooth Finish  
 Pan Material: 304 Stainless Steel  
 Burner Material: 304 Stainless Steel

**12V ELECTRONIC IGNITION**  
 ANSI Z21.97-(2017) / CSA 2.41-(2017)



Includes: Pan, Burner, Key Valve, Whistle Free Hoses, Black Lava Rock.