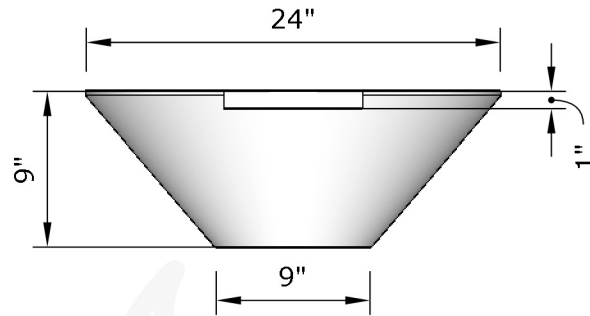


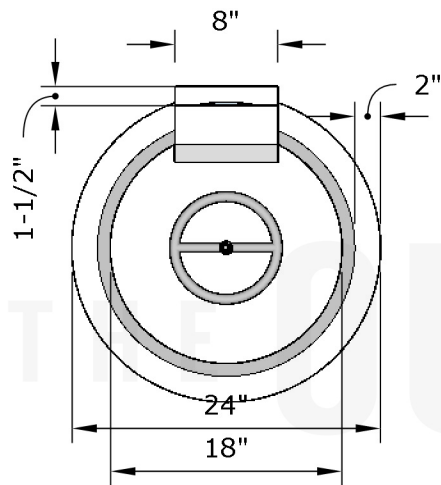
8" Burner

2. 8" Smooth Flow Radius Scupper

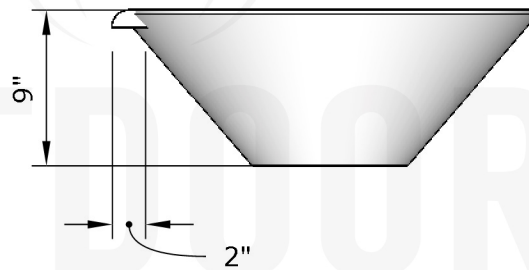
Replacement Part Numbers



FRONT



TOP



SIDE

Cazo - 24" Fire & Water Bowl

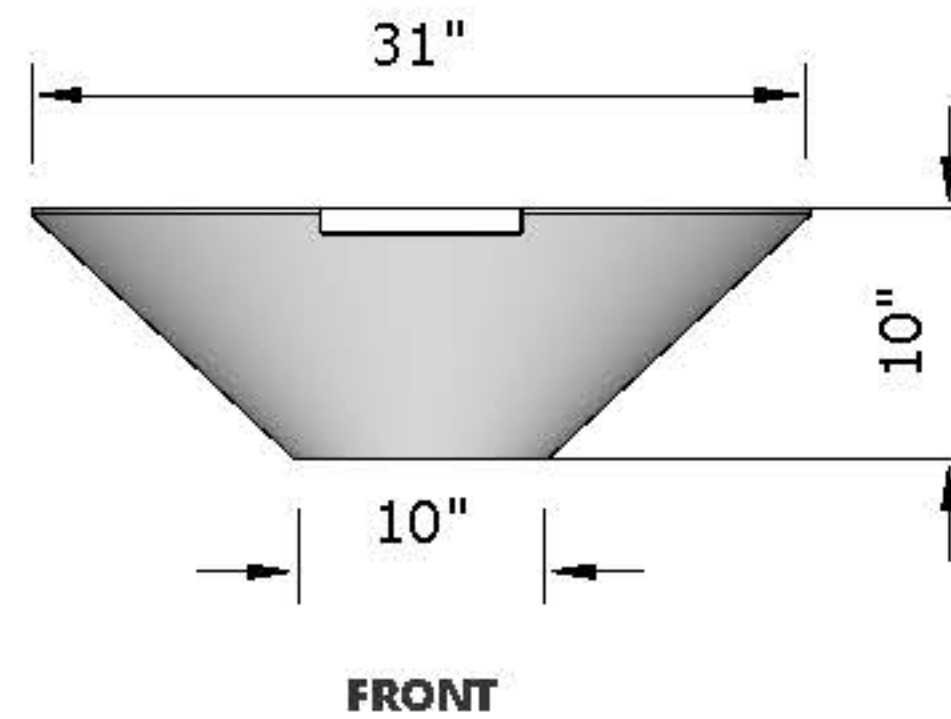
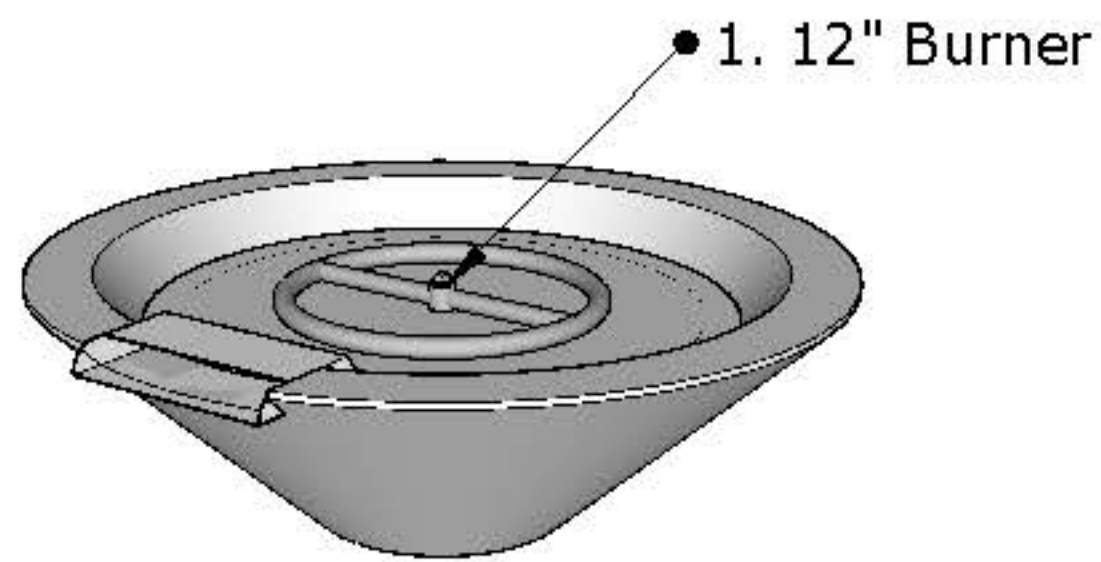
Page Number	1 of 1
Author: Bryant Uribe	4/13/2018
Approved By: Gabriel Estrada	4/13/2018

Part Number	OPT-24RFWM
Material	GFRC
Finishes	Black, Ash, Gray, Limestone, Chocolate, Brow, Vanilla
Gas Type	Natural Gas (-NG) or Liquid Propane (-LP)
Weight	150 - 160 lbs.
BTUs	55,000 - 65,000
Suggested Fire Glass	30 lbs.
Access Door	N/A

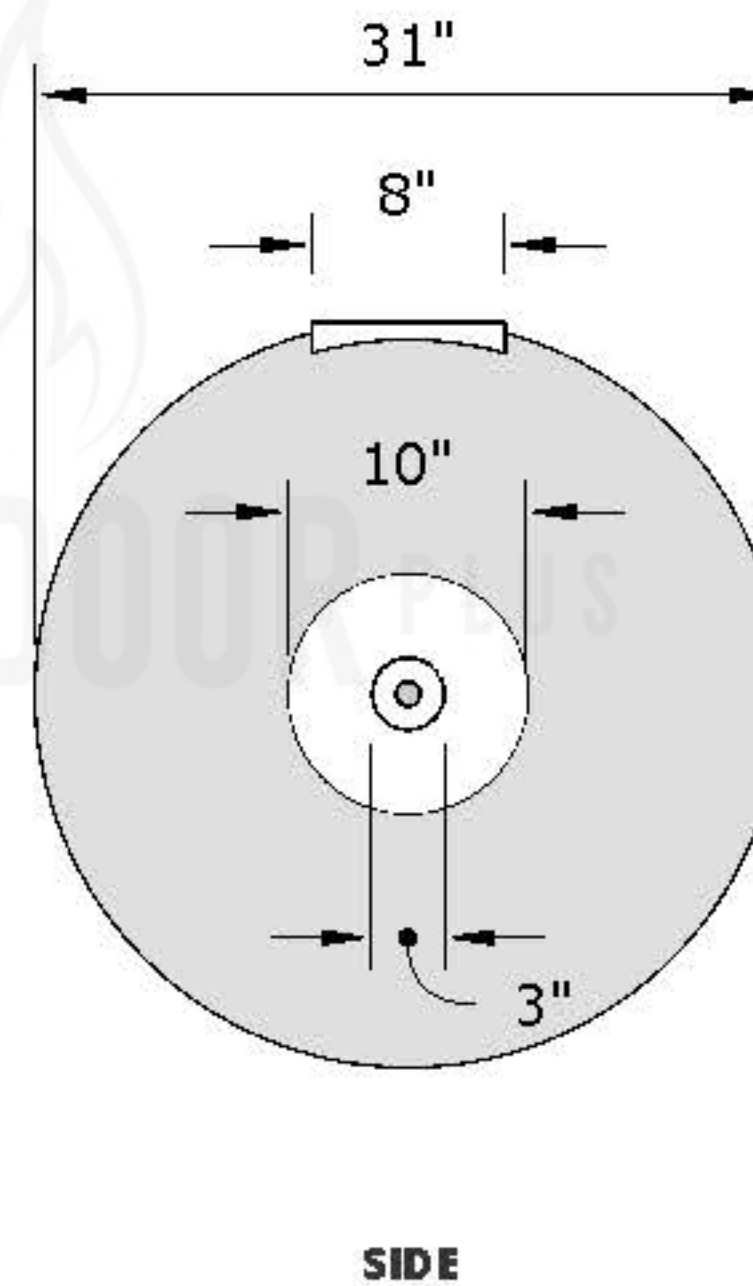
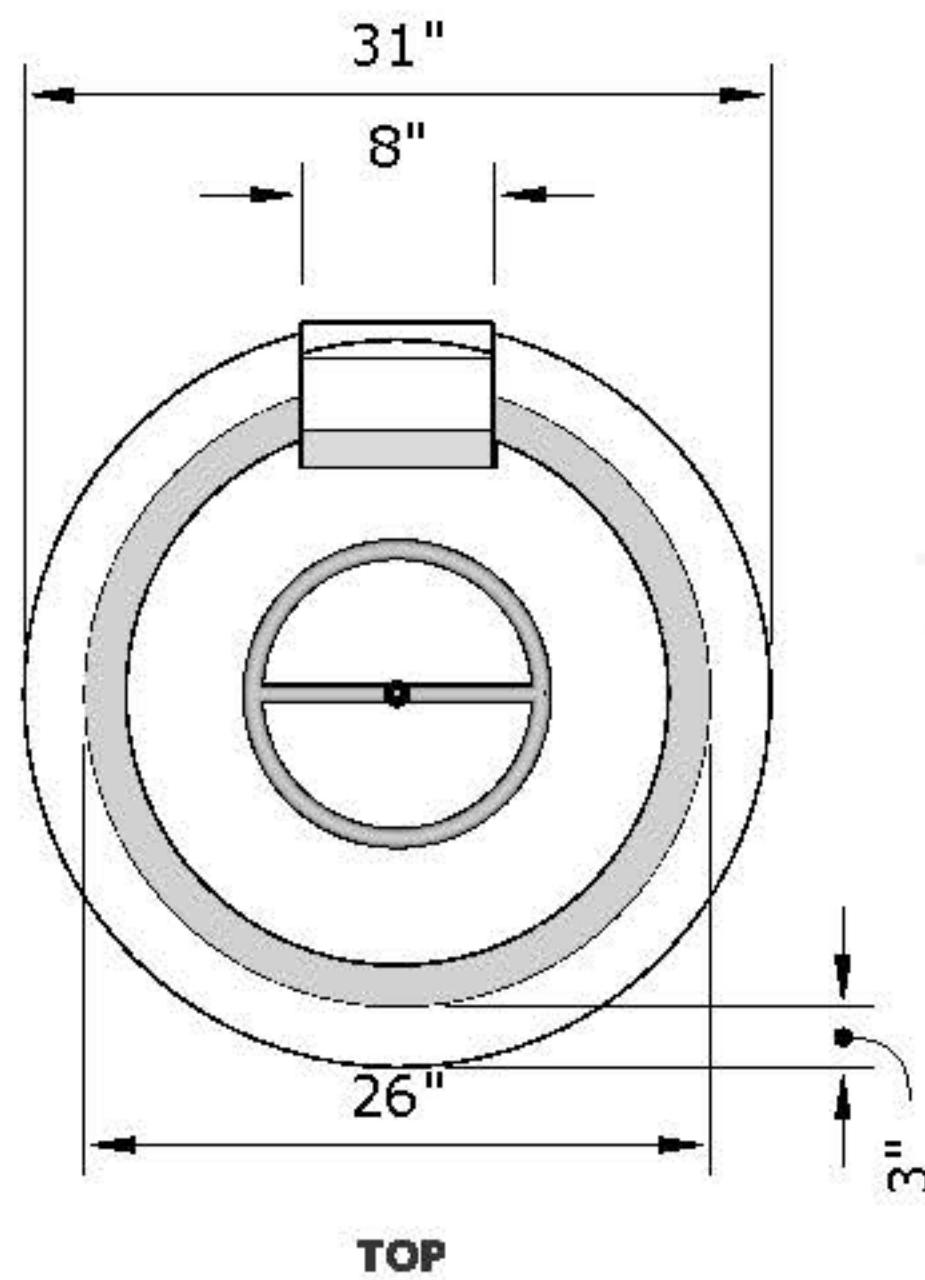
ITEM NO.	REPLACEMENT PART NUMBER	QTY.
1	OPT-158	1
2	OPT-SCFW	1

Proprietary & Confidential: The information contained in this drawing is the sole property of **The Outdoor Plus**. Any reproduction or as a whole without written permission of **The Outdoor Plus** is prohibited.





Replacement Part Numbers



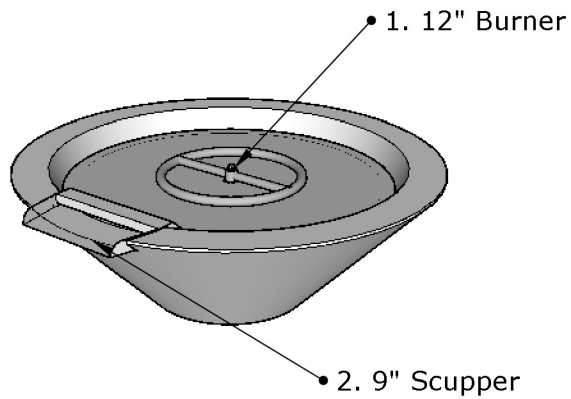
Cazo - 31" Fire & Water Bowl

Page Number	1 of 1
Author: Bryant Uribe	4/13/2018
Approved By: Gabriel Estrada	4/13/2018

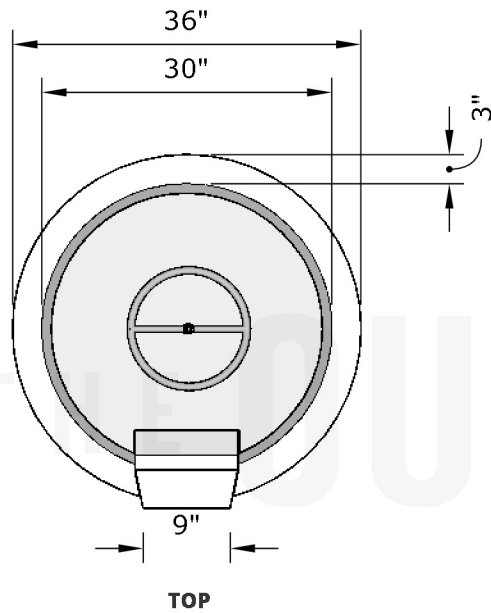
Part Number	OPT-31RFWM
Material	GFRC
Finishes	Black, Ash, Gray, Limestone, Chocolate, Brow, Vanilla
Gas Type	Natural Gas (-NG) or Liquid Propane (-LP)
Weight	175 - 185 lbs.
BTUs	65,000 - 90,000
Suggested Fire Glass	50 lbs.
Access Door	N/A

ITEM NO.	REPLACEMENT PART NUMBER	QTY.
1	OPT-159	1
2	OPT-SCFW	1

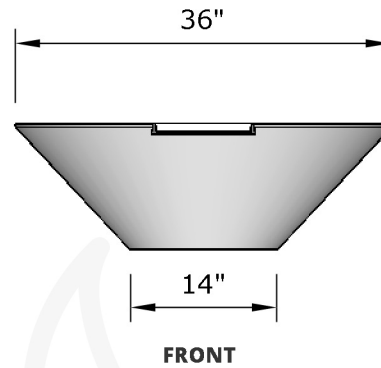
Proprietary & Confidential: The information contained in this drawing is the sole property of **The Outdoor Plus**. Any reproduction or as a whole without written permission of **The Outdoor Plus** is prohibited.



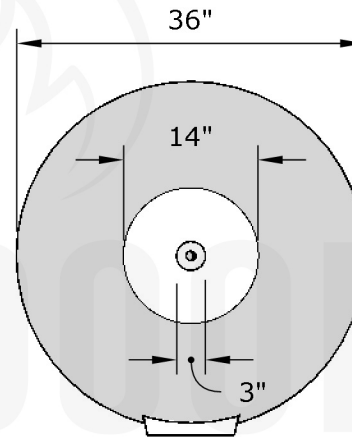
Replacement Part Numbers



TOP



FRONT



SIDE



Cazo - 36" Fire & Water Bowl

Page Number	1 of 1
Author: Bryant Uribe	4/13/2018
Approved By: Gabriel Estrada	4/13/2018

Part Number	OPT-36RFWM
Material	GFRC
Finishes	Black, Ash, Gray, Limestone, Chocolate, Brown, Vanilla
Gas Type	Natural Gas (-NG) or Liquid Propane (-LP)
Weight	200 - 210 lbs.
BTUs	65,000 - 90,000
Suggested Fire Glass	75 lbs.
Access Door	N/A

ITEM NO.	REPLACEMENT PART NUMBER	QTY.
1	OPT-159	1
2	OPT-SCFW	1

Proprietary & Confidential: The information contained in this drawing is the sole property of **The Outdoor Plus**. Any reproduction or as a whole without written permission of **The Outdoor Plus** is prohibited.