



## PondoVac 5

EN Operating instructions  
FR Notice d'emploi  
ES Instrucciones de uso



# IMPORTANT SAFETY INSTRUCTIONS

When using an electrical appliance, basic precautions should always be followed, including the following:



**READ ALL INSTRUCTIONS BEFORE USING (THIS APPLIANCE)**

## WARNING – To reduce the risk of fire, electric shock, or injury:

- Do not leave appliance when plugged in. Unplug from outlet when not in use and before servicing.
- Do not expose to rain, store indoors.
- Do not allow to be used as a toy. Close attention is necessary when used by or near children.
- Use only as described in this manual. Use only manufacturer's recommended attachments.
- Do not use with damaged cord or plug. If appliance is not working as it should, has been dropped, damaged, left outdoors, or dropped into water, return it to a service center.
- Do not pull or carry by cord, use cord as a handle, close a door on cord, or pull cord around sharp edges or corners. Do not run appliance over cord. Keep cord away from heated surfaces.
- Do not unplug by pulling on cord. To unplug, grasp the plug, not the cord.
- Do not handle plug or appliance with wet hands.
- Do not put any object into openings. Do not use with any opening blocked; keep free of dust, lint, hair, and anything that may reduce air flow.

Keep hair, loose clothing, fingers, and all parts of body away from openings and moving parts.

- Turn off all controls before unplugging.
- Use extra care when cleaning on stairs.
- Do not use to pick up flammable or combustible liquids, such as gasoline, or use in areas where they may be present.

- Connect to a properly grounded outlet only. See Grounding Instructions.
- Unplug before connecting hose and accessories
- Do not pick up anything that is burning or smoking, such as cigarettes, matches, or hot ashes.
- Do not use without dust bag and/or filters in place.

## SAVE THESE INSTRUCTIONS

For household use only

### GROUNDING INSTRUCTIONS

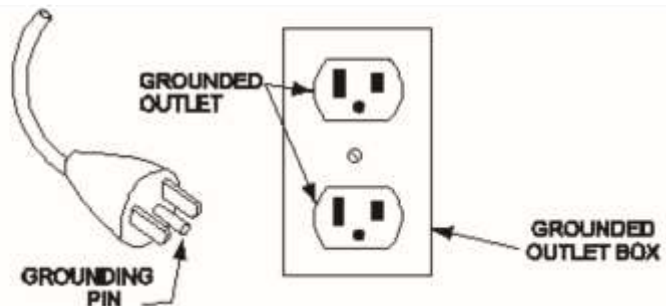
This appliance must be grounded. If it should malfunction or breakdown, grounding provides a path of least resistance for electric current to reduce the risk of electric shock. This appliance is equipped with a cord having an equipment-grounding conductor and grounding plug. The plug must be inserted into an appropriate outlet that is properly installed and grounded in accordance with all local codes and ordinances.

**WARNING** – Improper connection of the equipment-grounding conductor can result in a risk of electric shock. Check with a qualified electrician or service person if you are in doubt as to whether the outlet is properly grounded. Do not modify the plug provided with the appliance – if it will not fit the outlet, have a proper outlet installed by a qualified electrician.

This appliance is for use on a nominal 120-V circuit and has a grounding attachment plug that looks like the plug illustrated in sketch A. Make sure that the appliance is connected to an outlet having the same configuration as the plug. No adaptor should be used with this appliance.

 EARTH (GROUND)  
symbol

 ALTERNATING CURRENT  
symbol

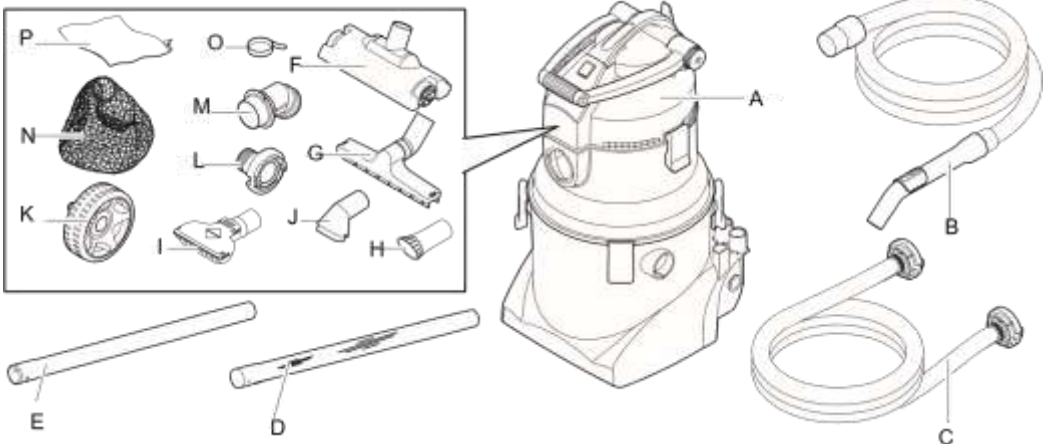


**REMINDER**

CALL 1-866-627-3435

BEFORE RETURNING TO STORE.

Part	Description	QTY
A	Multi-purpose vacuum cleaner PondoVac 5	1
B	Suction hose with handle	1
C	Discharge hose	1
D	Extension tube	1
E	Extension tube, transparent	1
F	Surface cleaning nozzle - For cleaning large, smooth surfaces	1
G	Wet suction nozzle - For removing dirty or residual water for operation as a wet vacuum cleaner	1
H	Algae nozzle - For separating and removing string algae	1
I	Universal nozzle - For removing pond sludge without vacuuming up the pond gravel	1
J	Brush nozzle - For removing stubborn dirt	1
K	Wheel	2
L	Storz coupling type C	1
M	Intake distributor	1
N	Debris collection bag	1
O	Velcro tape for debris collection bag	1
P	Fine filter bag	1

**Information about these operating instructions**

Welcome to OASE Living Water. You made a great choice with the purchase of this product **PondoVac 5**. Prior to operating the unit, please read the instructions of use carefully and fully familiarize yourself with the unit. Ensure that all work on and with this unit is only carried out in accordance with these instructions. Please strictly follow the enclosed

**Questions, problems, missing parts?**

Before returning to your retailer, call us at 1-866-627-3435, 8 a.m.-6 p.m., EST, Monday-Friday, or email us at [customer@oase-livingwater.com](mailto:customer@oase-livingwater.com). Or visit our website at [www.oase-livingwater.com](http://www.oase-livingwater.com) 3

instructions to ensure safe and correct handling of the product. Keep these instructions in a safe place. Please also hand over the instructions when passing the unit on to a new owner.

## **WARNINGS AND CAUTIONS SYMBOLS**

### **Symbols used in these instructions**

The symbols used in this operating manual have the following meanings:



Risk of injury to persons due to dangerous electrical voltage.

This symbol indicates an imminent danger, which can lead to death or severe injuries if the appropriate measures are not taken.



Risk of personal injury caused by a general source of danger.

This symbol indicates an imminent danger, which can lead to death or severe injuries if the appropriate measures are not taken.



Important information for trouble-free operation.

### **WARNING**



Risk of electric shock – This pump is supplied with a grounding conductor and grounding-type attachment plug. To reduce the risk of electric shock, be certain that it is connected only to a properly grounded, grounding-type receptacle.

## **Product Description**

PondoVac 5 is a multi-purpose vacuum cleaner for cleaning garden ponds and pools.

It is also suitable for use as a wet vacuum cleaner in the home. The PondoVac5 is not an outdoor product. It is only used from time to time outdoors.

## **Function description**

The vacuum cleaner is used for removing sludge from ponds/pools via the suction hose and collecting it in the tank.

The suction power can be regulated with the slide in the suction hose handle.

The debris collection bag in the vacuum cleaner tank collects coarse particles, thereby preventing the discharge pump from becoming clogged. Should the suction capacity decrease, it is necessary to clean the debris collection bag. The discharge pump continuously pumps the dirty water out of the tank via the discharge hose.

The float in the filter support basket protects the vacuum head from the ingress of water. Clean the foam

filter regularly to ensure perfect function of the vacuum cleaner. Ensure that the float can move freely.

Protective function of the float:

- If the dirty water level in the tank rises inadmissibly, the float closes the intake in the vacuum head and switches the vacuum head off.
  - If the float unblocks the intake within 15 s, the vacuum head will switch on automatically. Otherwise the vacuum cleaner will switch off completely and a warning signal will sound.
  - If the float closes the intake three times within 60 s, the vacuum cleaner will switch off completely and a warning signal will sound.
  - The vacuum cleaner may only be restarted by switching it off and on after remedy of the malfunction.

## **Intended use**

PondoVac 5, referred to in the following as “unit”, may only be used as specified in the following:

- For pond sludge removal.
- For cleaning ponds and pools.
- Only operate the vacuum cleaner with the debris collection bag in place.
- Operation under observance of the technical data.
- Do not use for commercial or industrial purposes. The following restrictions apply to the unit:
  - Never run the unit without water.
  - The debris/dirt must contain at least 20 % water.
  - Only operate with water at a water temperature of 39.2°F to 95 °F. • Never use the unit to convey fluids other than water.
  - Do not use as a dry vacuum cleaner.

- Do not use in conjunction with chemicals, foodstuff, easily flammable or explosive substances.
- Do not transport the vacuum cleaner when it is filled.

### Safety information

This unit can be used by children aged 8 and above and by persons with reduced physical, sensory or mental capabilities or lack of experience and knowledge if they are supervised or have been instructed on how to use the unit in a safe way and they understand the hazards involved.

Do not allow children to play with the unit.

Only allow children to carry out cleaning and user maintenance under supervision.

### Hazards encountered by the combination of water and electricity

- The combination of water and electricity can lead to death or severe injury from electrocution, if the unit is incorrectly connected or misused.
- Prior to reaching into the water, always switch off the mains voltage to all units used in the water.

### Electrical connection

- The device may only be connected if the electrical data of the device and the power supply coincide. The device data is to be found on the device type plate, on the packaging or in this manual.
- Ensure that the unit is fused for a rated fault current of max. 30 mA by means of a fault current protection device.
- Extension cables and power distributors (e.g. outlet strips) must be suitable for outdoor use (splash-proof).
- Only connect the unit to a correctly fitted socket.
- For your own safety, please consult a qualified electrician.

### Safe operation

Do not operate or leave the unit in the rain.

Minimum safety distance between the unit and the water: 6.6 ft.

Only operate the unit if no persons are in the water.

Never operate the unit if either the electrical cables or the housing are defective!

Do not carry or pull the unit by its electrical cable.

Route cords/hoses/lines in a way that they are protected against damage, and ensure that they do not present a tripping obstacle.

Only open the unit housing or its attendant components, when this is explicitly required in the operating instructions.

Only execute work on the unit that is described in this manual. If problems cannot be overcome, please contact an authorized customer service point or, when in doubt, the manufacturer. Only use original spare parts and accessories for the unit.

Never carry out technical modifications to the unit.

### Opening/closing the tank

**Attention! Dangerous electrical voltage.**



### Questions, problems, missing parts?

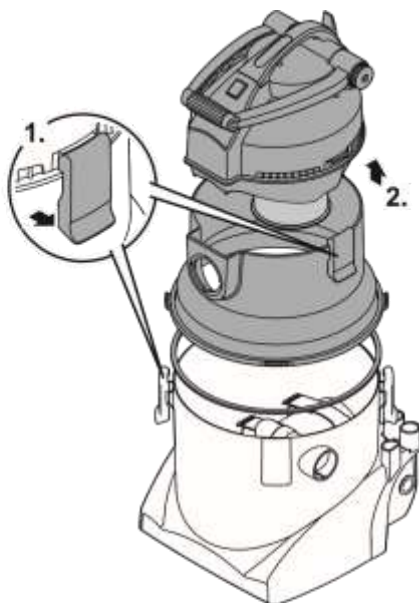
Before returning to your retailer, call us at 1-866-627-3435, 8 a.m.-6 p.m., EST, Monday-Friday, or email

us at [customer@oase-livingwater.com](mailto:customer@oase-livingwater.com). Or visit our website at [www.oase-livingwater.com](http://www.oase-livingwater.com) 5

**Possible consequences:** Death or severe injury.

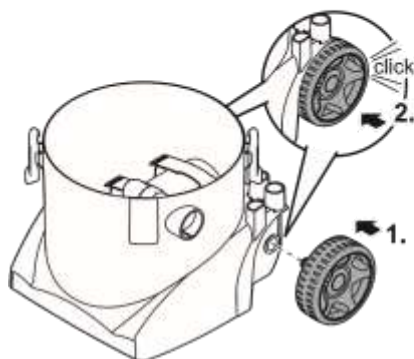
**Protective measures:** Prior to commencing work, disconnect the unit from the mains.

1. Release the locking clips.
  - To do this, grip the clips from underneath and pull upwards.
2. Lift off the vacuum head and the adapter ring.
  - The vacuum head and adapter ring can be removed separately.
  - The plug connector for the discharge pump does not need to be disconnected.
- Assemble the parts in the reverse order and fasten with the locking clips.
  - Ensure that the parts are precisely aligned in relation to each other.
  - Ensure that the seal on the adapter ring is correctly seated so that it is not damaged during assembly.



### Assembling the vacuum cleaner Fitting the wheels

1. Insert the wheel into the wheel bush.
2. Firmly push the wheel until it locks into place.

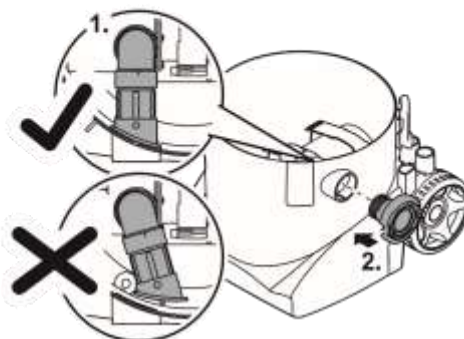


**Fitting the outlet** Prerequisite: The tank is open.

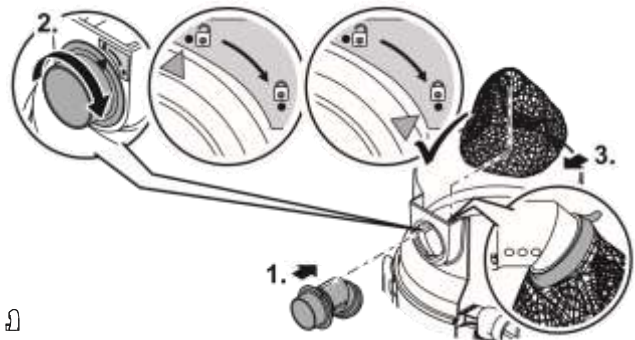
1. Check the correct seating of the adapter with non return valve.
  - Ensure that the adapter is locked into place in the tank wall.
2. Screw the Storz coupling type C onto the outlet and hand-tighten.

### Fitting the inlet

Prerequisite: The tank is open



1. Insert the intake distributor into the opening.
  - Guide the pins on the intake distributor through the notches of the opening
2. Twist the intake distributor to lock it into place ( bayonet closure ).
  - Ensure that the outlet of the intake distributor in the tank is angled downwards.
3. Fit the debris collection bag onto the intake distributor in the tank.
  - Ensure that the elastic of the debris collection bag is seated in the groove of the intake distributor.
  - Secure the debris collection bag with the Velcro tape.



## Installation and connection



**Attention! Dangerous electrical voltage.**

**Possible consequences:** Death or serious injuries due to operation of electrical units or installations in or near ponds/pools.

**Protective measures:**

- Set up the unit at least 6.6 ft. away from the pond/pool.
- Ensure that the ground under the unit is firm and horizontal so that the unit cannot tip over

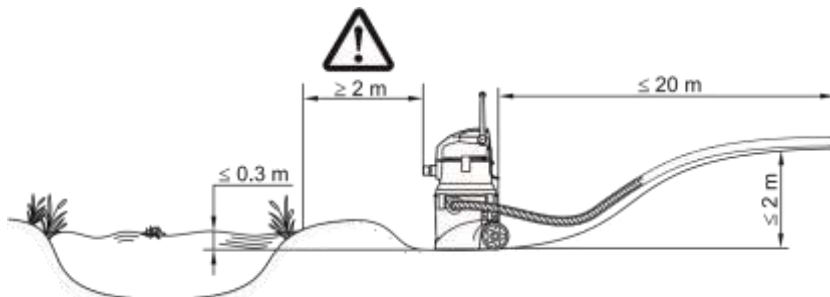


**Note!**

The vacuum cleaner can be set up and operated in a position that is up to 1 ft. lower than the water level

**Possible consequences:** When the vacuum cleaner is switched off, the water will automatically flow through the tank while the suction hose remains in the pond/pool. The pond/pool will be emptied.

**Remedy:** Always take the suction hose out of the pool/pond when the vacuum cleaner is switched off

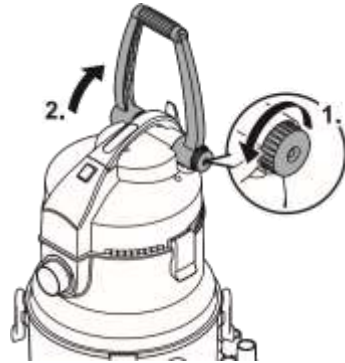


## Adjusting the transport brace

### Questions, problems, missing parts?

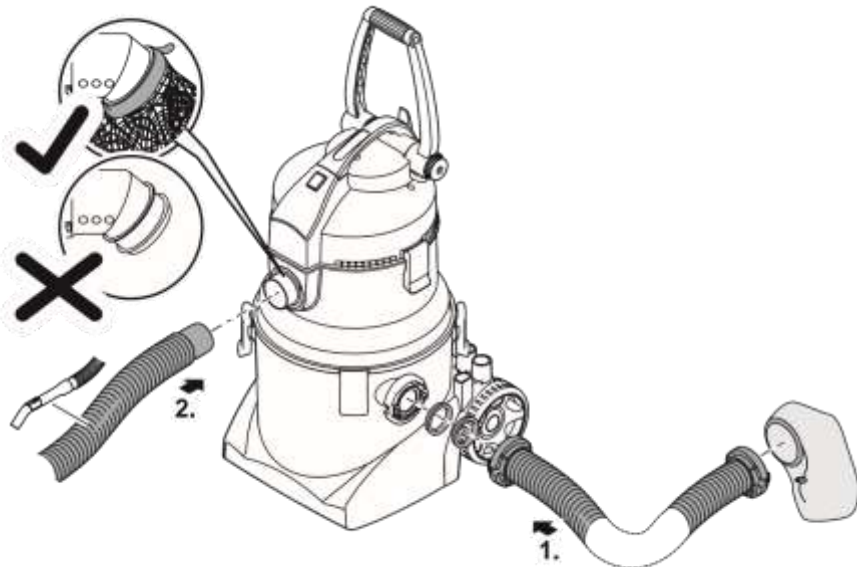
Before returning to your retailer, call us at 1-866-627-3435, 8 a.m.-6 p.m., EST, Monday-Friday, or email us at [customer-care@oase-livingwater.com](mailto:customer-care@oase-livingwater.com). Or visit our website at [www.oase-livingwater.com](http://www.oase-livingwater.com) 7

1. Undo the locking screw.
2. Move the transport brace into the desired position.
3. Hand-tighten the locking screw.



### Connecting the hoses and nozzles

1. Attach the discharge hose to the outlet and twist it clockwise (bayonet closure).
  - If only coarse dirt particles >1 mm (e.g. leaves or hair) are to be removed, you can allow the waste water to flow back into the pond / pool via the fine filter bag.
  - Do not allow muddy water to flow back into the pond / pool.
2. Attach the suction hose to the inlet.
3. Fit extension tubes and the desired nozzle to the suction hose with handle.
  - Universal nozzle: For removing pond sludge without vacuuming up the pond gravel.
  - Algae nozzle: For separating and removing string algae.
  - Brush nozzle: For removing stubborn dirt.
  - Surface cleaning nozzle: For cleaning large, smooth surfaces.
  - Wet suction nozzle: For removing dirty or residual water for operation as a wet vacuum cleaner



#### Note!

- The more tubes that are used, the higher the tube frictional resistance. This leads to a reduction of the suction capacity.
  - Set up the vacuum cleaner on ground that is not much higher than the water level so as not to impair the suction capacity
- The following conditions must be met:
- Allow the dirty water to drain out into a drain or far enough away from the pond to ensure that it cannot flow back into the pond.
  - Completely unwind the power and extension cable.
    - Ensure that the cables are not bundled together or coiled up.

### Operation

- Switch on the vacuum cleaner at the power switch.
  - Position I: Power ON.



- Position 0: The unit is switched OFF
- The suction power can be adjusted with the slide in the suction hose handle.
  - To increase the suction: Move the slide forwards.
  - To reduce the suction: Move the slide backwards.
- Clean the vacuum cleaner after each use.
  - Recommendation: Vacuum up clean water before cleaning. This will wash out the dirt particles.

**Note!**

- The vacuum cleaner and seals will be subjected to excessive strain if the vacuum cleaner is moved when the tank is full.
- Empty the tank before moving the vacuum cleaner.

**Maintenance and cleaning**

**Attention! Dangerous electrical voltage.**

**Possible consequences:** Death or severe injury.

**Protective measures:** Prior to commencing work, disconnect the unit from the mains.

**Cleaning the container**

Prerequisite: The tank is open.

- Clean the debris collection bag under running water.
- Clean the following parts with clean water and a soft brush:
  - Intake distributor
  - Discharge pump
  - Storz coupling type C: Regularly clean seals, including that of the Storz coupling type C hoses. Soiled seals are subject to increased wear, leading to leaks.
  - Inside of the tank

Recommendation: Place the vacuum head next to the unit (do not open the plug connectors), lay the tank on the ground and rinse out with running water.

**Cleaning the debris collection bag**

Prerequisite: The tank is open.

1. Release the Velcro tape of the debris collection bag.
2. Pull the elastic of the debris collection bag from the intake distributor.
3. Remove and empty the debris collection bag.
  - Undo the zip on the debris collection bag to facilitate emptying.
  - Close the zip after emptying.

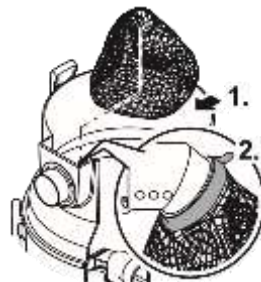
reverse order.

- Secure the debris collection bag with the Velcro tape

**Cleaning the foam filter**

Prerequisite: The tank is open.

1. Release the filter cover (bayonet closure).

**Questions, problems, missing parts?**

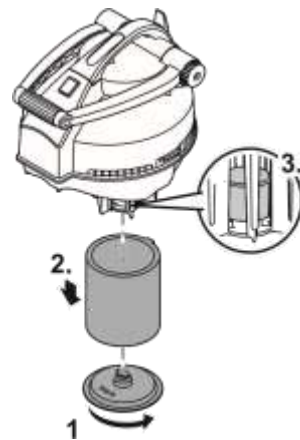
Before returning to your retailer, call us at 1-866-627-3435, 8 a.m.-6 p.m., EST, Monday-Friday, or email us at [customer@oase-livingwater.com](mailto:customer@oase-livingwater.com). Or visit our website at [www.oase-livingwater.com](http://www.oase-livingwater.com) 9

2. Pull off the foam filter and clean with clean water and a soft brush. 3.

Check the function of the float and clean if necessary.

- Ensure that the float can move freely and easily.

4. Assemble the parts in the reverse order.



### Cleaning the non-return valve

Prerequisite: The tank is open 1. Unscrew the Storz coupling type C.

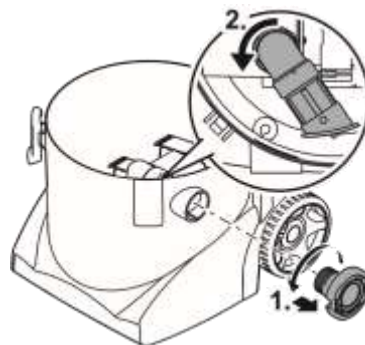
2. Turn the adapter away to the side.

3. Unscrew the adapter.

4. Remove the non-return valve.

5. Clean all parts with clean water and a soft brush.

6. Reassemble the parts in the reverse order. ○ Important: Ensure that the non-return valve is inserted such that the valve opens in the direction of the outlet



### Removing/cleaning the pump

Prerequisite: The tank is open.

1. Unscrew the plug connection and pull apart.

- Protect the open plug connection from moisture.

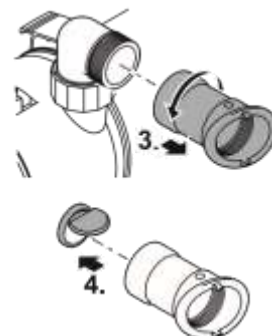
2. Unscrew the Storz coupling type C.

3. Turn the adapter away to the side.

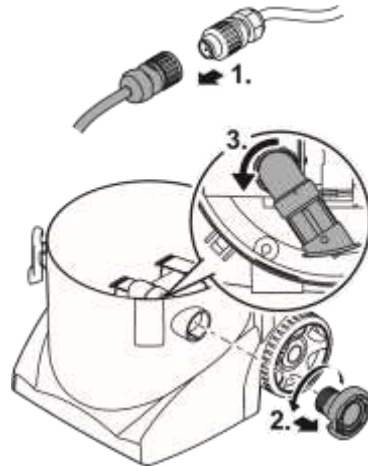
4. Remove the transport protection.

5. Carefully bend open the retaining brace with the tab to release.

6. Remove the discharge pump and clean or replace if defective.



7. Cleaning the discharge pump:
  - Undo the screws on the pump casing and remove the protection grid.
  - Clean the protection grid and pump casing on the inside and outside with clear water and a soft brush.
  - Remove soiling from the impeller unit, turning the impeller unit by hand to access all soiled points.
8. Reassemble the parts in the reverse order.
  - The transport protection only needs to be fitted for shipping or horizontal transport of the unit.



### Wear parts

The following components are wear parts and are excluded from the warranty:

Foam filter, Debris collection bag, Seals, Wheels, Non-return valve, and the Impeller unit

### Storage/Winterization

- When not in use, unit must be stored.
  - Drain the unit as far as possible, clean thoroughly and check for damage.
  - Empty all hoses, pipes and connections as far as possible.
  - Store the unit in a dry and frost-free place, inaccessible to children.

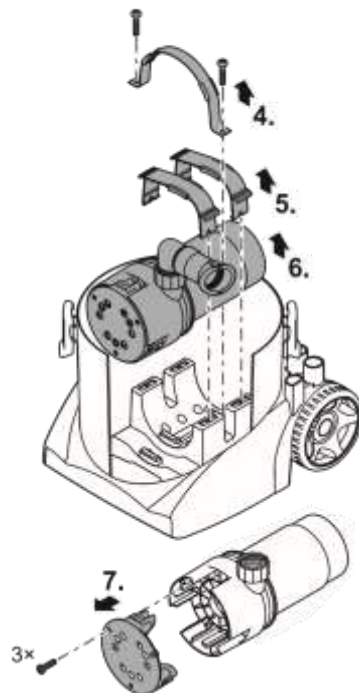
### Spare parts

The use of original parts from OASE ensures continued safe and reliable operation of the unit. Please visit our website for spare parts drawings and spare parts

### Disposal



Do not dispose of this unit with domestic waste! Disable the unit beforehand by cutting off the cables. Further information about the recycling of this product can be obtained from your local municipal authority.



### Troubleshooting

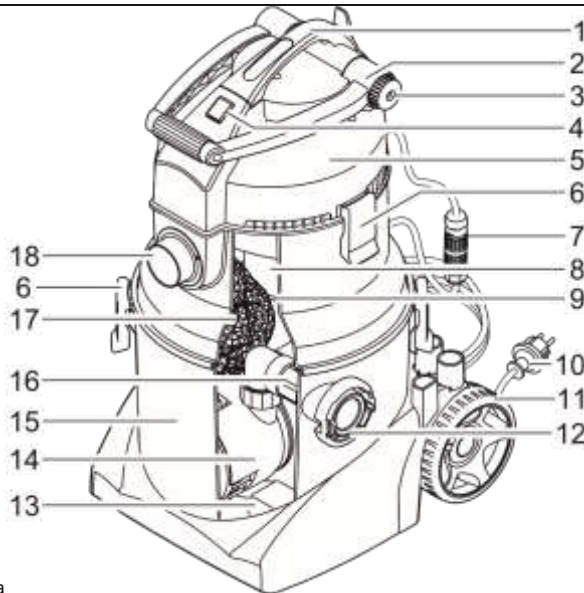
#### Questions, problems, missing parts?

Before returning to your retailer, call us at 1-866-627-3435, 8 a.m.-6 p.m., EST, Monday-Friday, or email us at [customercaire@oase-livingwater.com](mailto:customercaire@oase-livingwater.com). Or visit our website at [www.oase-livingwater.com](http://www.oase-livingwater.com) 11

Issue	Cause	Solution
The unit does not switch on	No mains voltage	Switch on mains voltage
	Pump housing, discharge hose or non-return valve clogged.	Remove dirt
	Defective pump	Replace the pump.
	Plug connector of the pump cable open	Close the plug connector.
	Moisture in the plug connector of the pump cable	Open the plug connector and allow it to dry.
	Discharge hose is too high up.	Route the discharge hose in a lower position ( max. 6.6 ft.above the base of the unit )
The unit cannot be switched on, a warning signal has sounded.	The water level in the tank is too high. <ul style="list-style-type: none"> <li>The float in the vacuum head has closed the intake for longer than 15 s.</li> <li>The float in the vacuum head has closed the intake three times within 60 s.</li> </ul>	Clean the tank. • Ensure that the float can move freely. To reset the malfunction: Switch off the unit and then switch it on again
Water vapor is escaping from the unit.	In cold weather condensate forms in the unit, which is released in the form of water vapour	This is normal. No remedy necessary
No suction or reduction in suction	No mains voltage	Check the mains voltage
	Excessive height difference between water level and unit	Set up the vacuum cleaner on ground that is not much higher than the water level
	Debris collection bag is full	Empty the debris collection bag.
	Dirt clogging the foam filter, suction tube or suction hose	Remove dirt.
	Non-return valve jammed or soiled	Clean
Low suction capacity	Slide on the suction handle is open	Close the slide on the suction handle
	Increased tube friction resistance	Keep the suction hose as short and flat as possible.
	Excessive suction depth Due to the design the suction capacity reduces from a suction depth of 2 m.	Reduce the suction depth
The tank is not emptying, the vacuum head keeps switching off.	<ul style="list-style-type: none"> <li>Discharge hose kinked</li> <li>The discharge hose is too high (max. 6.6 ft. higher than the unit).</li> <li>The discharge hose is too long (65 ft.).</li> </ul>	Route the discharge hose correctly.
	Discharge hose or non-return valve clogged with dirt	<ul style="list-style-type: none"> <li>Remove dirt from the discharge hose.</li> <li>Clean the non-return valve.</li> </ul>
	The discharge pump is clogged.	<ul style="list-style-type: none"> <li>Clean the discharge pump.</li> <li>Clean the non-return valve</li> </ul>

Part	Description
1	Transport handle
2	Transport brace
3	Locking screw for fastening the transport brace
4	Power switch - For switching the vacuum cleaner on and off
5	Vacuum head
6	Locking clips (6 x)
7	Plug connector (designed to prevent misconnection) for connecting the pump
8	Foam filter - Protects the electronics in the vacuum head from the ingress of dirt particles.

9	Filter support basket - The integrated float protects the electronics from the ingress of water if the maximum water level is exceeded.
10	Power cable with power plug
11	Wheel (2x)
12	Outlet (pressure socket) with Storz coupling type C
13	Pump base
14	Discharge pump
15	Tank
16	Adapter with non-return valve - The non-return valve prevents water running back via the discharge hose.
17	Debris collection bag
18	Inlet (suction socket)


**Questions, problems, missing parts?**

Before returning to your retailer, call us at 1-866-627-3435, 8 a.m.-6 p.m., EST, Monday-Friday, or email us at [customer care@oase-livingwater.com](mailto:customer care@oase-livingwater.com). Or visit our website at [www.oase-livingwater.com](http://www.oase-livingwater.com) 13



OASE North America INC. · [www.oase-livingwater.com](http://www.oase-livingwater.com)