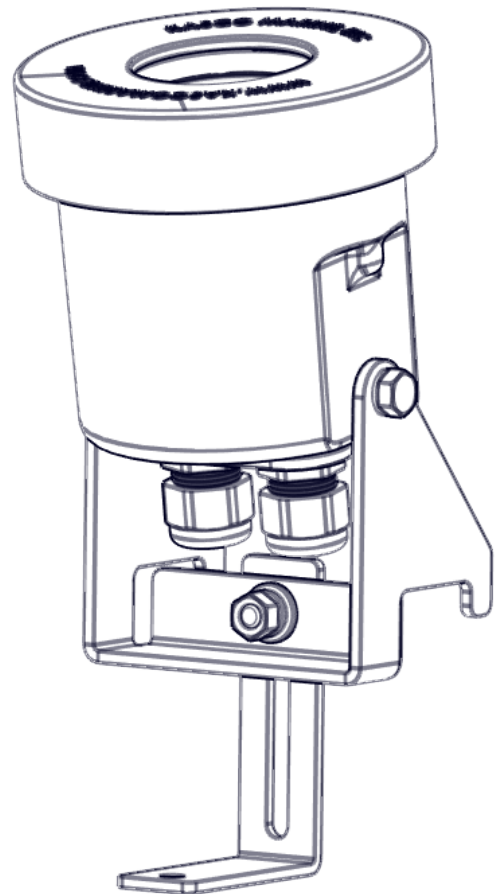




MOVING WATER FORWARD, SINCE 1968

**LED4S19**  
**Universal**  
**Stainless Steel**  
**WaterGlow**  
**Lighting**



**Operation &**  
**Maintenance**  
**Manual**



Document number 884055  
Document version 2021.2.1

800 Deere Rd. Prescott, WI 54021 | 715.262.4488 | sales@kascomarine.com | kascomarine.com

# TABLE OF CONTENTS

Safety First.....	2
Tools Required .....	2
Parts Included .....	3
Universal Mounting Instructions .....	4
Warranty .....	6
Repair .....	7
Repair Contact Form .....	8

## QUESTIONS?



715.262.4488




[kascomarine.com](http://kascomarine.com) | [sales@kascomarine.com](mailto:sales@kascomarine.com)

# SAFETY FIRST

Please read and follow these important instructions to help ensure your safety and the quality performance of your Kasco equipment.

- LEDS19 kit is 120Vac and **MUST** be plugged into a GFCI protected receptacle or GFCI protected field terminal connections.
- LEDS19 fixtures **MUST** be properly submerged (to mark on housing) to avoid overheating; **insufficient submersion or operation out of water will damage fixtures and void warranty.**
- Use caution when dealing with any electrical and/or moving equipment.
- **Under NO CIRCUMSTANCES should anyone enter the water with the electrical equipment plugged in and/or in operation.**
- Kasco WaterGlow lighting kits are intended for use with a Listed control panel having a GFCI protected receptacle, or field wiring terminals and disconnect switch, or a timer with a disconnect for use with a GFCI receptacle. They are intended to be mounted on a floating fountain or aerator for use in a natural or man-made body of water to comply with NEC Article 682.
- Kasco WaterGlow lighting kits have not been evaluated for use in swimming pools, spas or stationary fountains.
- Use extreme caution around water, especially cold water, as in spring, fall, and winter, which poses a hazard in and of itself.
- **NEVER** lift or drag the equipment by the power cords. If you need to pull the unit to the side of the pond, use the anchoring ropes.
- Do not use boats that tip easily for lighting kit installation and follow all boating safety rules and regulations, including wearing a PFD (Personal Flotation Device). Do not use waders in deep ponds/lakes or ponds/lakes with drop-offs, drastic slopes, or soft bottom material.
- For more information regarding your control panel instructions, refer to your equipment owner's manual. A control panel must be installed a minimum of 5 feet (3m in Canada) from the body of water unless separated from the body of water by a fence, wall, or other permanent barrier that will make the unit inaccessible to persons in the water. A complete list of control panels can be found in the Accessories section of [kascomarine.com](http://kascomarine.com).

**Warning:** When using the universal mounting bracket assembly, ensure the WaterGlow fixtures are mounted properly to provide cooling of the fixture. Typically, the bottom half of the fixture should be submerged. Recheck the fixture elevation with the fountain/aerator in operation. Assembly to your fountain/aerator float will be as illustrated on the next page. Make adjustment to the fixture elevation to ensure the fixture is properly submerged when the fountain/aerator is in operation.

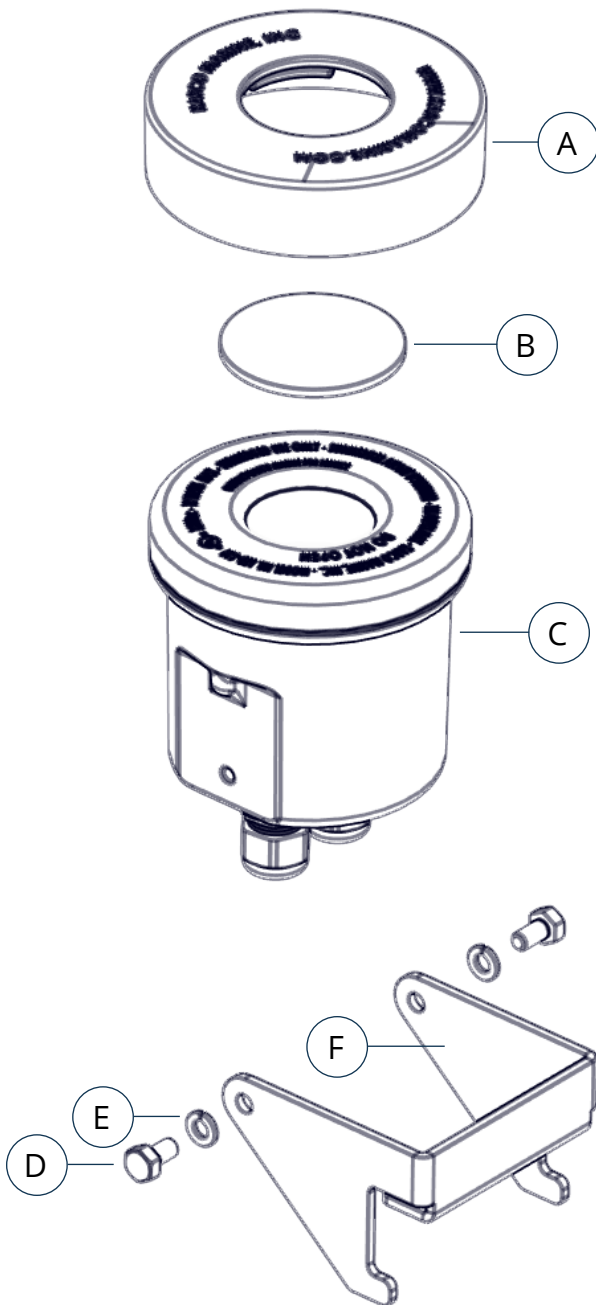
**NOTE**  Many fountain/aerator floats will drop lower in the water when running.

## TOOLS REQUIRED



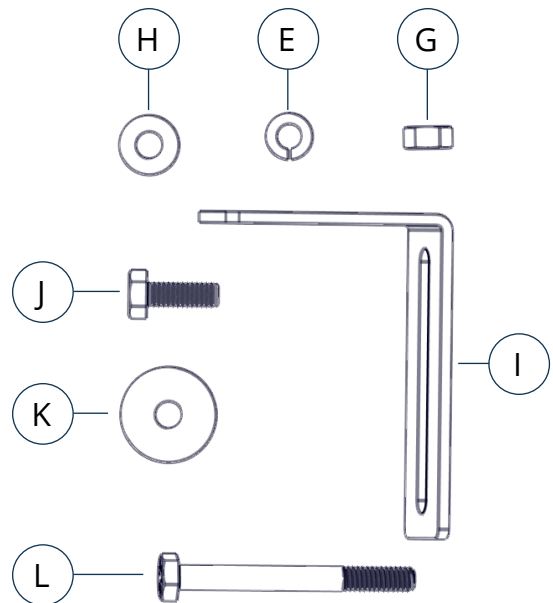
7/16" socket and driver or combination wrench

# PARTS INCLUDED



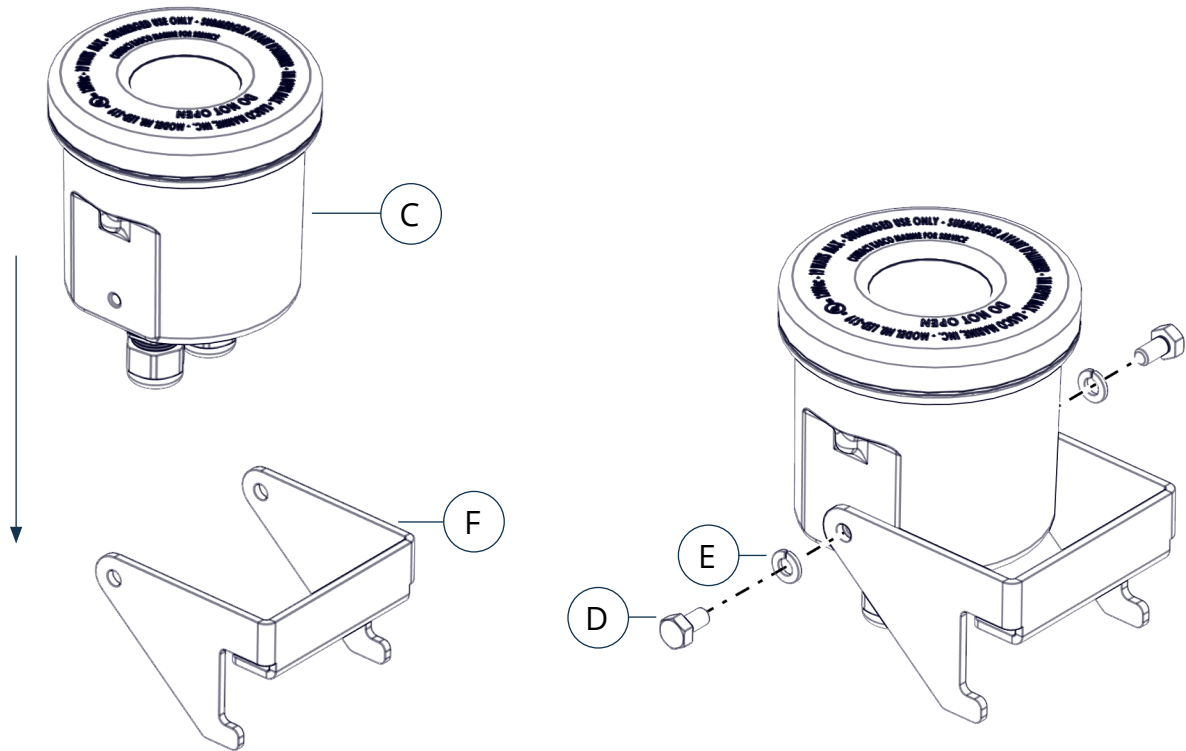
ID	Description	Qty	Part No.
A	Lens cap, S19	4	346090
B	Colored lens kit (4 colors)	1	345559
C	LEDS19 fixture	4	LEDS19
D	1/4"-20 x 1/2" hex screw	8	451126
E	1/4" lock washer	16	840537
F	S19 Bracket	4	346069
-	Cable tie (not shown)	17	415038
Universal Mounting Hardware			
G	1/4"-20 hex nut	8	840536
H	1/4", 5/8 O.D. flat washer	4	258476
I	Universal mounting bracket	4	345060
J	1/4"-20 x 3/4" hex screw	4	840539
K	1/4" fender washer	4	144114
L	1/4"-20 x 2-1/2" hex screw	4	345048

## Universal Mounting Hardware

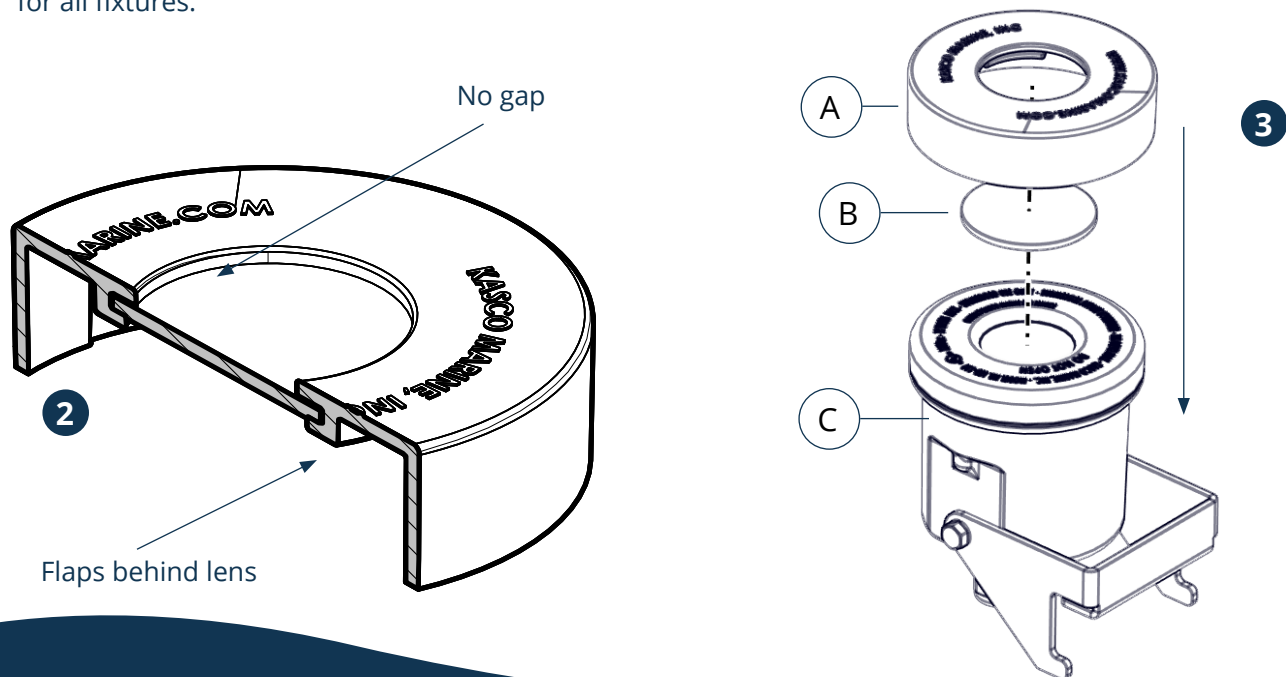


# UNIVERSAL MOUNTING INSTRUCTIONS

1. Attach the S19 bracket (F) to the light fixture (C) by using two 1/4"-20 x 1/2" hex screws (D) on either side in combination with 1/4" lock washers (E). 7/16" wrench required. Repeat this step for all fixtures.



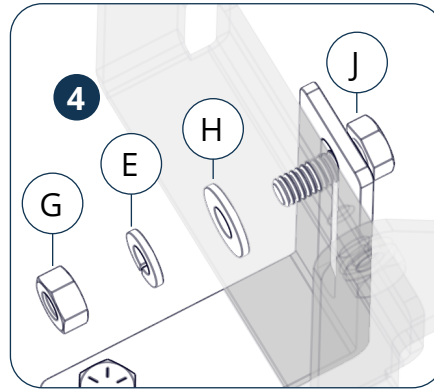
2. (Optional) If you want to use one of the color choices instead of the standard soft white light, peel the protective lining from both sides of the colored lens (B) of your choice. Place the lens inside the lens cap (A) making sure the 3 flaps are holding the lens in place. Repeat this step for all lens caps. Continue to Step 3.
3. (Optional) Place lens caps over the light fixture (C) as shown. Ensure the cap is seated all the way down onto the fixture housing. Make sure the fixture and lens are clean before installing the lens cap. Repeat for all fixtures.



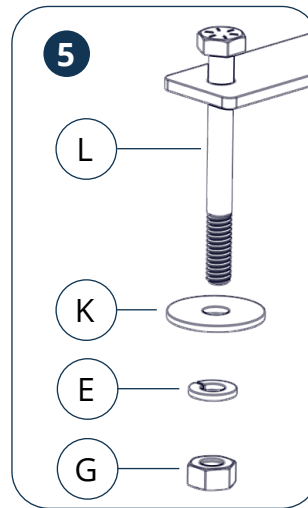
# UNIVERSAL MOUNTING INSTRUCTIONS (CONT.)

Hardware is provided for basic installation. Check your installation to ensure you have the correct hardware. Additional hardware may be included, or you may need to purchase it if your installation varies from the diagrams below.

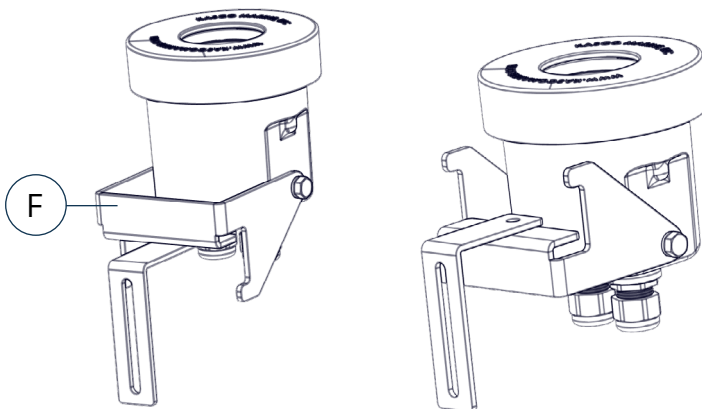
4. Use a 1/4"-20 x 3/4" screw (J), flat washer (H), lock washer (E), and hex nut (G) to secure a Universal mounting bracket (I) to each S19 bracket (F), as shown.



5. Use a 2-1/2" (L), fender washer (K), lock washer (E), and hex nut (G) to secure the bracket to the float.



6. Repeat for remaining fixtures, spacing evenly around the float. Cable ties can be used to attach the fixture cords to float, decrease play, and ensure protection. Cable-tie the light kit power cord to the float opposite the fountain power cord for balance and to prevent damage from the fountain. Remember: **LEDs19 fixtures MUST be properly submerged (to mark on housing) to avoid overheating.**



For vertical bracket mounting, use the hardware shown above to fasten the two brackets together. Then use your existing float screws through the slot in the Universal bracket to secure it. For additional vertical options, flip the LED light bracket (F) upside down.

# MAINTENANCE RECOMMENDATIONS

Under **NO CIRCUMSTANCE** should anyone enter the water while a fountain is operating.

The following maintenance procedures can be utilized to ensure many years of quality performance from your Kasco light kit and reduce the need for more costly repair work. Note that the LED fixtures are sealed and do not require any maintenance other than cleaning. Do not attempt to open light fixtures, as this will void the warranty.

**PROPER INSTALLATION:** Installation of the LED light fixtures on aerating fountain units with the mounting brackets oriented as shown will ensure proper submersion of the light fixtures. Each fixture must be partially submerged in order for lights to operate properly. Other applications for these fixtures must provide at least the same submersion to properly cool the fixture. Operating the fixtures out of water will damage the LED and void warranty. Proper installation of Kasco equipment will include a power source with ground fault protection. A complete list of control panels can be found in the Accessories section of [kascomarine.com](http://kascomarine.com).

**OBSERVATION:** Operating equipment should be observed on a regular basis (daily, if possible) for any reduction or variation in performance. If a change in performance is observed, the equipment should be disconnected from power and inspected.

**WINTER STORAGE:** In regions where there is significant freezing in the wintertime, the light kit should be removed from the water to protect it from the expansion pressure of ice. Storage over winter is best in a location that is out of the sun and cool, but above 32° F.

**CLEANING:** Light kits should be removed from the water at least once per year (at the end of the season in cold climates) to clean the exterior of the system. The light fixture surfaces dissipate heat into the water, and any algae, calcium, or other build-up will become an insulator that blocks heat transfer and may lead to overheating and damage. Keeping the lenses clean will also ensure the brightest light possible.

## WARRANTY

Warranty period: LED4S19 = 3 year

### Limited Warranty:

Kasco® Marine, Inc. warrants this Light Kit to be free from defects in material or workmanship under normal use and service. The Kasco Marine, Inc. obligation under this warranty is limited to replacing or repairing free of charge any defective part within the warranty period from the date of shipment. Customer shall pay shipping charges for returning the unit to Kasco.

THIS WARRANTY IS IN LIEU OF ANY OTHER WARRANTIES, EXPRESSED OR IMPLIED, AND ANY OTHER OBLIGATION OR LIABILITY WHATEVER ON THE PART OF KASCO MARINE, INC. AND IN NO EVENT SHALL KASCO MARINE, INC. BE LIABLE FOR ANY SPECIAL OR CONSEQUENTIAL DAMAGES.

### Warranty is void if:

The Light Kit is not maintained properly according to the Maintenance Recommendations supplied in this Manual.

The lights, control box, or power cord are altered in any way from original shipment. Cuts in the power cord are not covered under warranty.


The Light Kit is damaged by unauthorized tampering.

### Warranty Claim Procedure:

The best method for establishing warranty period is by keeping your original receipt and registering the equipment online at [kascomarine.com](http://kascomarine.com) under the Warranty Information section.

Once warranty coverage has been established, the light kit may be sent to Kasco Marine or any Kasco Authorized Repair Center for evaluation and repair.

# REPAIR

**NOTE**  The LED light fixtures are sealed and do not require any physical maintenance other than cleaning.

Any required repairs must be performed by Kasco Marine. Any alterations or changes made to Kasco units by an unauthorized source will void the warranty. This includes tampering with the unit, power cord, and/or control box.

A physical Kasco Repair Form must be included with any equipment sent to Kasco or an Authorized Repair Center. This form can be found under the Product Support section of [kascomarine.com](http://kascomarine.com). If no Repair Form is available, include your name and physical address for return delivery of the repaired Light Kit and a daytime phone number and/or e-mail address for correspondence regarding the warranty claim.

Note: Visually inspect the power cord for any cuts, rodent chews, etc. to determine if it should be included in the repair shipment. The cord may be needed by the shop to diagnose the failure.

Once warranty coverage has been established, the equipment may be sent to any Kasco Authorized Repair Center or to Kasco at the address listed on the repair form (page 8).

## NON-WARRANTY REPAIRS

Most failed equipment can be repaired at substantially lower costs than replacement with new. If your light kit requires repair and is no longer covered under warranty, please contact Kasco Marine or your local distributor for available options. Please ship according to the instructions above.

- Kasco Marine does estimates on repairs at the request of the customer. The request for estimate should be included in the letter that accompanies the returned unit and must include a daytime phone number and/or e-mail address. We will contact the customer with a total after the unit has been evaluated, but before the work is performed.
- All estimates that are rejected for repair will be destroyed unless otherwise directed by the customer. Rejected equipment can be returned at the customer's expense for shipping and handling charges.

### Billing:

All non-warranty repairs will be returned and billed to the customer unless otherwise directed. Kasco Marine accepts Visa and MasterCard credit card payments. Kasco Marine will call for credit card information upon completion of the estimate at the customer's request.

Please see the Product Support section of [kascomarine.com](http://kascomarine.com) for more information about warranty and repairs. Contact Kasco Marine at the number above or [sales@kascomarine.com](mailto:sales@kascomarine.com) for additional information and your closest Authorized Repair Center.



# REPAIR CONTACT FORM

- Kasco requires that all equipment sent for repair MUST be accompanied by this form and marked to Repairs attention.
- Unit should be cleaned before shipping.
- Kasco is NOT responsible for shipping damage accrued in return shipment.
- It is the responsibility of the customer to ship and pay freight to Kasco.

Kasco Marine  
 800 Deere Road  
 Prescott, WI 54021  
 Attn: Repairs

Note: Contact information should be that of the person or company to contact for repair information.

Company name			
Contact name	First name	Last name	
Address	Street		
	City		
	State		
	ZIP code		
Phone number	Primary	Alternate	
Email address			
Preferred method of contact (circle one)	Phone	Email	
Purchase order number			
Additional product information	Serial Number	Cord Length	
Information for Repair Technician			
Was this unit used in a chemical treatment or wastewater application? (circle one)	Yes	No	
Additional notes			