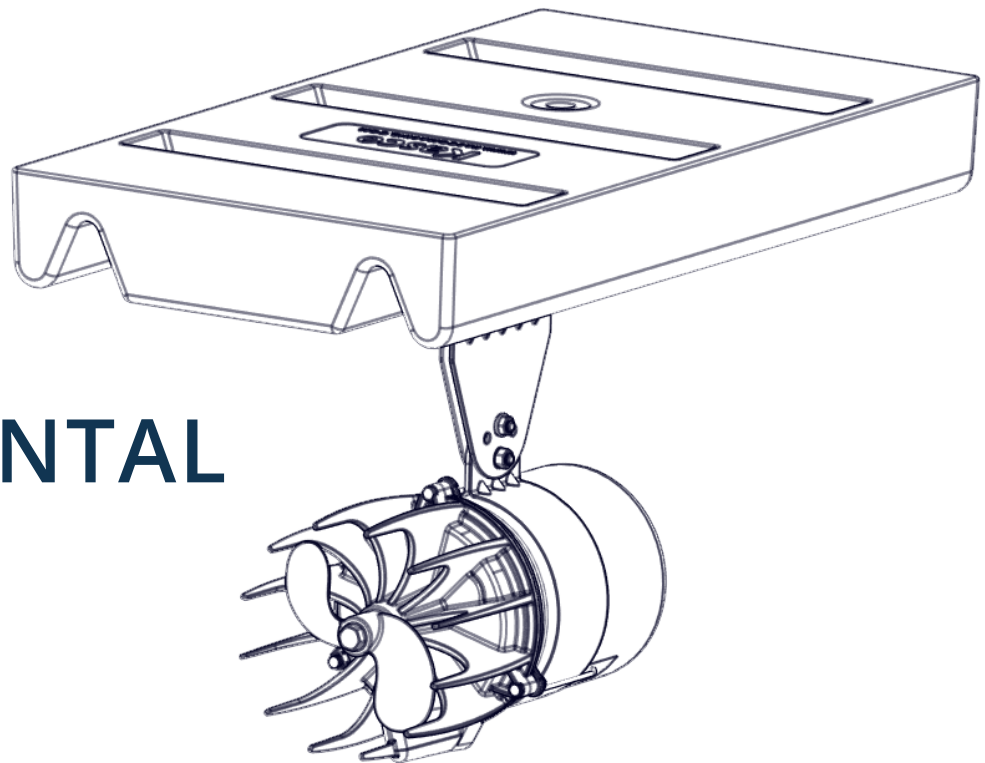




MOVING WATER FORWARD, SINCE 1968



HORIZONTAL FLOAT

Assembly & Installation Manual

Document number 820650
Document version 2022.1.0

800 Deere Rd. Prescott, WI 54021 | 715.262.4488 | sales@kascomarine.com | kascomarine.com

TABLE OF CONTENTS

Parts Included2
Assembly Instructions.....3
Installation Instructions.....6

CONTACT US

 Kasco Marine
800 Deere Road
Prescott, WI 54021

 715.262.4488

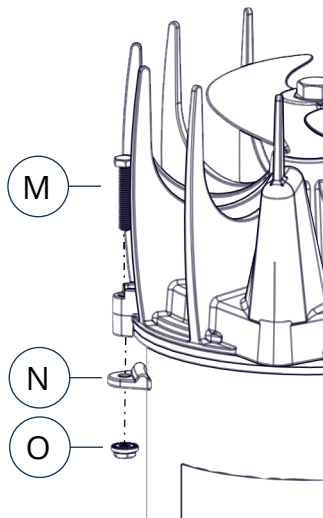
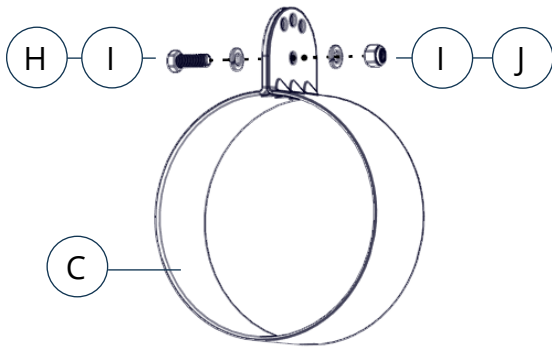
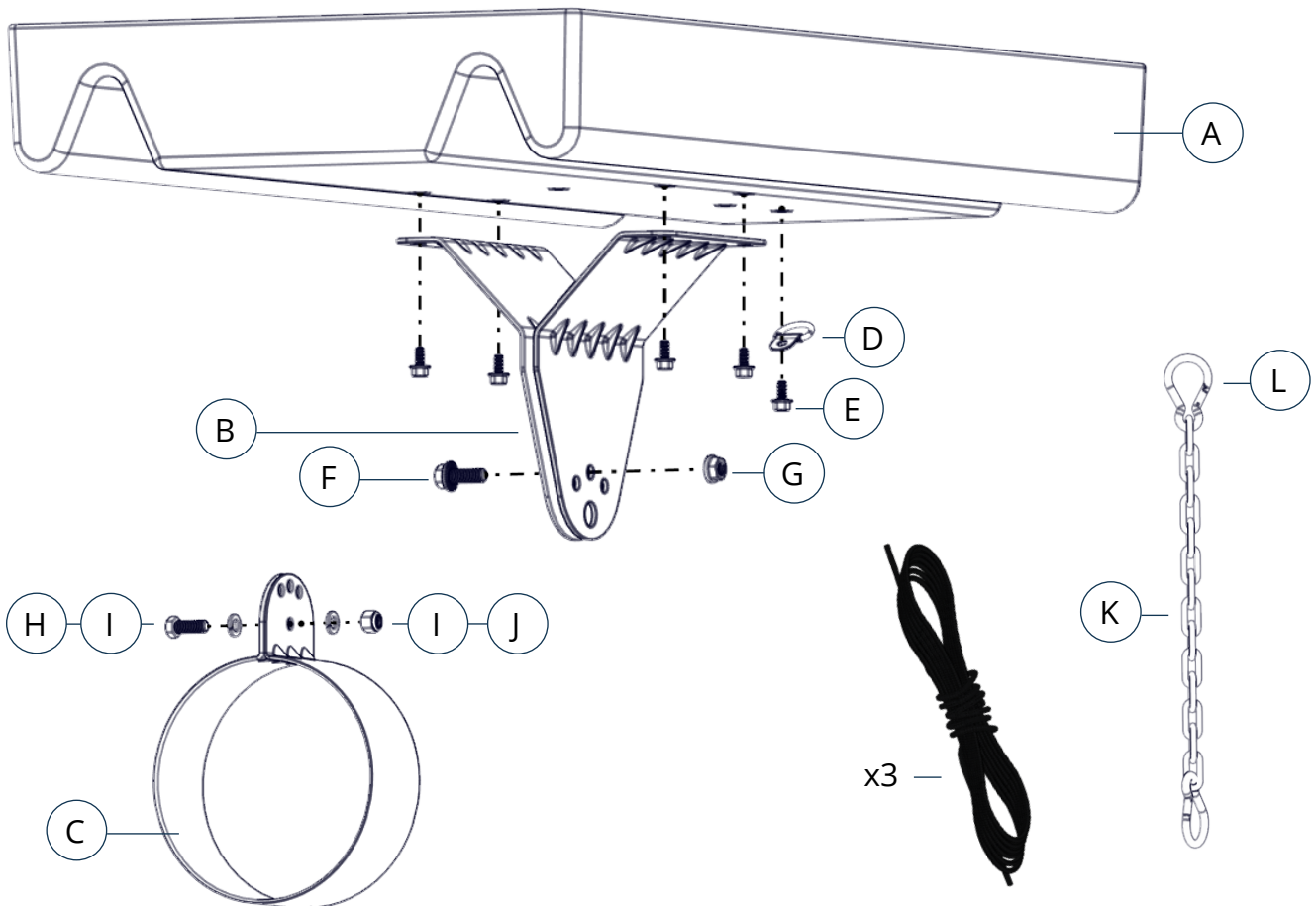
 kascomarine.com | sales@kascomarine.com

SUGGESTED TOOLS & SUPPLIES



3/8" socket or wrench
7/16" socket or wrench

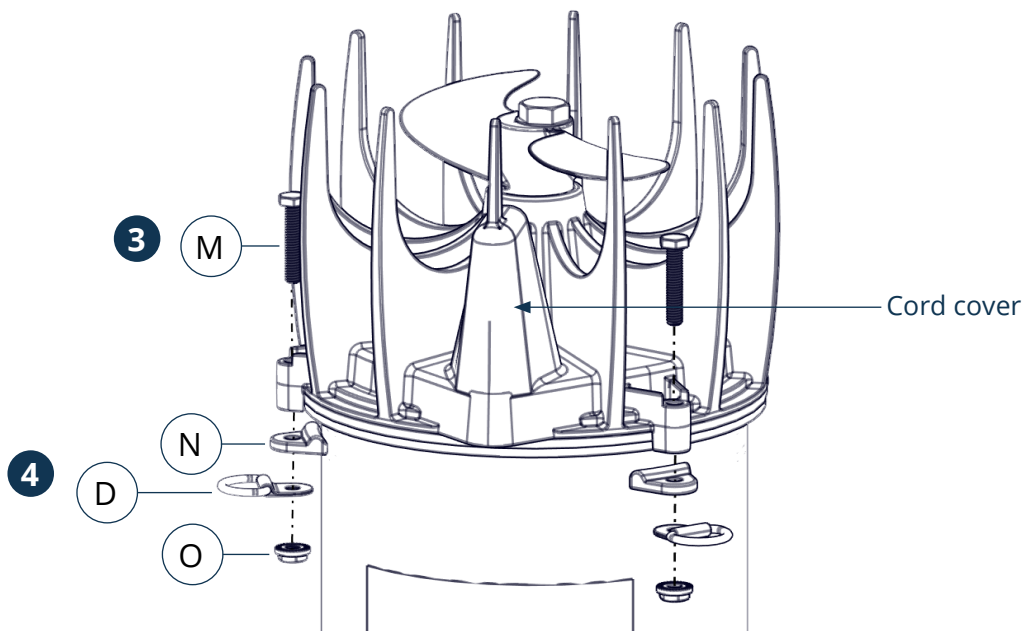
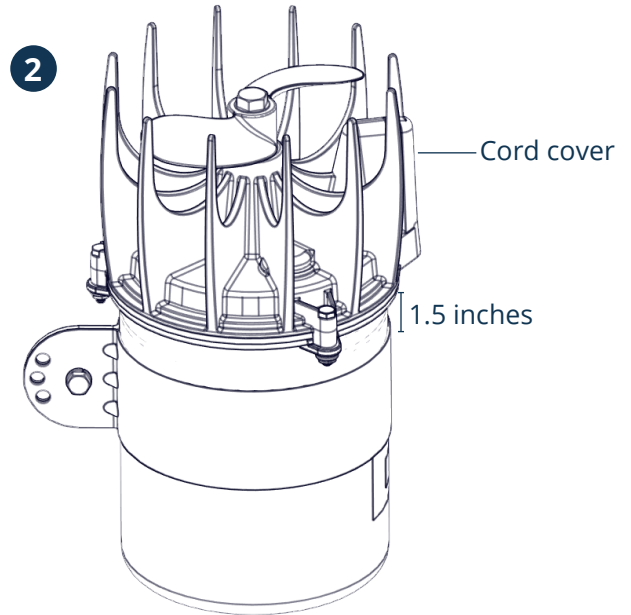
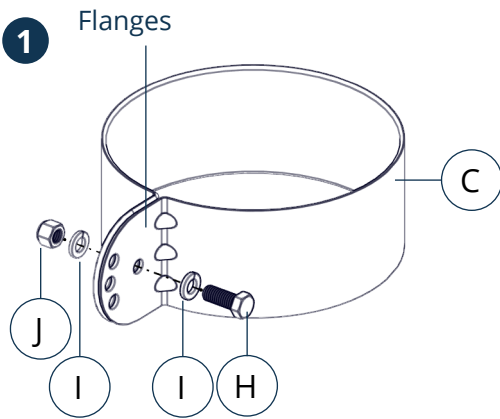
PARTS INCLUDED



ID	Description	Qty	Part No.
A	Horizontal Float	1	213002
B	Horizontal Float mounting bracket	2	993220
C	Can strap	1	997174
D	Tie-down ring	3	993230
E	1/4"-20 x 1/2" serrated flange screw	5	774037
F	3/8"-16 x 1" serrated flange screw	1	840533
G	3/8"-16 serrated flange nut	1	840532
H	3/8"-16 x 1" hex head cap screw	1	566250
I	3/8" split lock washer	2	566230
J	3/8"-16 nut	1	462214
K	Chain (12" length)	2	636344
L	Snap clip	4	636346
AquatiClear Unit Parts for Reference			
M	1/4"-20 x 1-1/2" hex head screw	3	475695
N	Retaining clip	3	140312
O	1/4"-20 serrated flange nut	3	840538

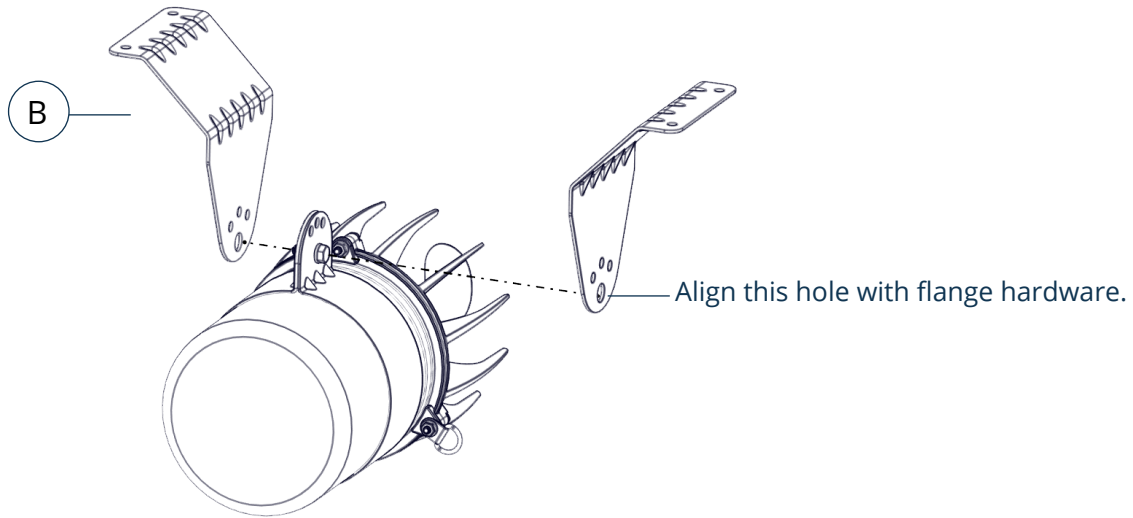
ASSEMBLY INSTRUCTIONS

1. Loosely join the flanges of the can strap (C) together by fitting a 3/8"-16 x 1" hex head cap screw (H), two 3/8" split lock washers (I), and a 3/8"-16 nut (J) in the hole at the center of the can strap flanges.
2. Slide the can strap onto the unit. The flanges should be aligned with the tab opposite the cord cover, and the strap should rest about 1.5 inches from the prop guard. Tighten the hardware.
3. Remove the 1-1/2" hex head screw (M), retaining clip (N), and serrated flange nut (O) from the two tabs on either side of the cord cover.
4. Replace the hardware, inserting a tie-down ring (D) between the retaining clip and the serrated flange nut on each tab.

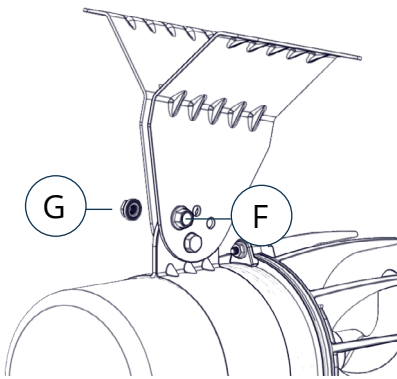


ASSEMBLY INSTRUCTIONS (CONT.)

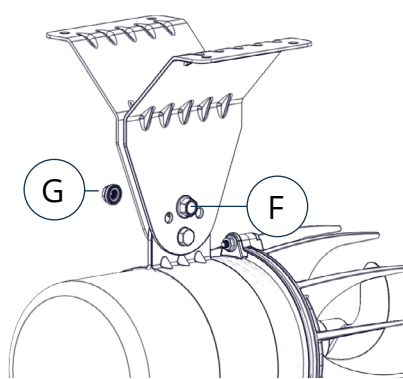
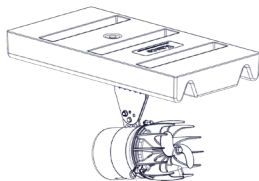
- Fit the bottom hole of each mounting bracket (B) over the hardware now securing the can strap flanges.



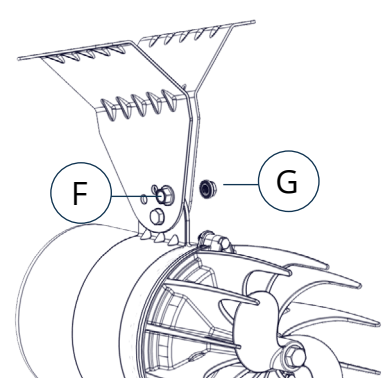
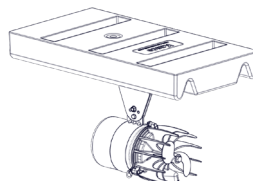
- Angle the unit as desired by aligning one of the three the holes in the flanges with the corresponding holes in the brackets. Secure the can strap to the brackets with the 3/8"-16 x 1" serrated flange screw (F) and 3/8"-16 serrated flange nut (G) to fix the unit in one of the angles below.



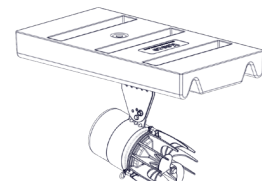
Upward angle: Align the bracket and flange holes farthest from the prop guard to angle the unit toward the float in the water (below).



No angle: Align the center holes in the brackets and flanges to angle the unit straight ahead in the water (below).

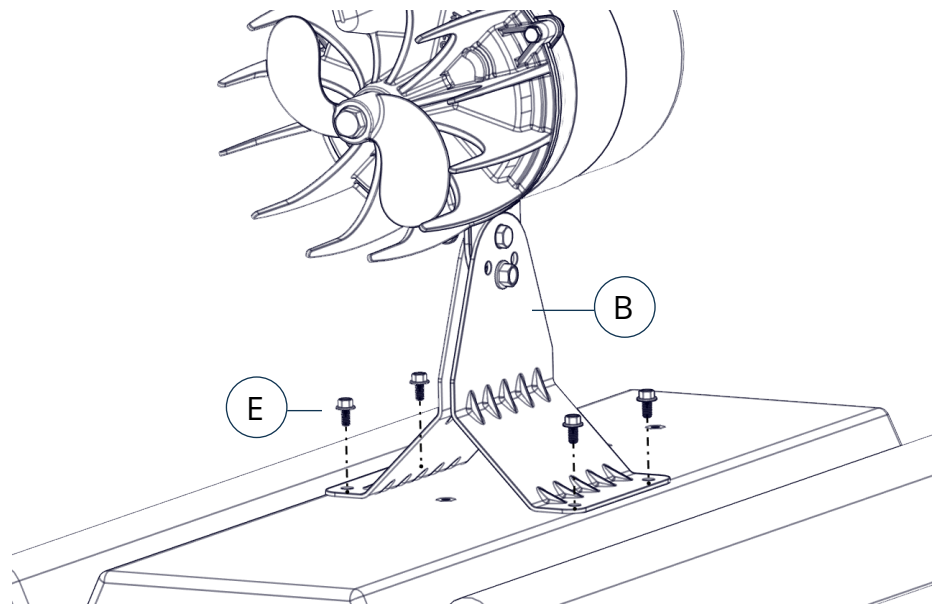


Downward angle: Align the bracket and flange holes closest to the prop guard to angle the unit away from the float in the water (below).

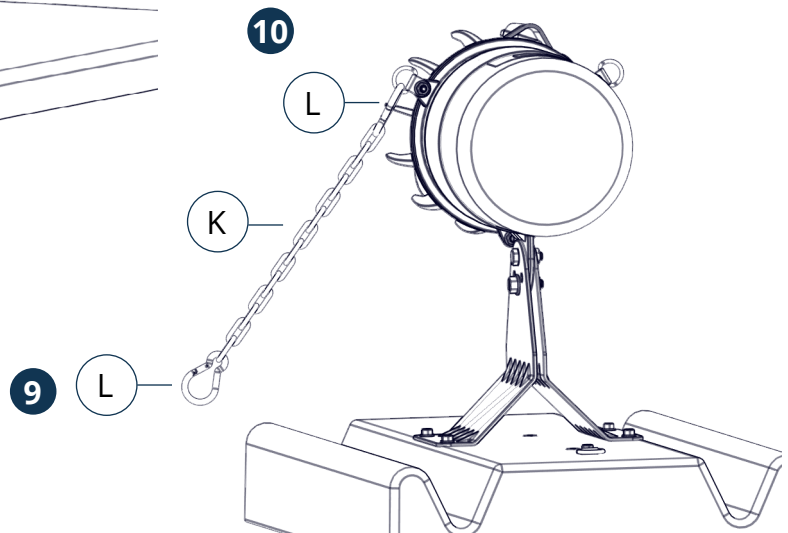
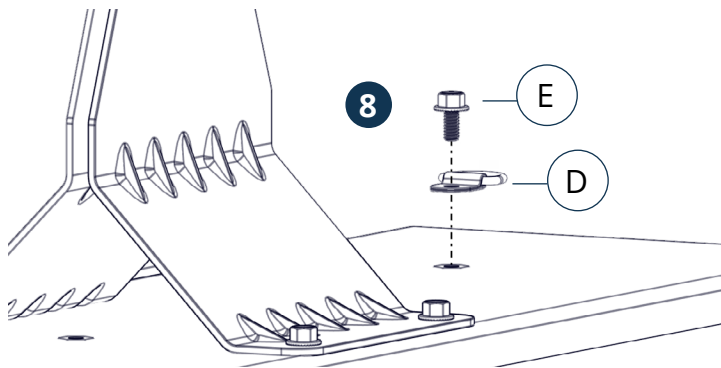


ASSEMBLY INSTRUCTIONS (CONT.)

- Place the float on a stable surface with the flat side down and use four 1/4"-20 x 1/2" serrated flange screws (E) to secure the mounting brackets (B) to the float.

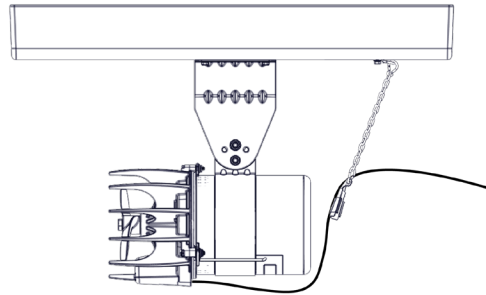


- Secure the tie-down ring (D) to the float using another 1/4"-20 x 1/2" serrated flange screw (E).
- Attach snap clips (L) to both ends of both chains (K).
- Use the snap clips to attach a chain to one of the tie-down rings you previously installed.
- Repeat for the remaining chain and tie-down ring.

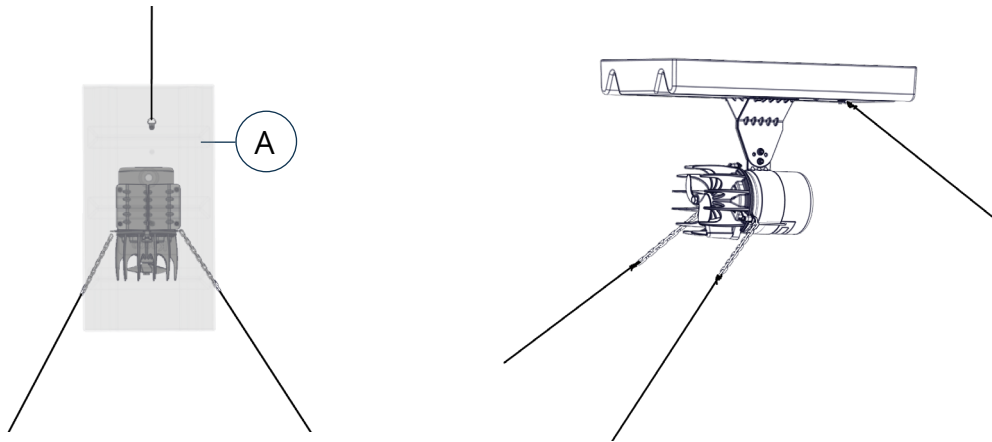


INSTALLATION INSTRUCTIONS

1. For longer cords that come with strain relief, attach the included chain to the tie-down ring on the float, as pictured below.

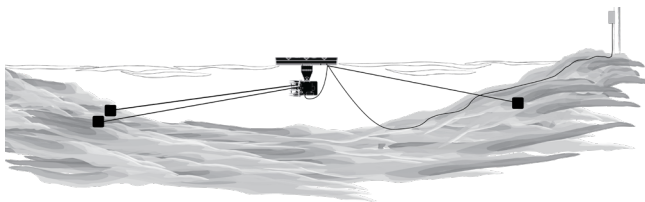


2. Tie mooring ropes to both chains and to the tie-down ring on the float to provide three anchor points for the unit and float (A) as shown below.



Use ropes to position the circulator in the desired location in the pond or lake. Anchor the ropes or secure them to the shoreline so that they are free of slack, but not tight. To prevent twisting of the unit due to motor torque, place the anchor at least 3 feet from the float for each foot of depth. (Example: a 6-foot-deep pond would require an anchor 18 feet horizontally from the float.)

Correct anchoring



Incorrect anchoring

