



5.1JF FOUNTAIN

OVERVIEW

- Complete package includes motor unit, control panel, float with screens, mooring lines, cable, five interchangeable nozzles.
- Cable is UL, CSA & NEC rated for underwater use.
- Total package Listed by ETL to UL/CSA standards.
- Intake near surface allows for shallow operation
- Saltwater compatible
- Packaged for convenient shipping
- Optional lighting available

FLOAT

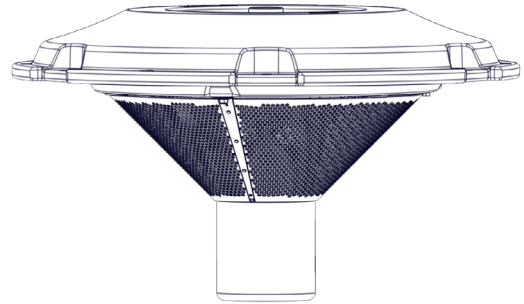
- UV-resistant polyethylene
- Single-piece float
- Series 300 stainless steel hardware
- Series 300 stainless steel bottom screen
- Three 50' braided nylon mooring ropes

FOUNTAIN COMPONENTS

- Custom thermoplastic impeller
- UV-resistant thermoplastic cone and fountain housing
- Series 300 stainless steel hardware
- Five thermoplastic nozzles
- Twist on/off nozzles for easy pattern changes

POWER CABLE

- 3 wire (L1, L2, G)
- Quick Disconnect standard on 12+ AWG cords (otherwise optional)
- Stainless steel strain relief on 12+ AWG cords
- 6' flex sleeving protection standard (optional for entire cord length)



Dimensions

Float diameter: 47.5"

Unit height with float: 24"

MOTOR UNIT

- 5HP, 208-240Vac operating voltage range, single phase
- Class B insulation
- 1750 RPM
- Oil cooled
- Continuous duty rated
- 17mm top and 20mm bottom bearings
- Thermal overload protection
- Dual, fully unitized heavy-duty carbon-ceramic mechanical seals
- Series 300 stainless steel can
- Cast stainless steel motor top
- Sacrificial anode installed on 316 stainless shaft

CONTROL PANEL

- UL 508 Listed
- UL type 3R/4X thermoplastic enclosure
- Human-rated GFCI protection
- Surge protector
- 24-hour mechanical fountain timer
- Terminal block wiring
- 24-hour mechanical timer for optional lighting
- 4-wire power required (L1, L2, N, G)

5.1JF FOUNTAIN

OVERVIEW

HP	Voltage / Phase / Hz	Running Amps	Lock Rotor Amps	Suggested Pond Size (SA)	Min. Depth of Operation (in.)
5	208-240V / 1 / 60	20	88	Up to 2.5*	26"

*Surface Acreage; also consider pond shape, depth, and oxygen demand.

MODEL SPECIFICATIONS

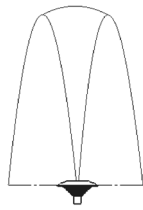
Model	Cord Length (ft.)	Cord Gauge	Number of Boxes
5.1JF100	100	12/3	4**
5.1JF150	150	10/3	4**
5.1JF200	200	10/3	4**
5.1JF250	250	8/3	4**
5.1JF300	300	6/3	4**
5.1JF400	400	6/3	4**
5.1JF500	500*	6/3	4**

*500' and longer cords available by custom order only.

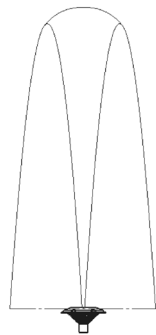
**Ships motor freight only.



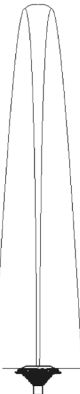
INCLUDED PATTERNS



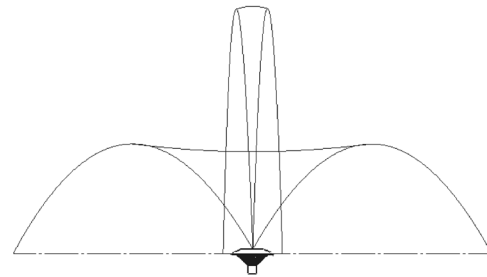
Birch
24' H x 14' W



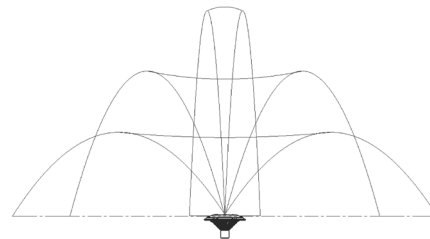
Spruce
31' H x 12' W




Redwood
32' H x 6' W



Linden
24.5' H x 46' W



Balsam
18' H x 34' W

NOTE  For additional patterns, ask about Premium nozzles.





5.3JF FOUNTAIN

OVERVIEW

- Complete package includes motor unit, control panel, float with screens, mooring lines, cable, five interchangeable nozzles.
- Cable is UL, CSA & NEC rated for underwater use.
- Total package Listed by ETL to UL/CSA standards.
- Intake near surface allows for shallow operation
- Saltwater compatible
- Packaged for convenient shipping
- Optional lighting available

FLOAT

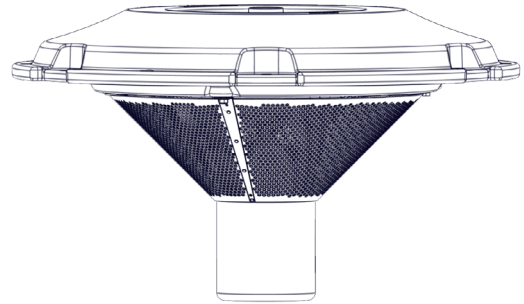
- UV-resistant polyethylene
- Single-piece float
- Series 300 stainless steel hardware
- Series 300 stainless steel bottom screen
- 3/4" mesh overlay screening
- 1/4" mesh overlay screening
- Three 50' braided nylon mooring ropes

FOUNTAIN COMPONENTS

- Custom thermoplastic impeller
- UV-resistant thermoplastic cone and fountain housing
- Series 300 stainless steel hardware
- Five thermoplastic nozzles
- Twist on/off nozzles for easy pattern changes

POWER CABLE

- 4 wire (L1, L2, L3, G)
- Quick Disconnect standard
- Stainless steel strain relief standard
- 6' flex sleeving protection standard (optional for entire cord length)



Dimensions

Float diameter: 47.5"

Unit height with float: 24"

MOTOR UNIT

- 5HP, 208-240Vac operating voltage range, three phase
- Class B insulation
- 1750 RPM
- Oil cooled
- Continuous duty rated
- 17mm top and 20mm bottom bearings
- Thermal overload protection
- Dual, fully unitized heavy-duty carbon-ceramic mechanical seals
- Series 300 stainless steel can
- Cast stainless steel motor top
- Sacrificial anode installed on 316 stainless shaft

CONTROL PANEL

- UL 508 Listed
- NEMA type 3R/4X thermoplastic enclosure
- Human-rated GFCI protection
- Surge protector
- Motor starter with adjustable overload
- Hand-Off-Auto switch
- 24-hour mechanical timers (fountains & lights)
- Terminal block wiring
- 5-wire power required (L1, L2, L3, N, G)

5.3JF FOUNTAIN

OVERVIEW

HP	Voltage / Phase / Hz	Running Amps	Lock Rotor Amps	Suggested Pond Size (SA)	Min. Depth of Operation (in.)
5	208-240V / 3 / 60	16	97	2.5*	26"

*Surface Acreage; also consider pond shape, depth, and oxygen demand.

MODEL SPECIFICATIONS

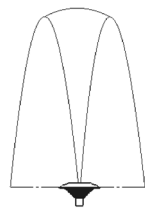
Model	Cord Length (ft.)	Cord Gauge	Number of Boxes
5.3JF100	100	14/4	4**
5.3JF150	150	14/4	4**
5.3JF200	200	12/4	4**
5.3JF250	250	8/4	4**
5.3JF300	300	6/4	4**
5.3JF400	400	6/4	4**
5.3JF500	500*	6/4	4**

*500' and longer cords available by custom order only.

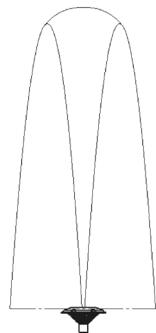
**Ships motor freight only.



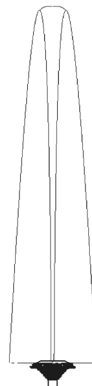
INCLUDED PATTERNS



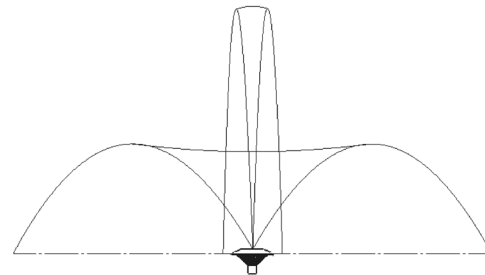
Birch
24' H x 14' W



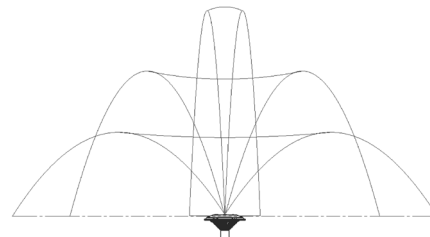
Spruce
31' H x 12' W



Redwood
32' H x 6' W



Linden
24.5' H x 46' W



Balsam
18' H x 34' W

NOTE For additional patterns, ask about Premium nozzles.

