

# AquatiClear Conversion Kit Instructions

Kits 993211, 993212, 993213, 993214, 993215



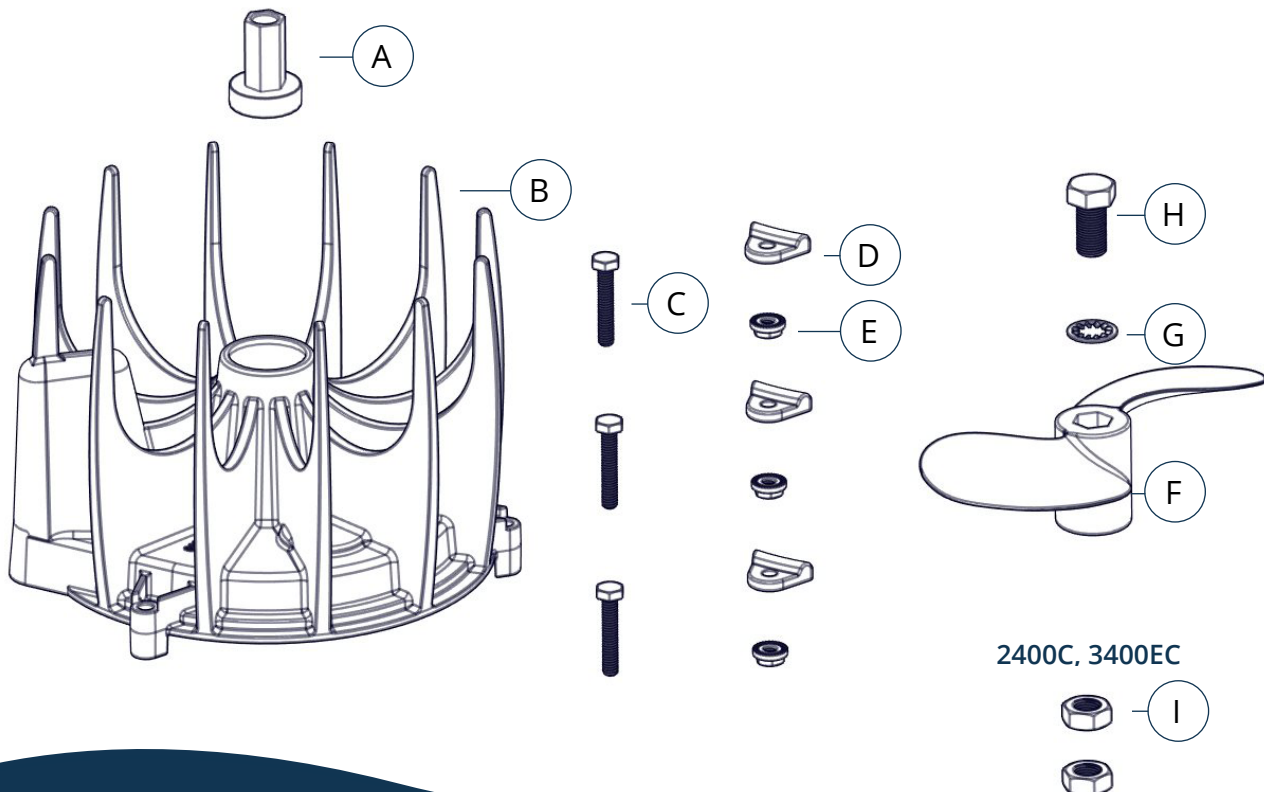
Whole sacrificial anode



**NOTE** While performing a conversion to an AquatiClear build, check the status of the sacrificial anode and replace if it has deteriorated halfway or more.

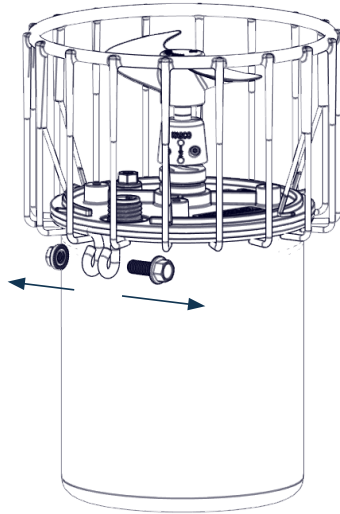
## PARTS INCLUDED

ID	Description	Qty	Part No.	
A	Prop stop	1	440630	
B	AquatiClear prop guard	1	993210	
C	1/4"-20 x 1-1/2" hex head screw	3	475695	
D	Retaining clip	3	140312	
E	1/4"-20 serrated flange nut	3	840538	
F	Propeller (2400)	1	240180	
F	Propeller (3400)	1	340135	
F	Propeller (4400)	1	440435	
G	1/2" washer	1	241024	
H	1/2"-20 x 1" hex head screw	1	243410	
I	1/2"-20 waxed jam nut	2400C	1	342058
		3400EC	2	

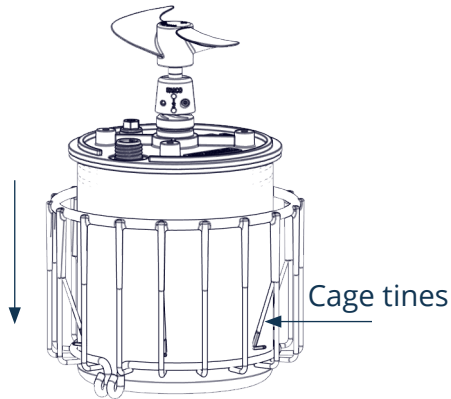


# CONVERSION INSTRUCTIONS

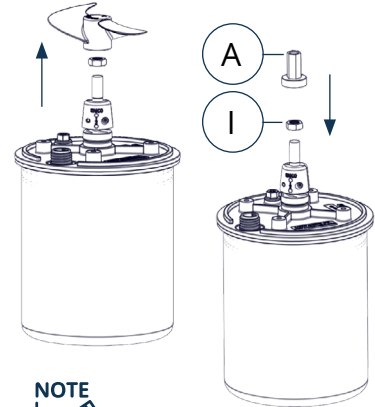
- 1** Detach the cord from the cage clasp and remove the cage hardware.



- 2** Squeeze six cage tines away from the unit to loosen the cage. Remove the cage by sliding it down the can. Pull the entire length of the cord through the cage.

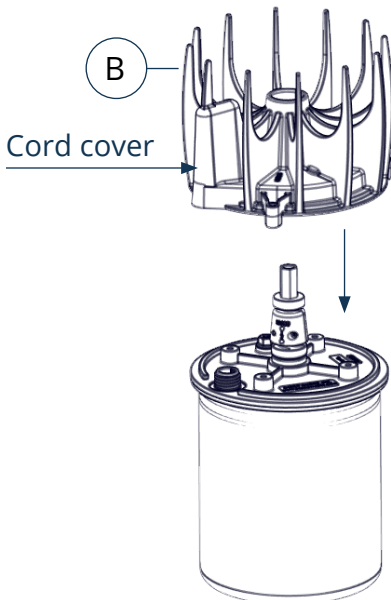


- 3** Remove the prop (and jam nut, if included) and thread the prop stop (A) onto the shaft.

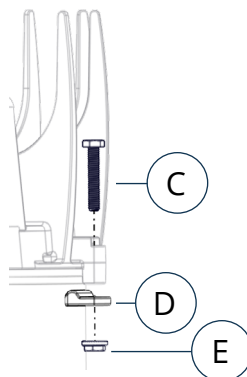


Install one (2400C) or two (3400EC) jam nuts (I) on the end of the shaft before installing the prop stop.

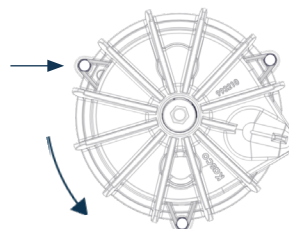
- 4** Aligning the cord cover over the cord, fit the AquatiClear prop guard (B) over the prop stop.



- 5** Secure the prop guard to the unit using the three 1.5" screws (C), retaining clips (D), and nuts (E).



Always tighten the nut opposite the cord cover first and then proceed in a counterclockwise direction.



- 6** Slip the new prop (F) onto the prop stop, followed by a washer (G) and 1" screw (H).

