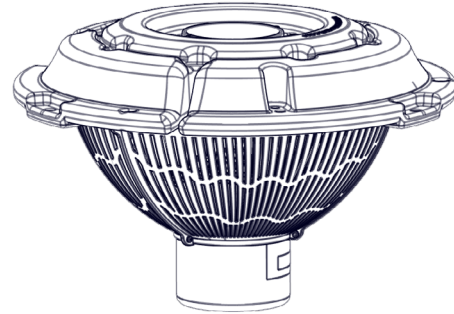




4400VFX FOUNTAIN

OVERVIEW

- Complete package includes motor unit, control panel, float with screen, mooring lines, cable.
- Cable is UL, CSA & NEC rated for underwater use.
- Total package Listed by ETL to UL/CSA standards.
- Intake near surface allows for shallow operation
- Saltwater compatible
- Packaged for convenient shipping
- Optional lighting available



Dimensions

Float diameter: 28"

Unit height with float: 18.5"

FLOAT

- UV-resistant polyethylene
- Single-piece float
- Series 300 stainless steel hardware
- Thermoplastic protective bottom screen
- Three 50' braided nylon mooring ropes

FOUNTAIN COMPONENTS

- Custom thermoplastic propeller
- UV-resistant thermoplastic draft tube and fountain disc
- Series 300 stainless steel hardware

POWER CABLE

- 3 wire (L, N, G)
- Quick Disconnect standard on 12+ AWG cords (otherwise optional)
- Stainless steel strain relief on 12+ AWG cords
- 6' flex sleeving protection standard (optional for entire cord length)

MOTOR UNIT

- 1HP, 120Vac operating voltage, single phase
- 1750 RPM
- Oil cooled
- Continuous duty rated
- 17mm top and bottom bearings
- Thermal overload protection
- Fully unitized heavy-duty carbon-ceramic mechanical seal
- Series 300 stainless steel can
- Engineering grade thermoplastic top
- Sacrificial anode installed on 316 stainless shaft

CONTROL PANEL

- UL type 3R/4X thermoplastic enclosure
- Human-rated GFCI protection
- 24-hour mechanical fountain timer
- Photo eye for optional lighting
- 120V plug on 3' power cord

4400VFX FOUNTAIN

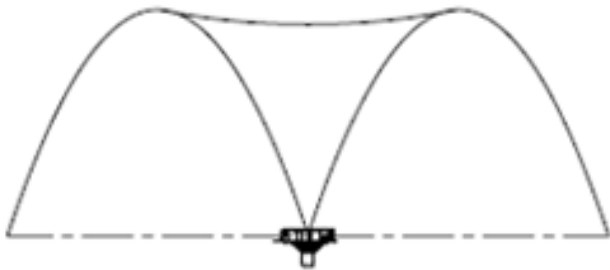
OVERVIEW

HP	Voltage / Phase / Hz	Running Amps	Lock Rotor Amps	Suggested Pond Size (SA)	Min. Depth of Operation (in.)
1	120V / 1 / 60	11	40	Up to 1/2*	19"

*Surface Acreage; also consider pond shape, depth, and oxygen demand.

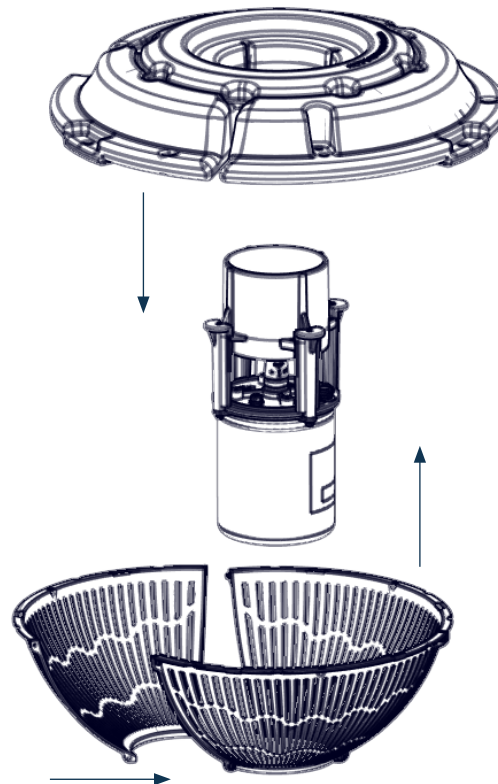
MODEL SPECIFICATIONS

Model	Cord Length (ft.)	Cord Gauge	Number of Boxes
4400VFX050	50	14/3	2
4400VFX100	100	12/3	3
4400VFX150	150	10/3	3
4400VFX200	200	10/3	3



Pattern size: 8' H x 26' W

Easy assembly



Kasco[®]



4400HVFX FOUNTAIN

OVERVIEW

- Complete package includes motor unit, control panel, float with screen, mooring lines, cable.
- Cable is UL, CSA & NEC rated for underwater use.
- Total package Listed by ETL to UL/CSA standards.
- Intake near surface allows for shallow operation
- Saltwater compatible
- Packaged for convenient shipping
- Optional lighting available

FLOAT

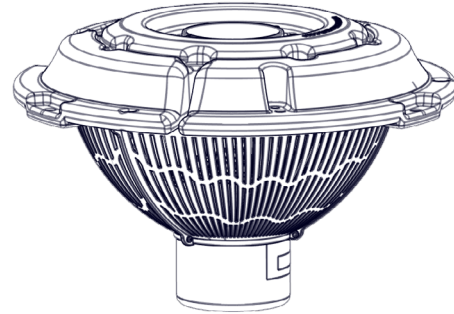
- UV-resistant polyethylene
- Single-piece float
- Series 300 stainless steel hardware
- Thermoplastic protective bottom screen
- Three 50' braided nylon mooring ropes

FOUNTAIN COMPONENTS

- Custom thermoplastic propeller
- UV-resistant thermoplastic draft tube and fountain disc
- Series 300 stainless steel hardware

POWER CABLE

- 3 wire (L1, L2, G)
- Quick Disconnect standard on 12+ AWG cords (otherwise optional)
- Stainless steel strain relief on 12+ AWG cords
- 6' flex sleeving protection standard (optional for entire cord length)



Dimensions

Float diameter: 28"

Unit height with float: 18.5"

MOTOR UNIT

- 1HP, 208-240Vac operating voltage range, single phase
- 1750 RPM
- Oil cooled
- Continuous duty rated
- 17mm top and bottom bearings
- Thermal overload protection
- Fully unitized heavy-duty carbon-ceramic mechanical seal
- Series 300 stainless steel can
- Engineering grade thermoplastic top
- Sacrificial anode installed on 316 stainless shaft

CONTROL PANEL

- UL 508 Listed
- UL type 3R/4X thermoplastic enclosure
- 20 amp breaker
- Human-rated GFCI protection
- Surge protector
- 24-hour mechanical timers (fountain & lights)
- Terminal block wiring
- 4-wire power required (L1, L2, N, G)

4400HVFX FOUNTAIN

OVERVIEW

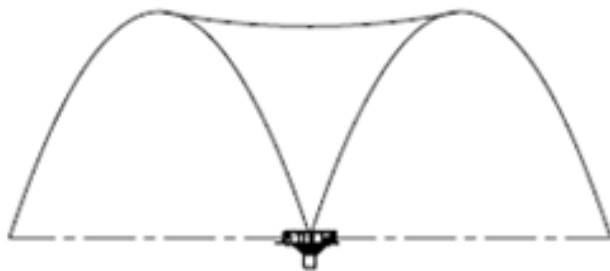
HP	Voltage / Phase / Hz	Running Amps	Lock Rotor Amps	Suggested Pond Size (SA)	Min. Depth of Operation (in.)
1	208-240V / 1 / 60	6	19	Up to 1/2*	19"

*Surface Acreage; also consider pond shape, depth, and oxygen demand.

MODEL SPECIFICATIONS

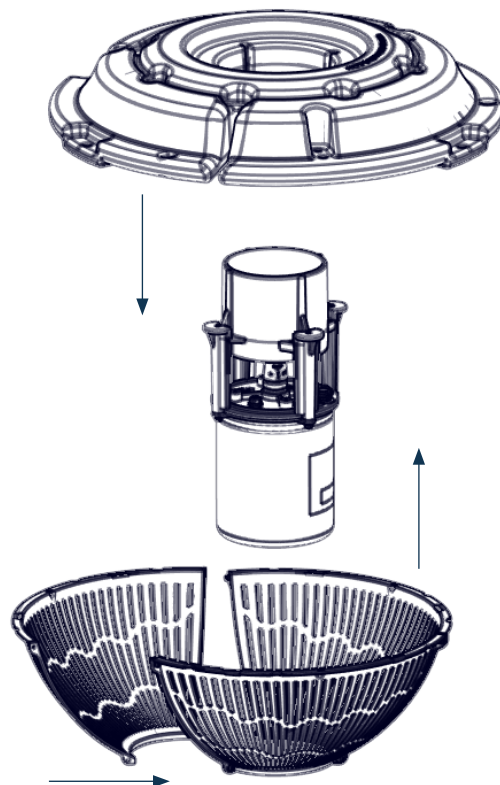
Model	Cord Length (ft.)	Cord Gauge	Number of Boxes
4400HVFX050	50	14/3	3
4400HVFX100	100	14/3	3
4400HVFX150	150	12/3	4
4400HVFX200	200	12/3	4
4400HVFX250	250	12/3	4
4400HVFX300	300	12/3	4
4400HVFX400	400	12/3	4
4400HVFX500	500	12/3	4

*500' and longer cords available by custom order only.



Pattern size: 8' H x 26' W

Easy assembly



Kasco[®]