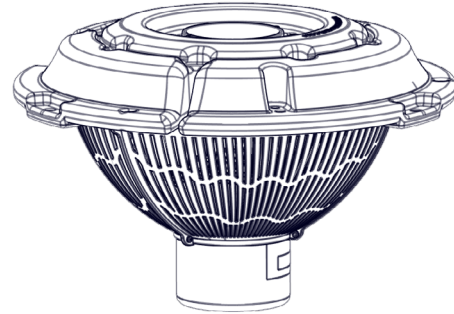




2400VFX FOUNTAIN

OVERVIEW

- Complete package includes motor unit, control panel, float with screen, mooring lines, cable.
- Cable is UL, CSA & NEC rated for underwater use.
- Total package Listed by ETL to UL/CSA standards.
- Intake near surface allows for shallow operation
- Saltwater compatible
- Packaged for convenient shipping
- Optional lighting available



Dimensions

Float diameter: 28"

Unit height with float: 16"

FLOAT

- UV-resistant polyethylene
- Single-piece float
- Series 300 stainless steel hardware
- Thermoplastic protective bottom screen
- Three 50' braided nylon mooring ropes

FOUNTAIN COMPONENTS

- Custom thermoplastic propeller
- UV-resistant thermoplastic draft tube and fountain disc
- Series 300 stainless steel hardware

POWER CABLE

- 3 wire (L, N, G)
- Quick Disconnect standard on 12+ AWG cords (otherwise optional)
- Stainless steel strain relief on 12+ AWG cords
- 6' flex sleeving protection standard (optional for entire cord length)

MOTOR UNIT

- 1/2HP, 120Vac operating voltage, single phase
- 1750 RPM
- Oil cooled
- Continuous duty rated
- 17mm top and bottom bearings
- Thermal overload protection
- Fully unitized heavy-duty carbon-ceramic mechanical seal
- Series 300 stainless steel can
- Engineering grade thermoplastic top
- Sacrificial anode installed on 316 stainless shaft

CONTROL PANEL

- UL type 3R/4X thermoplastic enclosure
- Human-rated GFCI protection
- 24-hour mechanical fountain timer
- Photo eye for optional lighting
- 120V plug on 3' power cord

2400VFX FOUNTAIN

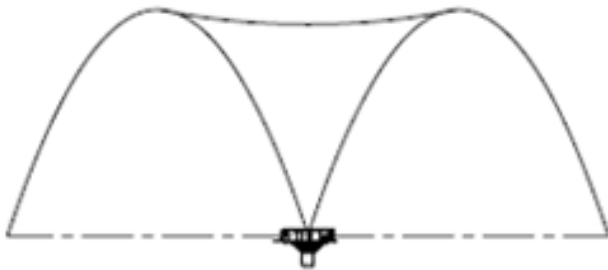
OVERVIEW

HP	Voltage / Phase / Hz	Running Amps	Lock Rotor Amps	Suggested Pond Size (SA)	Min. Depth of Operation (in.)
1/2	120V / 1 / 60	6	20	Up to 1/4*	15"

*Surface Acreage; also consider pond shape, depth, and oxygen demand.

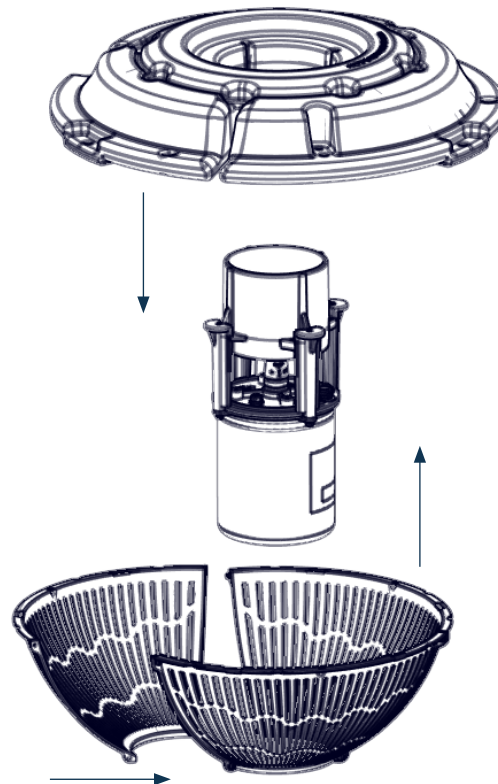
MODEL SPECIFICATIONS

Model	Cord Length (ft.)	Cord Gauge	Number of Boxes
2400VFX050	50	16/3	2
2400VFX100	100	14/3	2
2400VFX150	150	12/3	3
2400VFX200	200	12/3	3



Pattern size: 5' H x 15' W

Easy assembly



Kasco[®]