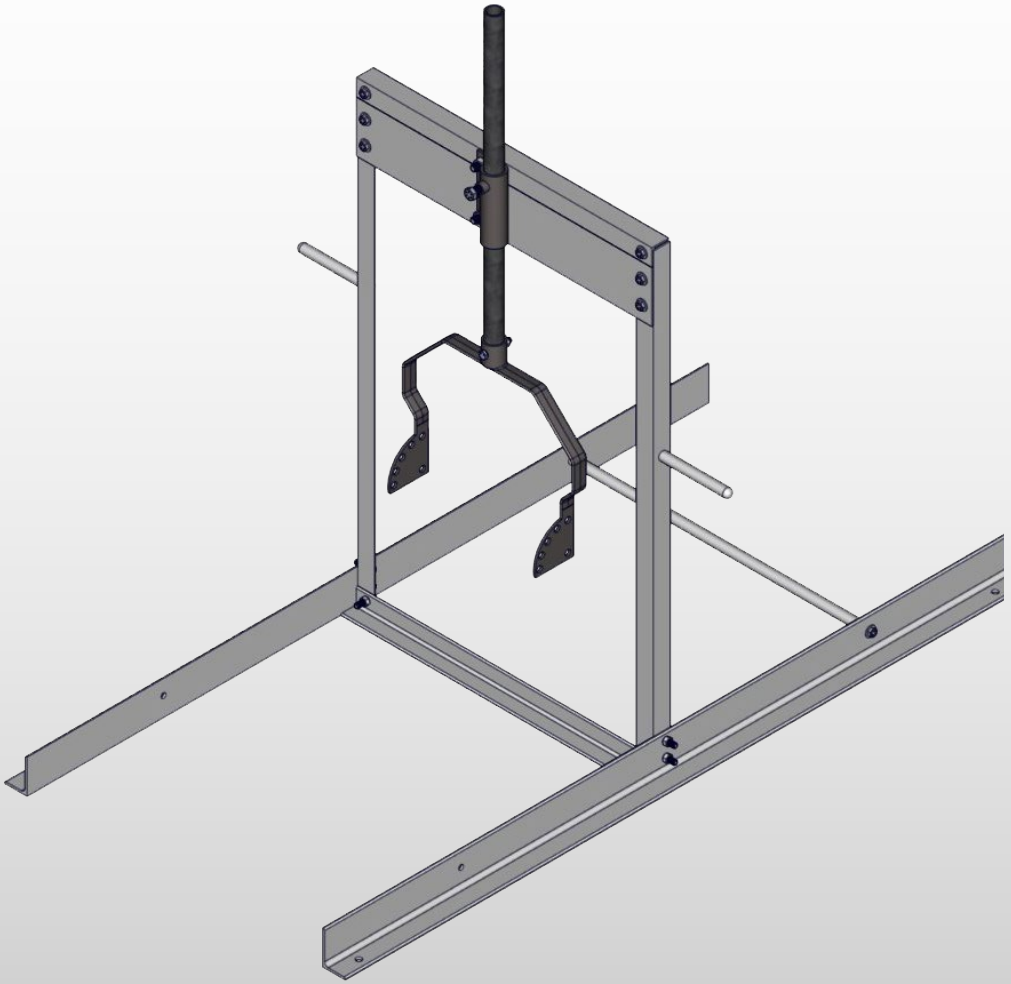




# BEARON AQUATICS

ICE EATERS | OLYMPUS FOUNTAINS | POWER HOUSE AERATION

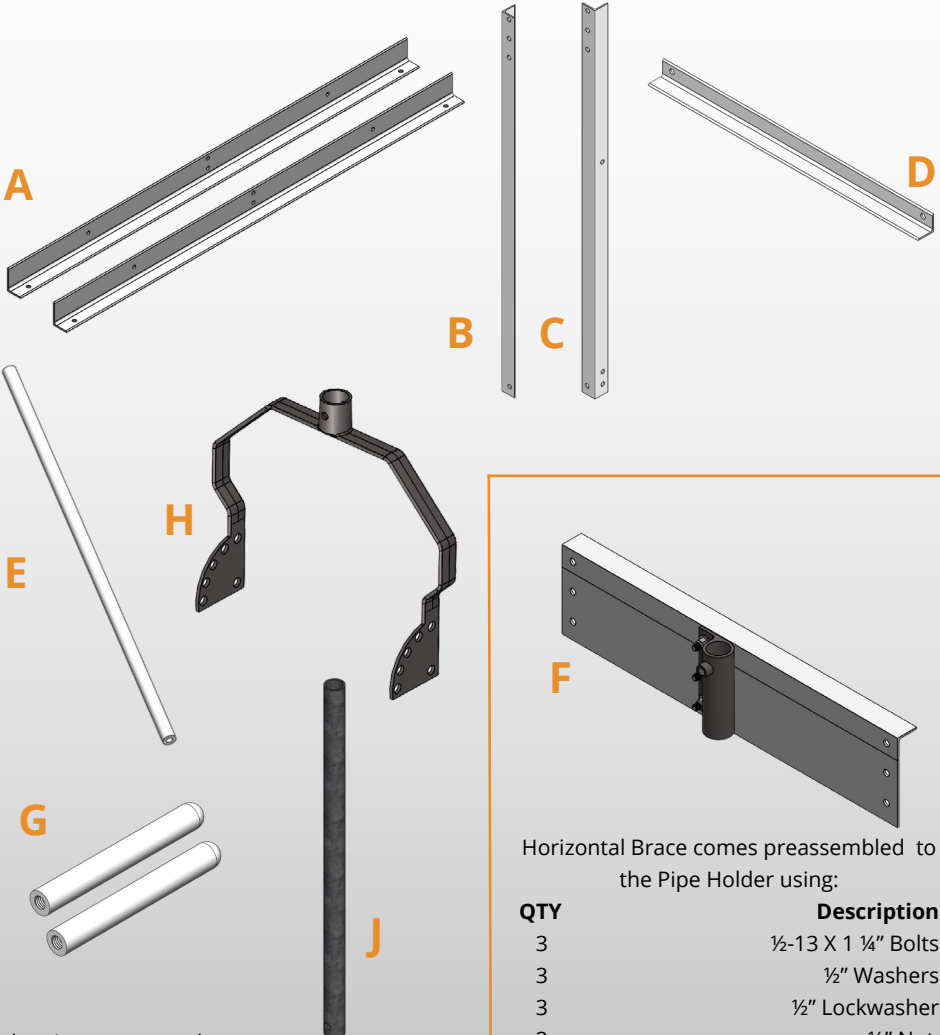
## Shallow Water Stand | Assembly Instructions



# Parts

## STAND PIECES

| QTY | DESCRIPTION  |
|-----|--|
| A   | 2 Foot (angle): 2" x 3" x 60"                          |
| B   | 1 Left Vertical Bar (angle): 1 1/2" x 1 1/2" x 40"     |
| C   | 1 Right Vertical Bar (angle): 1 1/2" x 1 1/2" x 40"    |
| D   | 1 Bottom Horizontal Bar (angle): 1 1/2" x 1 1/2" x 26" |
| E   | 1 Support Bar: 0.75" diameter; 26"                     |
| F   | 1 Horizontal Brace                                     |
| G   | 2 Handle   |
| H   | 1 Bail   |
| J   | 1 Pipe: 1" diameter; 26 1/2"                           |



## HARDWARE

| QTY | DESCRIPTION          |
|-----|----------------------|
| 1   | 1/2-13 x 1 1/4" Bolt |
| 1   | 3/8-16 x 2 1/4" Bolt |
| 16  | 3/8-16 x 1" Bolt     |
| 14  | 3/8" Nut             |
| 28  | 3/8" Flat Washer     |
| 16  | 3/8" Lockwashers     |

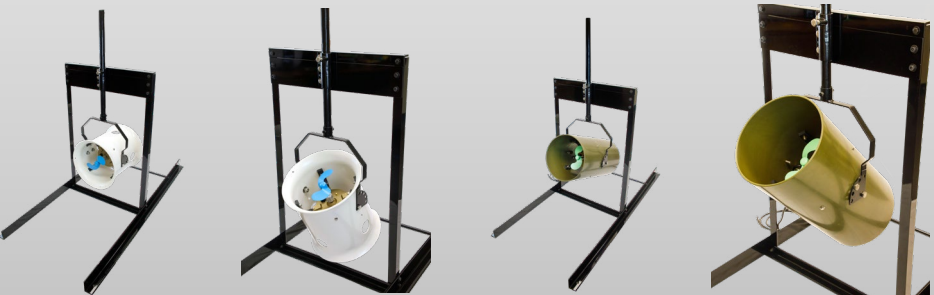
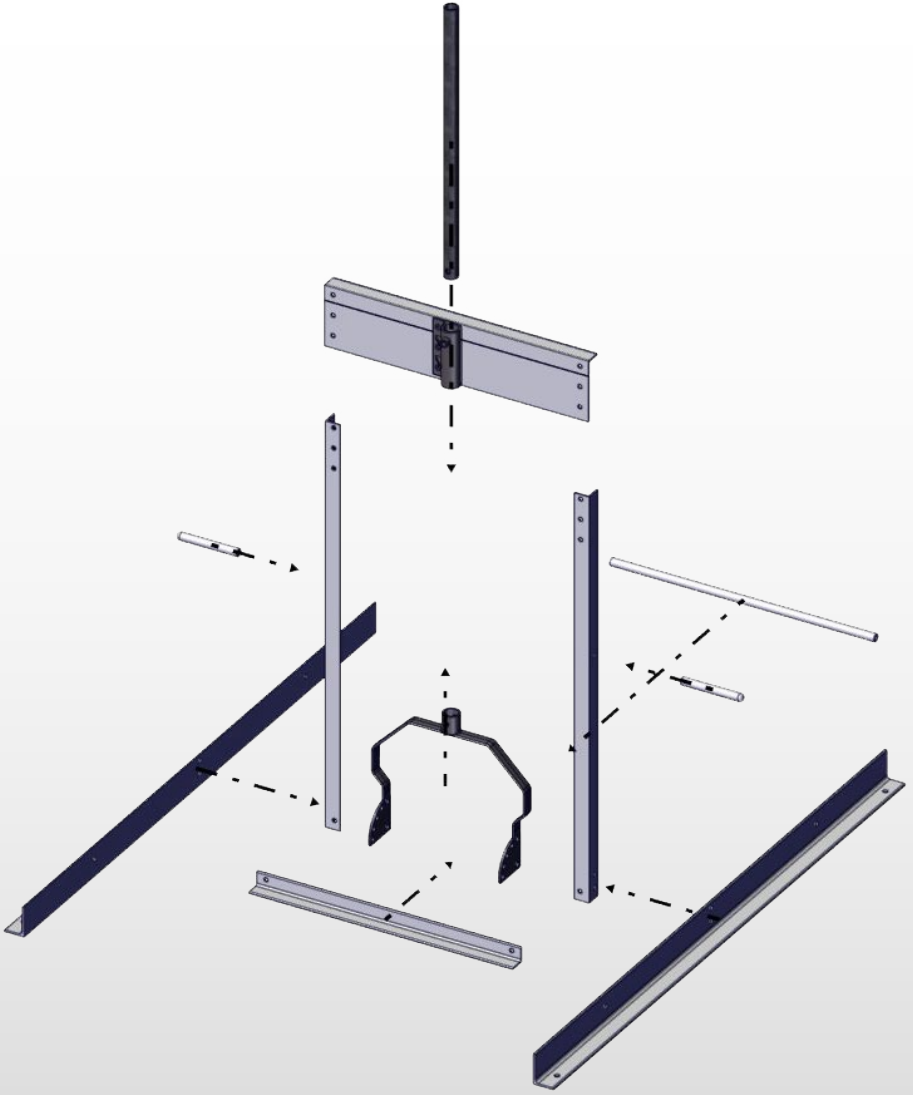
Horizontal Brace comes preassembled to the Pipe Holder using:

| QTY | Description           |
|-----|-----------------------|
| 3   | 1/2-13 X 1 1/4" Bolts |
| 3   | 1/2" Washers          |
| 3   | 1/2" Lockwasher       |
| 3   | 1/2" Nut              |

\*drawings not to scale

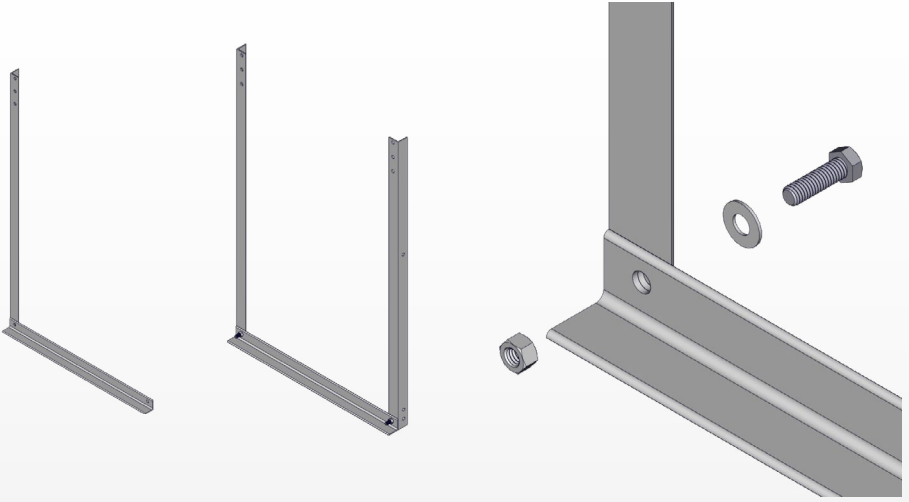
\*(2) 3/16" wrenches for assembly (not included)

# Frame



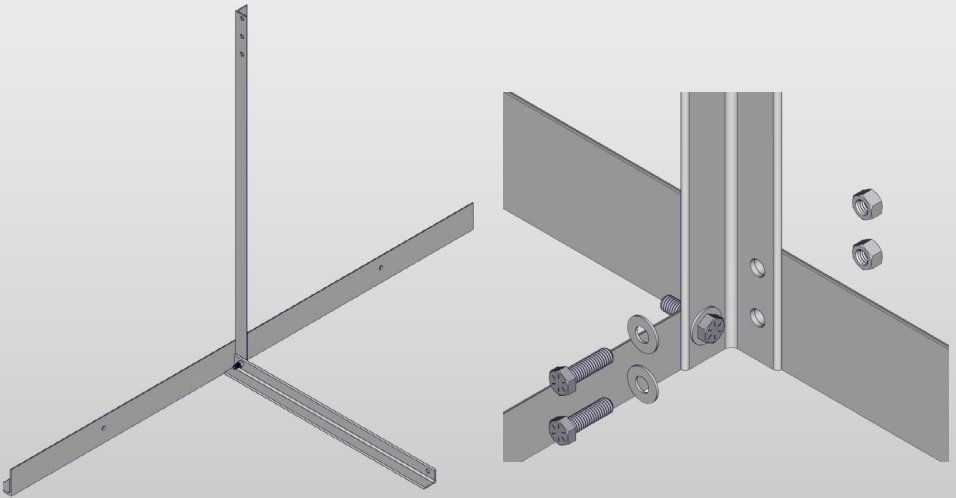
## Step One:

Attach the Bottom Horizontal Bar (D) to the Left Vertical Bar (B) and Right Vertical Bar (C) with  $\frac{3}{8}$ "-16 x 1" bolts, washers & nuts.



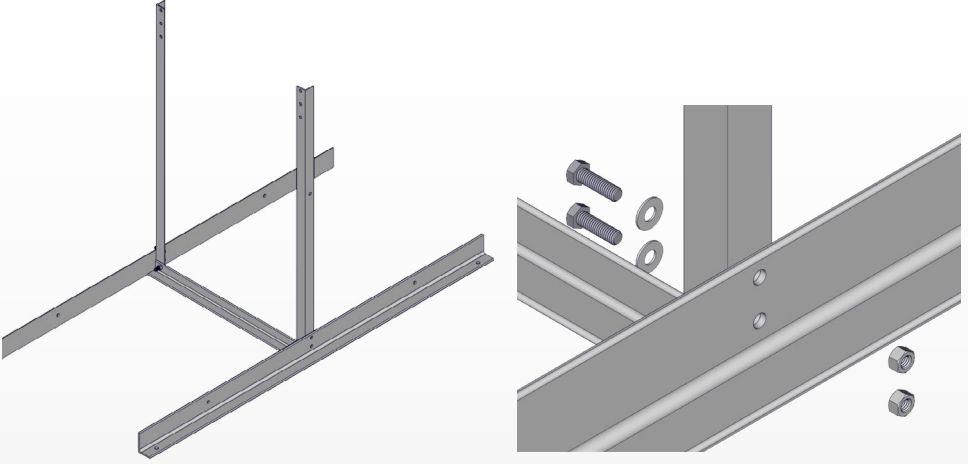
## Step Two:

Attach Foot (A) with  $\frac{3}{8}$ "-16 x 1" bolts, washers & nuts.



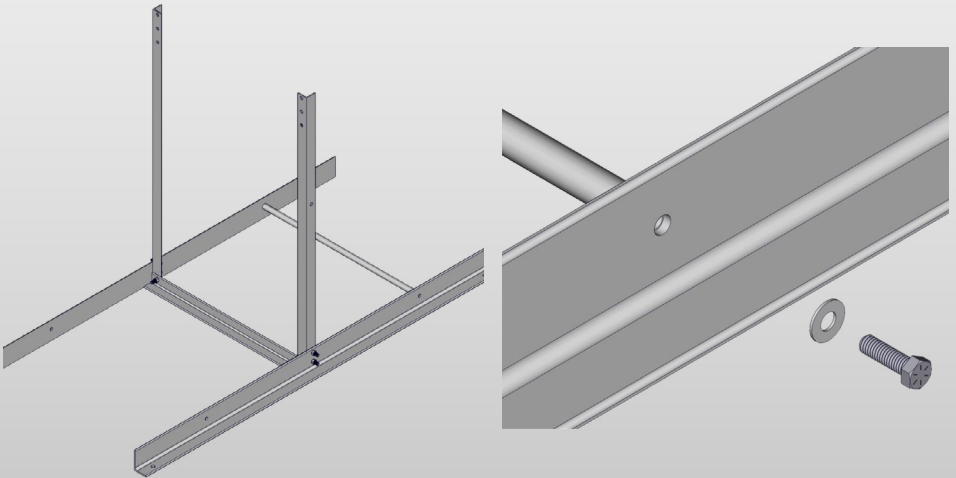
## Step Three:

Attach Foot (A) with  $\frac{3}{8}$ "-16 x 1" bolts, washers & nuts.



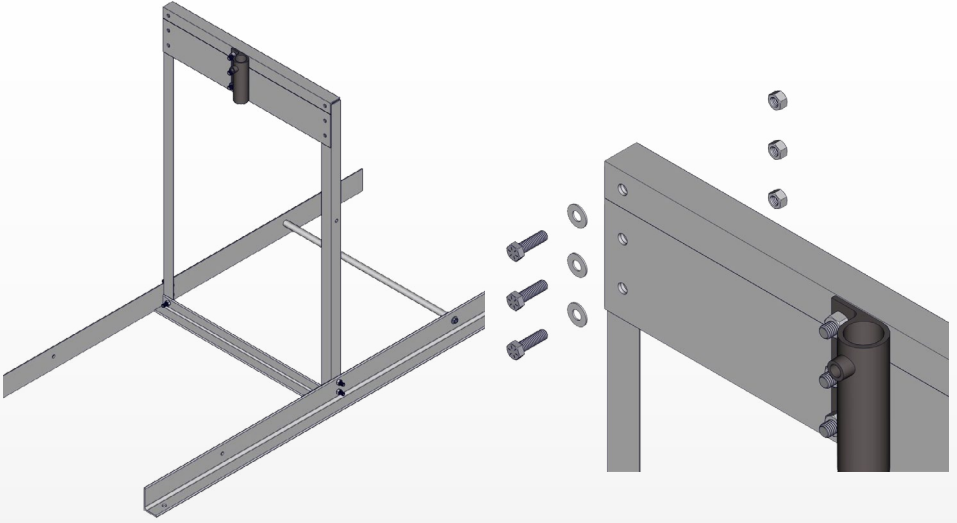
## Step Four:

Attach Support Bar (E) to the Left and Right Feet with  $\frac{3}{8}$ "-16 x 1" bolts & washers.



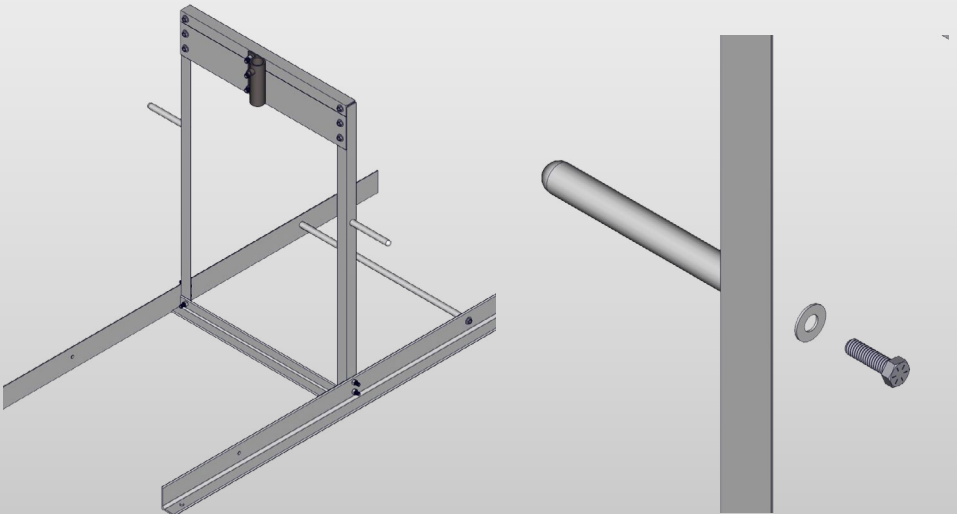
## Step Five:

Attach Horizontal Brace (F) to the Left Vertical Bar (B) and Right Vertical Bar (C) with  $\frac{3}{8}$ "-16 x 1" bolts, washers & nuts.



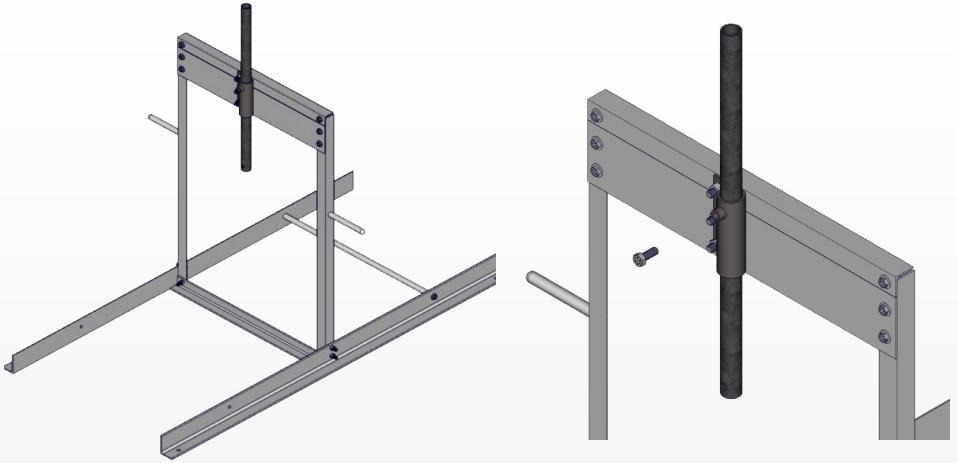
## Step Six:

Attach Handles (G) to the Left and Right Vertical Bars with  $\frac{3}{8}$ "-16 x 1" bolts & washers.



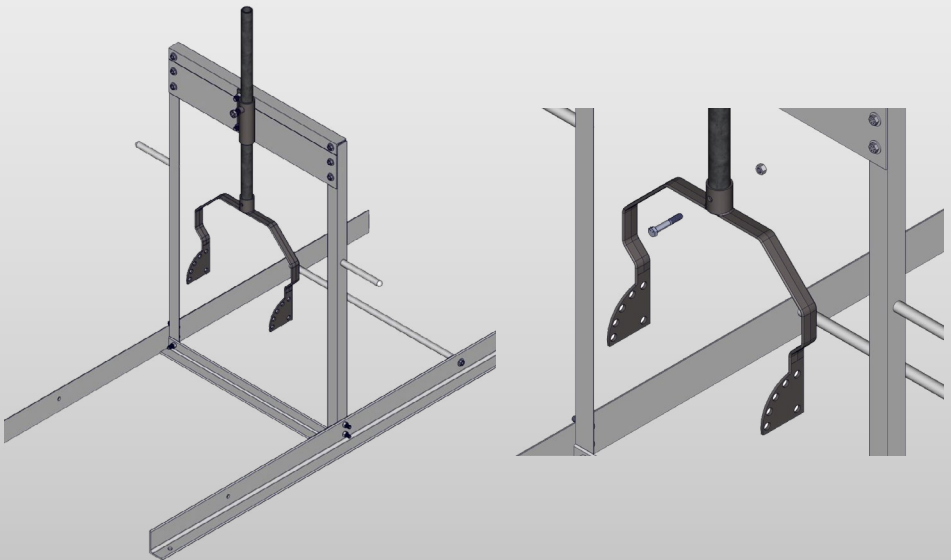
## Step Seven:

Slide Pipe (J) into Horizontal Brace (F) and secure with the  $\frac{1}{2}$ "-13 x 1  $\frac{1}{4}$ " Bolt.



## Step Eight:

- Slide Bail (H) onto pipe (J), aligning the holes.
- Attach Bail (H) into Pipe (J), with a  $\frac{3}{8}$ "-16 x 2  $\frac{1}{4}$ " bolt and nut.





**BEARON AQUATICS**

ICE EATERS | OLYMPUS FOUNTAINS | POWER HOUSE AERATION

**WARNING:** This product contains lead, a chemical known to the State of California to cause cancer and birth defects or other reproductive harm.

---

10233 SOUTH DOLFIELD RD • OWINGS MILLS, MARYLAND 21117  
410-654-9700 • [aquaticsinfo@bearonmfg.com](mailto:aquaticsinfo@bearonmfg.com)