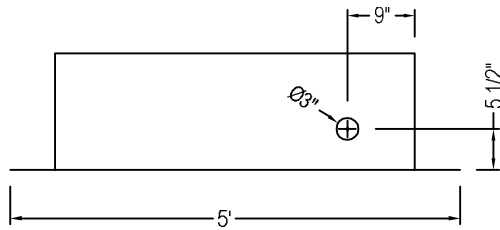




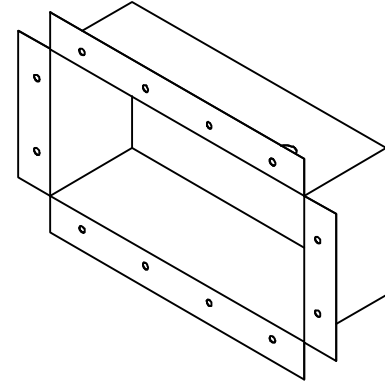
ATLANTIC WATER GARDENS
 4494 ORCHARD ST.
 MANTUA, OH 44255
 TOLL FREE: 1-877-807-6637
 PHONE: (330) 274-8317
 FAX: (330) 274-8790
 www.atlanticwatergardens.com

SELECT DESIRED COLOR:

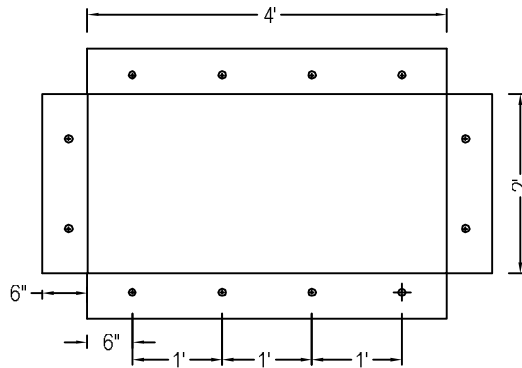
- TAN
- GREY



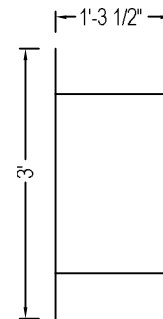
PLAN ELEVATION



ISOMETRIC



FRONT ELEVATION

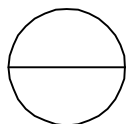


SIDE ELEVATION

MODEL	DESCRIPTION	FOR USE WITH	CAPACITY	BULKHEAD	WARRANTY
FF4216 T/G/B	FLEXIBLE HARDSCAPE BASIN	SCUPPERS & WALL SPOUTS ONLY	80 GALLONS	1 1/2" WITH BACKING PLATE	1-YEAR
FF6216 T/G/B	FLEXIBLE HARDSACPE BASIN	SCUPPERS & WALL SPOUTS ONLY	120 GALLONS	(2) 1 1/2" WITH BACKING PLATES	1-YEAR
FF8216 T/G/B	FLEXIBLE HARDSACPE BASIN	SCUPPERS & WALL SPOUTS ONLY	160 GALLONS	(2) 1 1/2" WITH BACKING PLATES	1-YEAR

NOTES:

1. INSTALLATION TO BE COMPLETED IN ACCORDANCE WITH MANUFACTURER'S SPECIFICATIONS.
2. NOTE TO ARCHITECT, SCALE DRAWING IN AUTOCAD MODEL SPACE.
3. THIS DRAWING IS INTENDED FOR USE BY ARCHITECTS, ENGINEERS, CONTRACTORS, CONSULTANTS AND DESIGN PROFESSIONALS FOR PLANNING PURPOSES ONLY. THIS DRAWING MAY NOT BE USED FOR CONSTRUCTION.
4. ALL INFORMATION CONTAINED HEREIN WAS CURRENT AT THE TIME OF DEVELOPMENT BUT MUST BE REVIEWED AND APPROVED BY THE PRODUCT MANUFACTURER TO BE CONSIDERED ACCURATE.
5. CONTRACTOR'S NOTE: FOR PRODUCT AND COMPANY INFORMATION VISIT www.CADdetails.com/info AND ENTER REFERENCE NUMBER 4158-016



FLEXIBLE HARDSCAPE BASINS

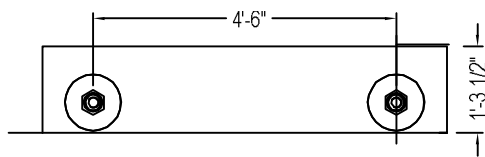
4' FLEXIBLE HARDSCAPE BASIN (FF4216)



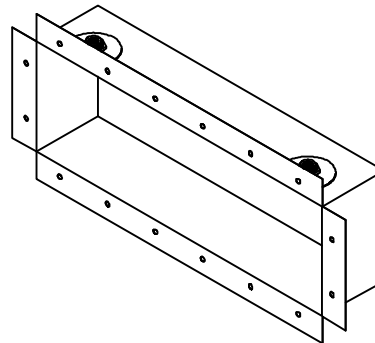
ATLANTIC WATER GARDENS
 4494 ORCHARD ST.
 MANTUA, OH 44255
 TOLL FREE: 1-877-807-6637
 PHONE: (330) 274-8317
 FAX: (330) 274-8790
 www.atlanticwatergardens.com

SELECT DESIRED COLOR:

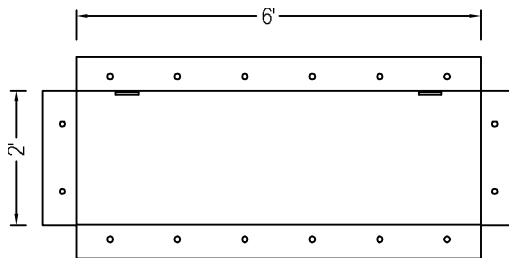
- TAN
- GREY



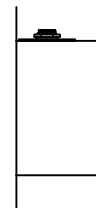
PLAN ELEVATION



ISOMETRIC



FRONT ELEVATION

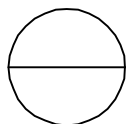


SIDE ELEVATION

MODEL	DESCRIPTION	FOR USE WITH	CAPACITY	BULKHEAD	WARRANTY
FF4216 T/G/B	FLEXIBLE HARDSCAPE BASIN	SCUPPERS & WALL SPOUTS ONLY	80 GALLONS	1 1/2" WITH BACKING PLATE	1-YEAR
FF6216 T/G/B	FLEXIBLE HARDSACPE BASIN	SCUPPERS & WALL SPOUTS ONLY	120 GALLONS	(2) 1 1/2" WITH BACKING PLATES	1-YEAR
FF8216 T/G/B	FLEXIBLE HARDSACPE BASIN	SCUPPERS & WALL SPOUTS ONLY	160 GALLONS	(2) 1 1/2" WITH BACKING PLATES	1-YEAR

NOTES:

1. INSTALLATION TO BE COMPLETED IN ACCORDANCE WITH MANUFACTURER'S SPECIFICATIONS.
2. NOTE TO ARCHITECT, SCALE DRAWING IN AUTOCAD MODEL SPACE.
3. THIS DRAWING IS INTENDED FOR USE BY ARCHITECTS, ENGINEERS, CONTRACTORS, CONSULTANTS AND DESIGN PROFESSIONALS FOR PLANNING PURPOSES ONLY. THIS DRAWING MAY NOT BE USED FOR CONSTRUCTION.
4. ALL INFORMATION CONTAINED HEREIN WAS CURRENT AT THE TIME OF DEVELOPMENT BUT MUST BE REVIEWED AND APPROVED BY THE PRODUCT MANUFACTURER TO BE CONSIDERED ACCURATE.
5. CONTRACTOR'S NOTE: FOR PRODUCT AND COMPANY INFORMATION VISIT www.CADdetails.com/info AND ENTER REFERENCE NUMBER 4158-017



FLEXIBLE HARDSCAPE BASINS

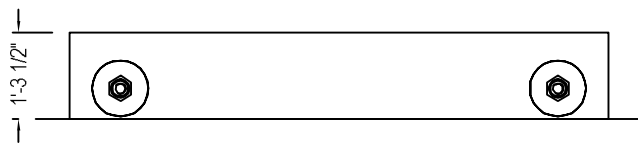
6' FLEXIBLE HARDSCAPE BASIN (FF6216)



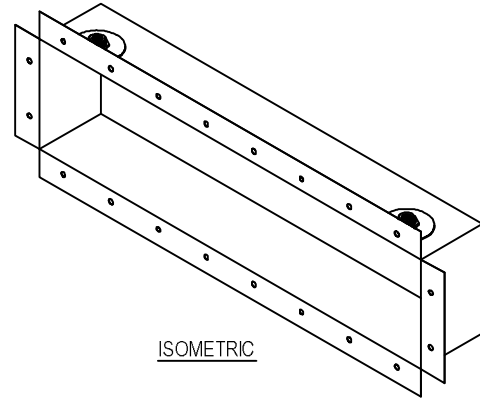
ATLANTIC WATER GARDENS
 4494 ORCHARD ST.
 MANTUA, OH 44255
 TOLL FREE: 1-877-807-6637
 PHONE: (330) 274-8317
 FAX: (330) 274-8790
 www.atlanticwatergardens.com

SELECT DESIRED COLOR:

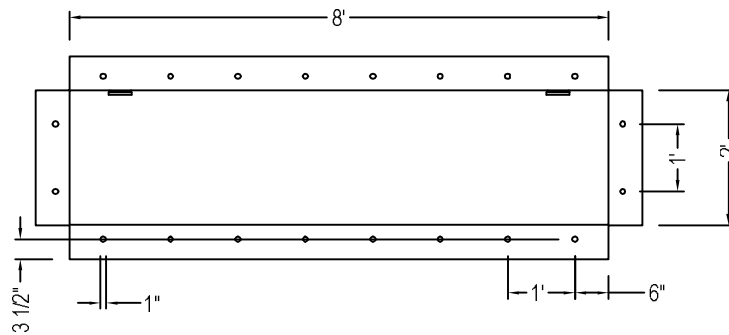
- TAN
- GREY



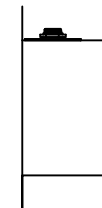
PLAN ELEVATION



ISOMETRIC



FRONT ELEVATION

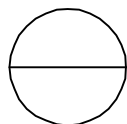


SIDE ELEVATION

MODEL	DESCRIPTION	FOR USE WITH	CAPACITY	BULKHEAD	WARRANTY
FF4216 T/G/B	FLEXIBLE HARDSCAPE BASIN	SCUPPERS & WALL SPOUTS ONLY	80 GALLONS	1 1/2" WITH BACKING PLATE	1-YEAR
FF6216 T/G/B	FLEXIBLE HARDSACPE BASIN	SCUPPERS & WALL SPOUTS ONLY	120 GALLONS	(2) 1 1/2" WITH BACKING PLATES	1-YEAR
FF8216 T/G/B	FLEXIBLE HARDSACPE BASIN	SCUPPERS & WALL SPOUTS ONLY	160 GALLONS	(2) 1 1/2" WITH BACKING PLATES	1-YEAR

NOTES:

1. INSTALLATION TO BE COMPLETED IN ACCORDANCE WITH MANUFACTURER'S SPECIFICATIONS.
2. NOTE TO ARCHITECT, SCALE DRAWING IN AUTOCAD MODEL SPACE.
3. THIS DRAWING IS INTENDED FOR USE BY ARCHITECTS, ENGINEERS, CONTRACTORS, CONSULTANTS AND DESIGN PROFESSIONALS FOR PLANNING PURPOSES ONLY. THIS DRAWING MAY NOT BE USED FOR CONSTRUCTION.
4. ALL INFORMATION CONTAINED HEREIN WAS CURRENT AT THE TIME OF DEVELOPMENT BUT MUST BE REVIEWED AND APPROVED BY THE PRODUCT MANUFACTURER TO BE CONSIDERED ACCURATE.
5. CONTRACTOR'S NOTE: FOR PRODUCT AND COMPANY INFORMATION VISIT www.CADdetails.com/info AND ENTER REFERENCE NUMBER 4158-018

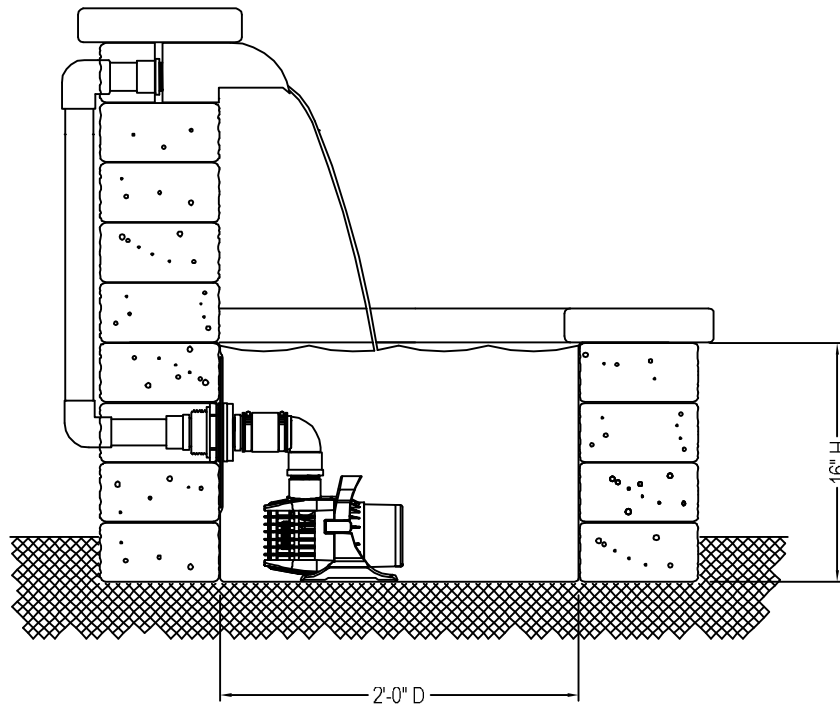


FLEXIBLE HARDSCAPE BASINS

8' FLEXIBLE HARDSCAPE BASIN (FF8216)



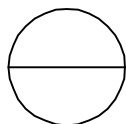
ATLANTIC WATER GARDENS
 4494 ORCHARD ST.
 MANTUA, OH 44255
 TOLL FREE: 1-877-807-6637
 PHONE: (330) 274-8317
 FAX: (330) 274-8790
 www.atlanticwatergardens.com



MODEL	DIMENSIONS	CAPACITY	BULKHEAD	WARRANTY
FF4216	4'-0" W X 2'-0" D X 16" H	80 GALLONS	1/12" WITH BACKING PLATE	1-YEAR
FF6216	6'-0" W X 2'-0" D X 16" H	120 GALLONS	(2) 1/12" WITH BACKING PLATE	1-YEAR
FF8216	8'-0" W X 2'-0" D X 16" H	160 GALLONS	(2) 1/12" WITH BACKING PLATE	1-YEAR

NOTES:

1. INSTALLATION TO BE COMPLETED IN ACCORDANCE WITH MANUFACTURER'S SPECIFICATIONS.
2. NOTE TO ARCHITECT, SCALE DRAWING IN AUTOCAD MODEL SPACE.
3. THIS DRAWING IS INTENDED FOR USE BY ARCHITECTS, ENGINEERS, CONTRACTORS, CONSULTANTS AND DESIGN PROFESSIONALS FOR PLANNING PURPOSES ONLY. THIS DRAWING MAY NOT BE USED FOR CONSTRUCTION.
4. ALL INFORMATION CONTAINED HEREIN WAS CURRENT AT THE TIME OF DEVELOPMENT BUT MUST BE REVIEWED AND APPROVED BY THE PRODUCT MANUFACTURER TO BE CONSIDERED ACCURATE.
5. CONTRACTOR'S NOTE: FOR PRODUCT AND COMPANY INFORMATION VISIT www.CADdetails.com/info AND ENTER REFERENCE NUMBER 4158-039



FLEXIBLE HARDSCAPE BASINS

FLEXIBLE HARDSCAPE BASIN INSTALLATION DETAIL