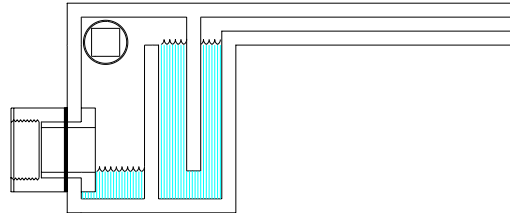


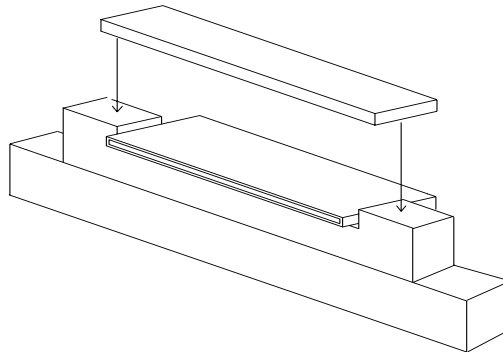
# Colorfalls

## LIGHTED FALLS

Atlantic Water Gardens is pleased to introduce ColorFalls- the first lighted weir specifically designed for water features.



- Internal baffles break the water turbulence to help produce Colorfalls sheer decent. These baffles hold water when the pump is turned off or disconnected. In Northern climates, Colorfalls must be **removed and fully drained** in the winter to prevent damage from freezing.
- Colorfalls is intended for use in pond-free or treated water applications. Traditional water gardens contain large amounts of organic debris. **This debris can build up over time and affect the water flow through the baffles.**
- Colorfalls will not pass solids larger that 3/16” in diameter. Additional filtration may be required.
- The rear inlet on the Colorfalls is sensitive to over tightening and can crack if over tightend please take caution when installing.



- **The Colorfalls weir can support up to 40 lbs. per linear foot. If the weight on the weir exceeds that amount, you will need to provide extra support. Top weight must be supported and free-span the unit.**

### Specifications

MODEL: CF36  
VOLTAGE: 12v  
WATTS: 30w  
INLET: 1 ¼” fipt  
FLOW RATE: 3000gph

MODEL: CF24  
VOLTAGE: 12v  
WATTS: 20w  
INLET: 1 ¼” fipt  
FLOW RATE: 2000gph

MODEL: CF12  
VOLTAGE: 12v  
WATTS: 10w  
INLET: 1 ¼” fipt  
FLOW RATE: 1000gph

Figure 1



Figure 2



Figure 3



Figure 4



Figure 5



Figure 6



Figure 7



Figure 8



Figure 9

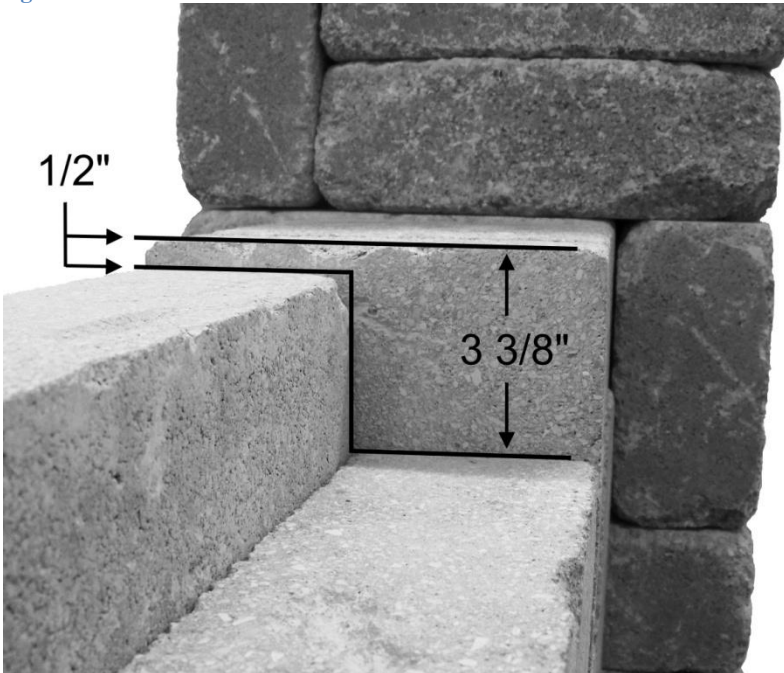


---

Ensure that you leave an access point to the Colorfalls for periodic maintenance. The access needs to be large enough for the removal of the Colorfalls weir.

---

Figure 10



---

Ensure that both the lip extension and the base of the Colorfalls are supported from below.

---

---

Ensure the opening where the lip rests is level. The size of the opening is shown in figure 10. This ensures no movement or warping of the lip.

---

Figure 11



---

The Colorfalls weir can support up to 40 lbs. per linear foot. If the weight on the weir exceeds that amount, you will need to provide extra support, e.g. a lentel.

---

Figure 12

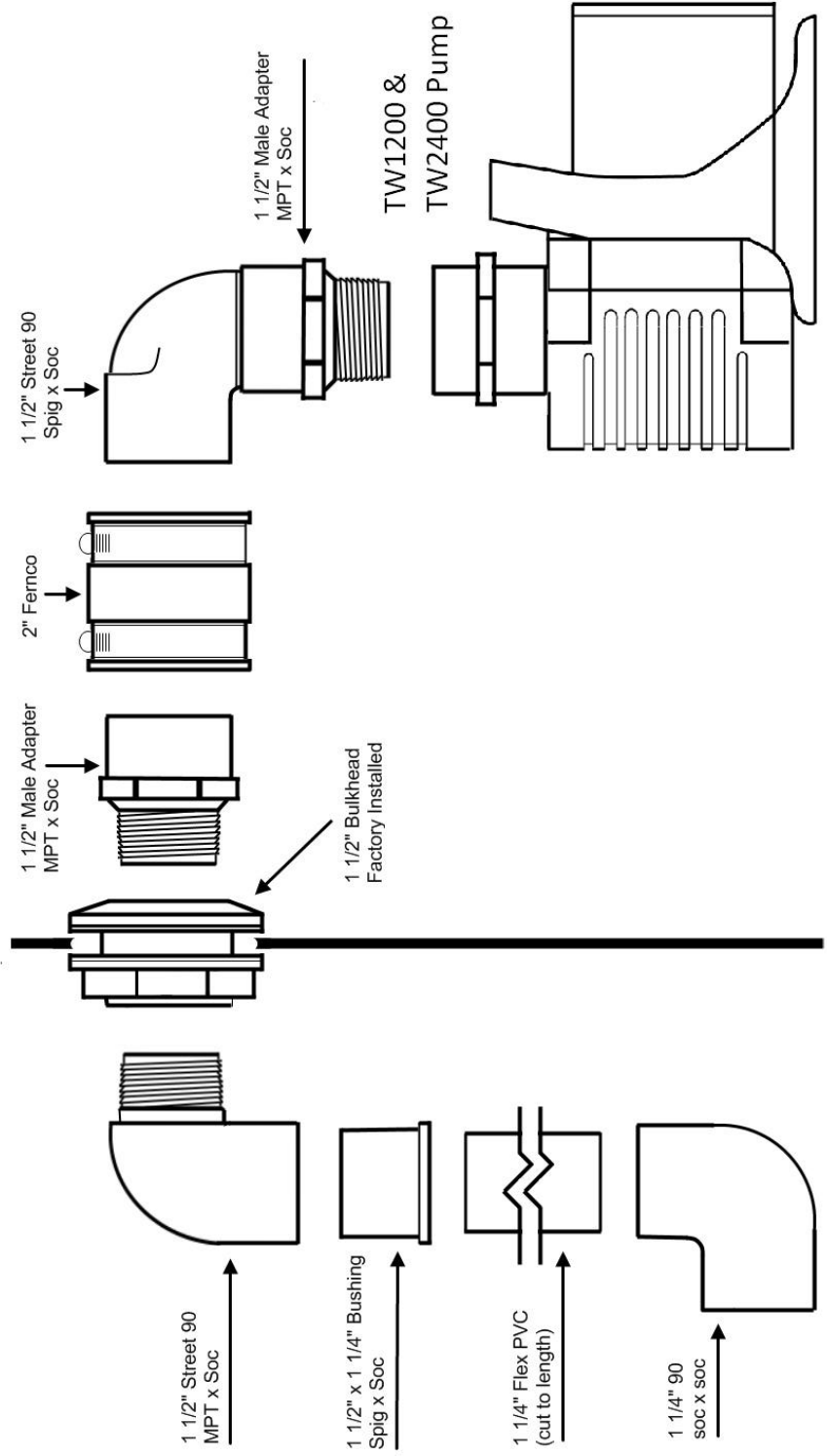


Figure 13



<b>Colorfalls</b>	<b>Recommended falls height above the basin</b>
12"	18" - 24"
24"	24" - 30"
36"	30" - 36"

# Plumbing Detail for CFKIT12 & CFKIT24



# Plumbing Detail for CFKIT36

