

CARE:

Use the included cleaning cloth to wipe the lens.

Do not disassemble the rangefinder.

WARNINGS:

- Do not look directly into the sun with the rangefinder as it can cause permanent damage to your eyes.

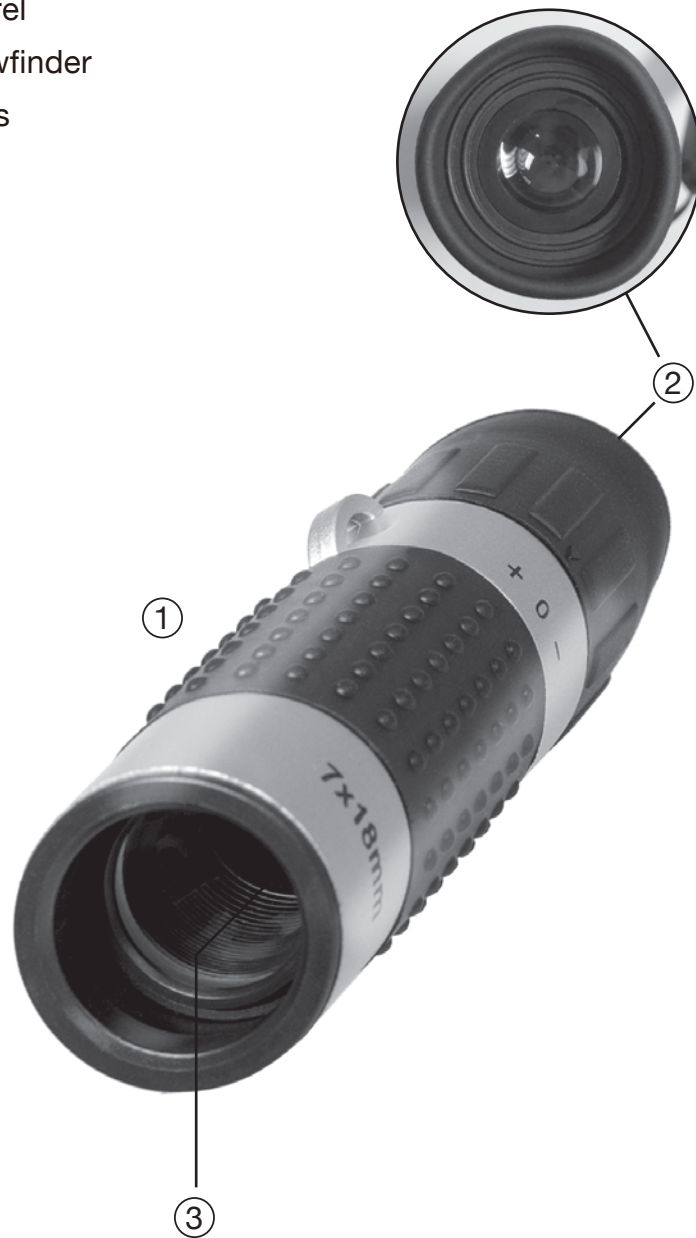
Instruction Manual**GOLF
RANGEFINDER™**

Read through this entire instruction manual BEFORE using the **Golf Rangefinder**. We're dedicated to bringing you well-designed products that make living fun and easy. We stand behind all our products and warrant this to be free from defects in workmanship and materials.

For service claims or questions please consult our website **ProtocolDesign.com**.

PARTS:

1. Barrel
2. Viewfinder
3. Lens



HOW TO USE:

1. Use your left hand to hold the barrel of the rangefinder and look through the viewfinder.
2. With your right hand, twist the viewfinder until the image becomes clear.
3. Looking through viewfinder, align the horizontal line marked GREEN to the bottom of the flagstick.
4. The numbers that are at the top of the flagstick is the distance. With this knowledge, you can now select your club.