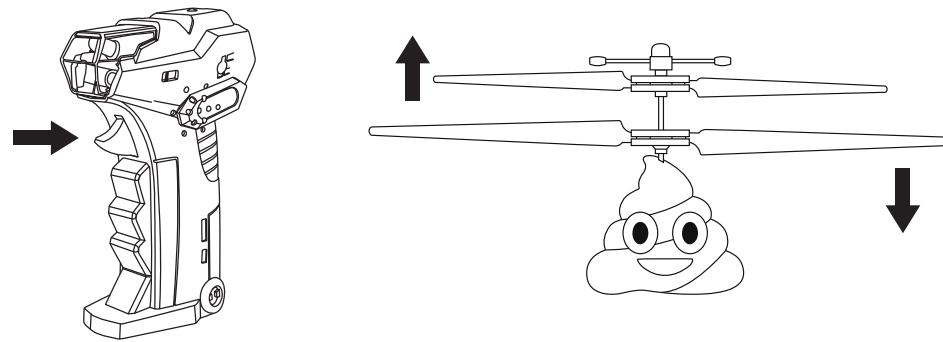


HOW TO USE:

1. Make sure your hand is NOT on the throttle.
2. Turn on the remote and then the copter.
3. Place the copter on an even surface or hold in your hand making sure your fingers are clear of the blades.
4. Slowly press on throttle. If the copter is in your hand, release as the blades start to rotate.
5. Use the throttle to control the up or down motion of the copter. The copter will drift around the room. Make sure to avoid obstacles.

**SAFETY:**

Precautionary Safety Warnings:

- This copter is designed for indoor use.
- Read and follow instructions on how to synchronize electronics before each flight.
- To prevent damage to people or property, always avoid contact with other objects while in flight.
- Inspect aircraft prior to each flight and do not fly if damaged.
- Never expose product or any of its electronic parts to moisture, water, or heat sources.
- Charge device in a cool, dry place and under adult supervision. Never leave the device unattended while charging.
- To prevent overheating, allow battery a cool-down period before recharging.
- To prolong engine life, allow a cool-down period between flights.
- Use only the charger and/or charging cable that is supplied with this item.
- Do not strike, cut, or pierce the internal battery or subject it to hard impacts.
- Do not mix old and new batteries or mix different types of batteries.

THIS DEVICE USES COMPONENTS THAT OPERATE AT HIGH SPEEDS. AS WITH ANY SUCH DEVICE, USE CAUTION TO OPERATE SAFELY.

FAILURE TO FOLLOW ANY OF THESE GUIDELINES MAY RESULT IN BODILY INJURY OR DAMAGE TO PERSONAL OR PUBLIC PROPERTY.

Instruction Manual

R/C POO COPTER
**BROWN PIE
 IN THE SKY™**



Read through this entire instruction manual BEFORE using the **Brown Pie In The Sky**. We're dedicated to bringing you well-designed products that make living fun and easy. We stand behind all our products and warrant this to be free from defects in workmanship and materials.

For service claims or questions please consult our website **ProtocolDesign.com**.

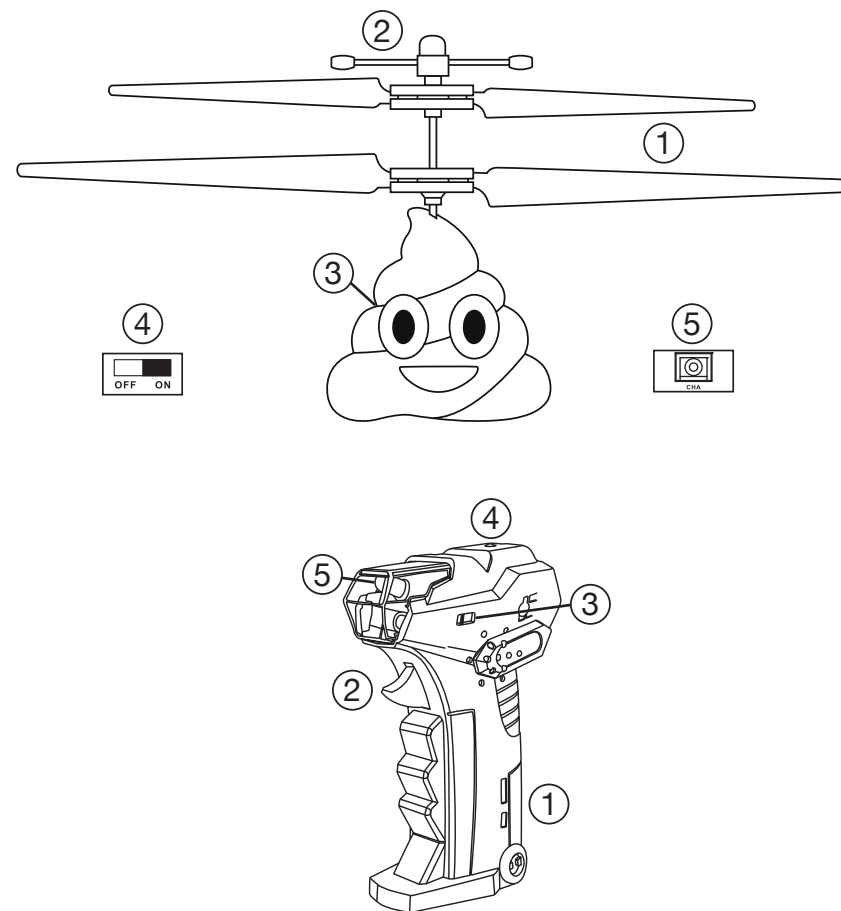
PARTS:

Brown Pie:

1. Blades
2. Balance Bar
3. Indicator Light
4. Power Switch
5. Charging Socket

Remote:

1. Battery Compartment
2. Throttle
3. Power Switch
4. Indicator Light
5. Infrared Sensor

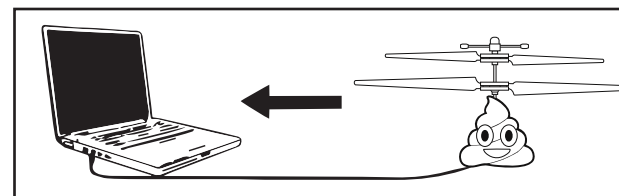
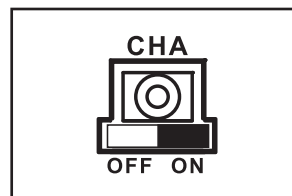


BATTERY CHARGING AND INSTALLATION:

Brown Pie:

1. Make sure the power is switched to OFF.
2. Plug the USB charging cord into the charging socket and then plug into a USB port.
3. The indicator light on the copter will glow red while charging and will turn off once charged.
4. Charging time is 25 minutes for 6 minutes of flight.

DO NOT CHARGE OVERNIGHT OR BEYOND THE CHARGING TIME STATED. DO NOT LEAVE BATTERY UNATTENDED.



Caution When Charging

1. When charging, place product on a dry, well-ventilated surface and keep away from heat sources.
2. Always use adult supervision while charging.
3. In order to increase battery longevity, avoid repeat charging and excessive discharging.
4. As battery temperature is high immediately after flight, charge after cooling down for higher efficiency.
5. Do not strike or subject battery to hard impacts or sharp surfaces.
6. Do not use any other charger than that which is supplied with this item.
7. Do not use or leave battery near a heat source such as fire or space heater; exposure to heat may result in reduced performance or in some cases dangerous conditions.
8. If battery is left in charging state for an extended period of time after being fully charged, the battery may automatically discharge.
9. Never leave the battery unattended during charging.
10. Do not disassemble battery.
11. Do not submerge battery in water.

BATTERY CHARGING AND INSTALLATION:

Remote:

Remove battery cover from controller. Insert 2 x 'AAA' batteries according to indicated polarities. Replace and screw back in battery cover.

1. Install batteries carefully.
2. Do not mix old and new batteries.
3. Do not mix different types of batteries.

