

Instruction Manual

7X50MM BINOCULARS™



Read through this entire instruction manual BEFORE using the **Binoculars**. We're dedicated to bringing you well-designed products that make living fun and easy. We stand behind all our products and warrant this to be free from defects in workmanship and materials.

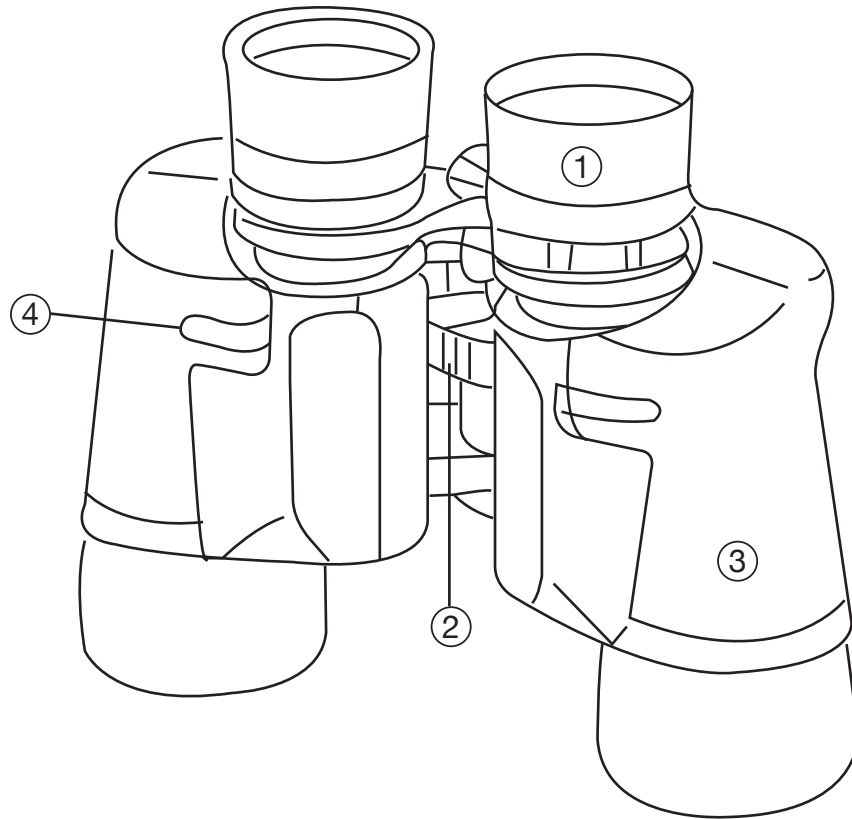
For service claims or questions please consult our website **ProtocolDesign.com**.

WARNING:

- Do not look directly into the sun with the binoculars as it can cause permanent damage to your eyes.

PARTS:

1. Right Eye Focusing Ring
2. Focusing Wheel
3. Barrel
4. Neck Strap Slots (attached the included neck strap to these slots until it is secure)



HOW TO USE:

Adjust field of view:

1. Remove the lens and eye ring caps.
2. Hold and aim the binoculars at your subject.
3. Move the barrels either apart or closer together until you have a single field of view. The subject should not be doubled.

Focus:

1. Make sure the right eye focusing ring turned all the way to the right.
2. Cover the right lens with your hand.
3. Adjust the focusing wheel while looking through the left lens until the image is at its sharpest. Keep both eyes open while making this adjustment.
4. Next, cover the left lens with your hand.
5. Adjust the right eye focusing ring while looking through the right lens until the image is at its sharpest. Keep both eyes open while making this adjustment.
6. Now, look through the binoculars with the lenses uncovered. It may take your eyes a moment to adjust but the image will come in clear.