

PROTOCOL

AIR HOVER RACER™

R/C DRONE RACER WITH DIGITAL LAP COUNTER

LAP COUNTER MANUAL

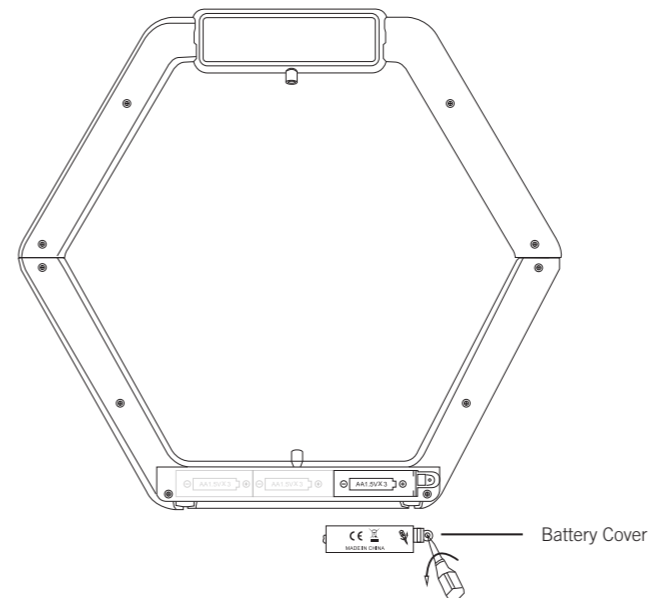
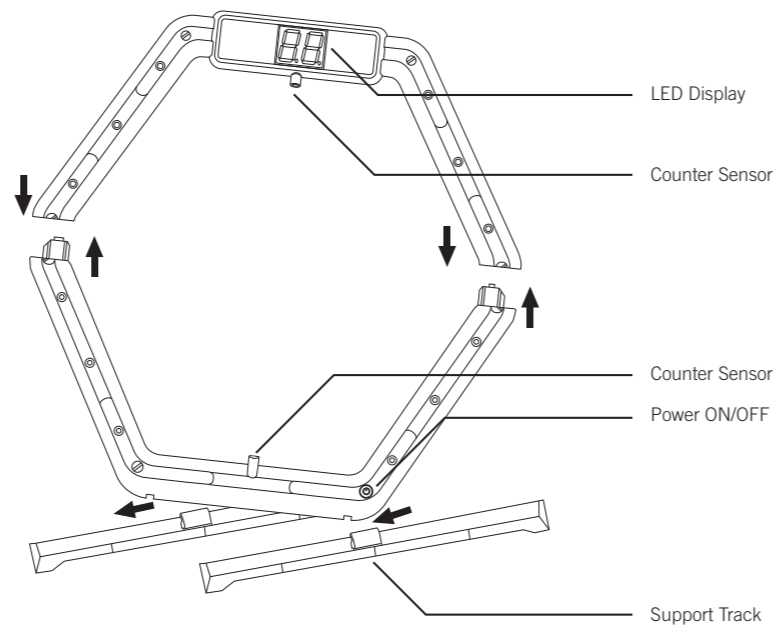
Age
14+



*Please check our website ProtocolNY.com for instructions and tips on how to fly.

Assembly

1. Connect the two halves of the lap counter together until you hear a click.
2. Slide the support tracks onto the bottom of the counter.



Battery Installation

Install 3 x 'AA' batteries according to indicated polarity.

Low Battery Indicator: The LED display does not provide a count after passing the drone through the sensor.

Install batteries carefully.
Do not mix old and new batteries.
Do not mix different types of batteries.

Use

1. Turn on the counter by pressing the power button once. Press again to turn off.
2. Power up the Air Hover Racer and fly through the counter. The LED display on the counter will keep track of the number of laps the racer completes. The display can track up to 99.
3. The lights along the counter will cycle through different flashing modes after each lap.
4. To clear out the count, turn off the counter and turn it back on.

Storage

Remove the batteries when not in use. To separate the two halves, press in on the back tabs and pull apart at the joint.

WWW.PROTOCOLNY.COM