

## Instruction Manual

# 30X300MM TELESCOPE WITH TRIPOD™



### **WARNING:**

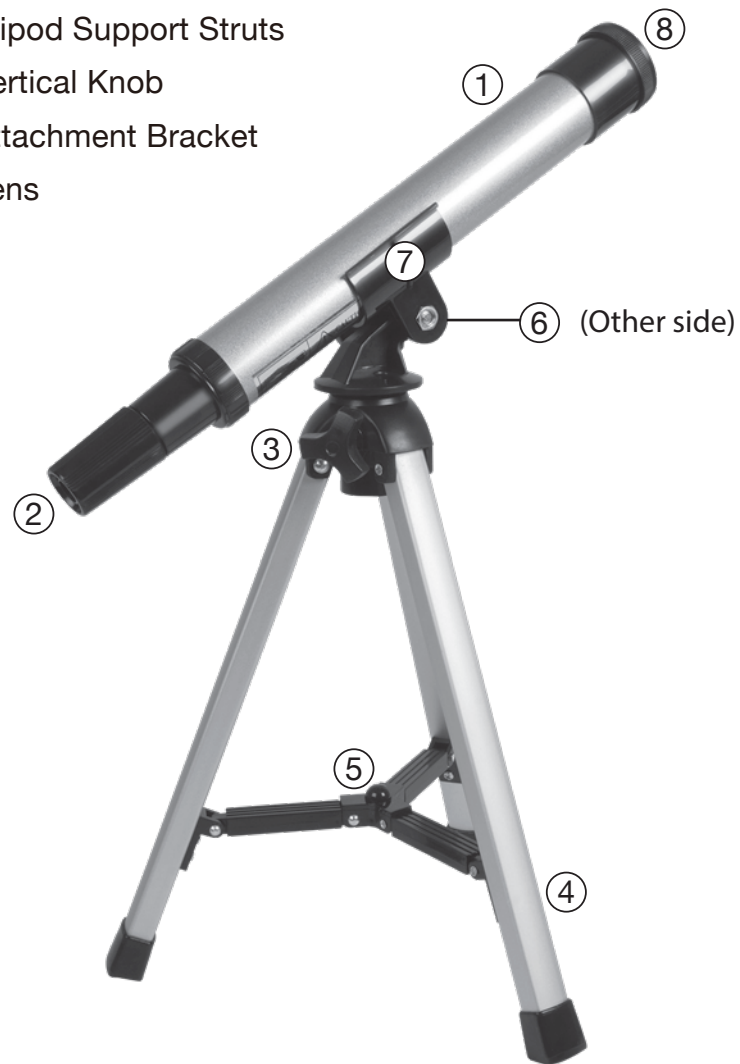
- Do not look directly into the sun with the telescope as it can cause permanent damage to your eyes.

Read through this entire instruction manual BEFORE using the **Telescope with Tripod**. We're dedicated to bringing you well-designed products that make living fun and easy. We stand behind all our products and warrant this to be free from defects in workmanship and materials.

For service claims or questions please consult our website **ProtocolDesign.com**.

## PARTS:

1. Telescope
2. Eyepiece
3. Horizontal Knob
4. Aluminum Tripod
5. Tripod Support Struts
6. Vertical Knob
7. Attachment Bracket
8. Lens



## ASSEMBLY:

1. Open the tripod and push down on the support struts to secure.
2. Push the telescope into the bracket.

## HOW TO USE:

1. Make sure to remove the cap from the lens.
2. Loosen the knobs and adjust the telescope into desired position.
3. Re-tighten knobs to secure.
4. Look through the eyepiece and push or pull it until the image is clear.